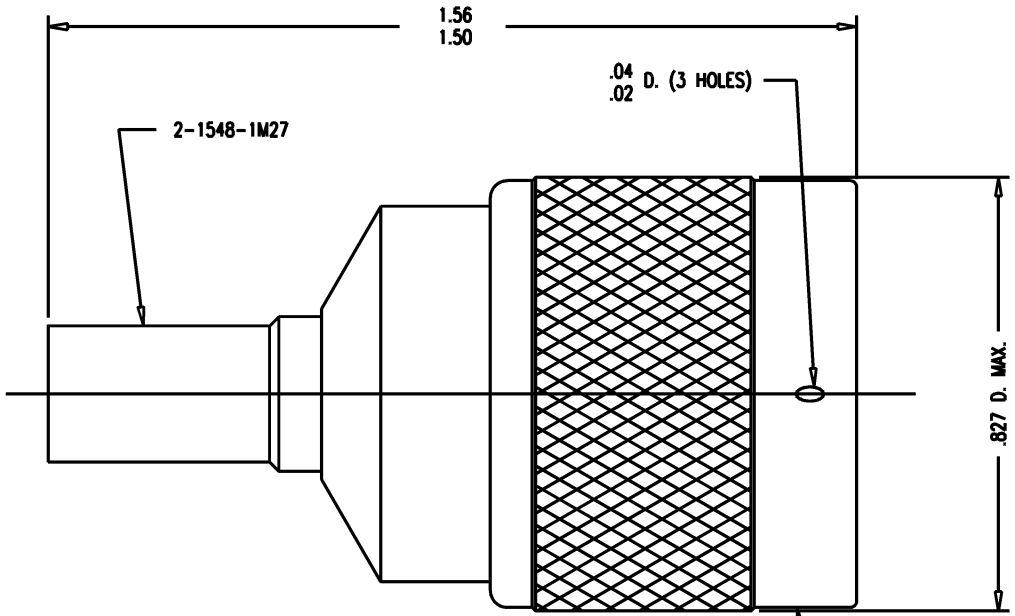


# GSD



**NOTES:**

1. FOR USE WITH BOEING S280W503-3 & ADAMS RUSSELL FC20Z CABLE.
2. FOR CABLING INSTRUCTIONS SEE 3-546-2.
3. FOR CRIMPING USE DIE KTH-2231.
4. INTERFACE PER MIL-STD-348, FIG. 304-1.
5. CENTER CONTACT (1-547-32MA9) SUPPLIED UNASSEMBLED.
6. MARK PACKAGE: HS5944-1  
1205-62-7  
91836  
XXXX (DATE CODE)
7. MATERIALS:  
INSULATOR-TEFLON, ASTM-D-4894  
OUTER CONTACT-BER. COP., ASTM-B-196  
K-GRIP SLEEVE-COMMERCIAL BRONZE, ASTM-B-135  
GASKET-SILICONE RUBBER, ZZ-R-765  
C-RING-PHOS. BRONZE, QQ-B-750  
ALL OTHER METAL PARTS-BRASS, ASTM-B16
8. FINISHES:  
CENTER CONTACT-GOLD PLATE PER MIL-G-45204  
OUTER CONTACT-SILVER PLATE PER QQ-S-365  
ALL OTHER METAL PARTS-KINGS TARNISH RESISTANT FINISH (TR-5)

STAMP: 91836 1205-62-7  
XX XX (DATE CODE)

9. ELECTRICAL CHARACTERISTICS:  
NOMINAL IMPEDANCE-50 OHMS  
FREQUENCY RANGE-DC TO 11 GHZ  
WORKING VOLTAGE-1000 VRMS  
VSWR: 1.30 MAX. .5-11 GHZ  
INSERTION LOSS: .15 dB MAX. AT 9 GHZ

10. CONNECTOR WEIGHT:  
37 GRAMS (.082 lb).

CN 38710 C

DCT REVISIONS

1205-62-7

ISSUE	CHANGES
0	ER 37070 AR 07/18/96
1	CN 38710 C DCT 6/23/3
2	CN 39695 C PMC 11/13/06

SCALE 4:1	
APPROX SURFACE AREA	
USED ON	
REF: McD. DOUGLAS HS5944-1 REV. -	
<b>PLUG, N</b>	
DRAWN AR	DATE 07/18/96
DESIGN AR	DATE 07/18/96
APPR.	DATE

**KINGS**  
ELECTRONICS CO., INC.  
ROCK HILL, SOUTH CAROLINA 29730

1205-62-7

# GSD