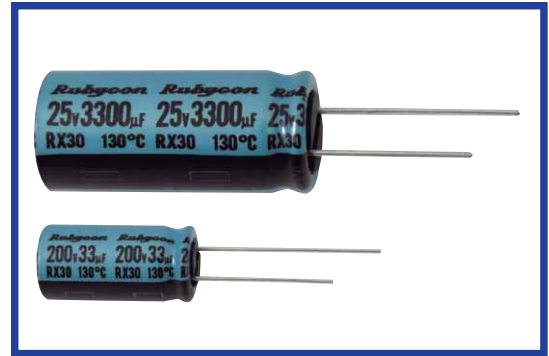


RX30 SERIES

Load Life : 130°C 1000~4000 hours.

◆FEATURES

- For Electronic Ballast of CFL, For Power Supply.
- RoHs compliance



◆SPECIFICATIONS

Items	Characteristics		
Category Temperature Range	-40~+130°C	-25~+130°C	
Rated Voltage Range	10~100V.DC	200,400V.DC	
Capacitance Tolerance	±20%(20°C,120Hz)		
Leakage Current(MAX)	I=0.01CV or 3µA whichever is greater. (After 2 minutes application of rated voltage)	CV≤1000	
		CV>1000	
		I=0.1CV+40µA (1 minute) I=0.03CV+15µA (5 minutes)	
		I=0.04CV+100µA (1 minute) I=0.02CV+25µA (5 minutes)	
	I=(µA) Leakage Current	C=(µF) Rated Capacitance	
		V=(V) Rated Voltage	
(tanδ) Dissipation Factor(MAX)	Rated Voltage 10 16 25 35 50 63 100 200 400 (20°C,120Hz)		
	tanδ 0.20 0.16 0.14 0.12 0.10 0.09 0.08 0.15 0.20		
	When rated capacitance is over 1000µF, tanδ shall be added 0.02 to the listed value with increase of every 1000µF.		
Endurance	After life test with rated ripple current at conditions stated in the table below, the capacitors shall meet the following requirements.		
		10~100WV	
		200,400WV	
	Capacitance Change	Within ±30% of the initial value.	Within ±20% of the initial value.
Dissipation Factor	Not more than 300% of the specified value.	Not more than 200% of the specified value.	
Leakage Current	Not more than the specified value.		
	Case Size	(hrs) Life Time	
		10~100WV	
	φD=6.3	—	1000
	φD=8, 10	2000	2000
	φD≥12.5	4000	—
Low Temperature Stability Impedance Ratio(MAX)	Rated Voltage 10 16 25 35 50 63 100 200 400 (120Hz)		
	Z(-25°C)/Z(20°C) 3 2 2 2 2 2 2 3 6		
	Z(-40°C)/Z(20°C) 6 4 3 3 3 3 3 — —		

◆MULTIPLIER FOR RIPPLE CURRENT

Frequency Coefficient
10WV~100WV

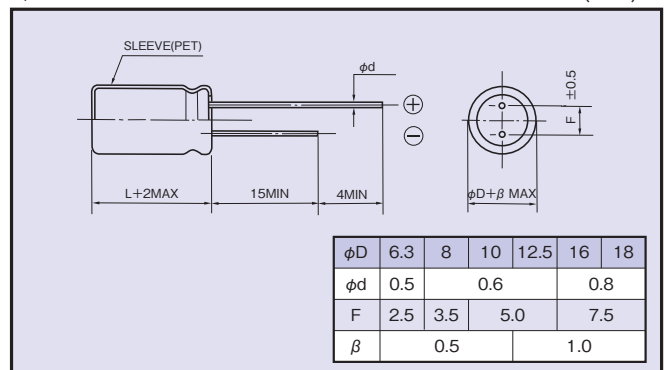
(Hz)	Frequency	60(50)	120	1k	10k	100k≤
Coefficient	1~4.7µF	0.35	0.42	0.60	0.80	1.00
	10~33µF	0.45	0.55	0.75	0.90	1.00
	47~330µF	0.60	0.70	0.85	0.95	1.00
	470~1500µF	0.65	0.75	0.90	0.98	1.00
	2200~4700µF	0.75	0.80	0.95	1.00	1.00

200WV,400WV

(Hz)	Frequency	120	1k	10k	100k≤
Coefficient	1~5.6µF	0.20	0.40	0.80	1.00
	6.8~15µF	0.30	0.60	0.90	1.00
	22~33µF	0.50	0.80	0.90	1.00

◆DIMENSIONS

(mm)



◆PART NUMBER

□□□ RX30 □□□□□ M □□□ □□ D×L
 Rated Voltage Series Rated Capacitance Capacitance Tolerance Option Lead Forming Case Size

◆OPTION

	Code
PET Sleeve	Blank

◆STANDARD SIZE

Rated Voltage (V·DC)	Rated capacitance (μF)	Size φD×L(mm)	Rated ripple current (mA r.m.s./130°C, 100kHz)	(Ω MAX) Impedance	
				20°C, 100kHz	
10 (1A)	330	8×11.5	360	0.22	
	470	10×12.5	620	0.15	
	1000	10×20	960	0.073	
	2200	12.5×25	1430	0.040	
	3300	16×25	1900	0.038	
	4700	16×31.5	2300	0.034	
16 (1C)	330	8×11.5	360	0.22	
	470	10×12.5	620	0.15	
	1000	10×20	960	0.073	
	2200	12.5×25	1430	0.040	
	3300	16×31.5	2300	0.034	
	4700	16×35.5	2550	0.031	
25 (1E)	220	8×11.5	360	0.22	
	330	10×12.5	620	0.15	
	470	10×16	800	0.10	
	1000	12.5×20	1100	0.055	
	2200	16×31.5	2300	0.034	
35 (1V)	3300	16×35.5	2550	0.031	
	100	8×11.5	360	0.22	
	220	10×12.5	620	0.15	
	330	10×16	800	0.10	
	470	10×20	960	0.073	
50 (1H)	1000	12.5×25	1430	0.040	
	2200	16×35.5	2550	0.031	
	3300	18×35.5	2800	0.028	
	1	8×11.5	35	2.5	
	2.2	8×11.5	50	1.8	
	3.3	8×11.5	70	1.3	
	4.7	8×11.5	100	0.85	
	10	8×11.5	200	0.60	
63 (1J)	22	8×11.5	260	0.35	
	33	8×11.5	300	0.28	
	47	8×11.5	300	0.28	
	100	10×12.5	520	0.18	
	220	10×20	890	0.082	
	330	12.5×20	1000	0.065	
	470	12.5×25	1200	0.051	
	1000	16×31.5	2180	0.037	
	2200	18×40	2800	0.029	
	100 (2A)	33	8×11.5	250	0.40
		47	10×12.5	400	0.27
		100	10×16	450	0.20
220		12.5×20	820	0.10	
330		12.5×25	1000	0.072	
470		16×25	1500	0.069	
1000		16×31.5	1850	0.056	
1500		18×40	2350	0.043	
100 (2A)	4.7	8×11.5	100	1.3	
	10	8×11.5	200	1.0	
	22	8×11.5	220	0.67	
	33	10×12.5	260	0.45	
	47	10×16	330	0.33	
	100	12.5×20	670	0.17	
	220	16×25	1100	0.13	
	330	16×31.5	1300	0.10	
	470	18×31.5	1600	0.092	

Rated Voltage (V·DC)	Rated capacitance (μF)	Size φD×L(mm)	Rated ripple current (mA r.m.s./130°C, 100kHz)
200 (2D)	4.7	6.3×11	100
		8×11.5	120
	5.6	8×11.5	130
		8×16	180
	6.8	8×11.5	130
		8×16	180
	10	8×16	200
		8×20	240
15	8×16	200	
		240	
	22	8×20	240
33	10×16	240	
	10×20	320	
400 (2G)	1	6.3×11	60
		8×11.5	65
	1.5	8×11.5	75
		8×16	80
	1.8	8×11.5	75
		8×16	85
	2.2	8×11.5	75
		8×16	90
	2.7	8×20	110
		8×16	95
	3.3	8×20	115
		8×16	100
	4.7	8×20	120
		10×16	125
5.6	10×16	130	
	10×20	145	
6.8	10×20	150	