

Customer Information Sheet

DRAWING No.: M50-310XX45

SHEET 3 OF 3

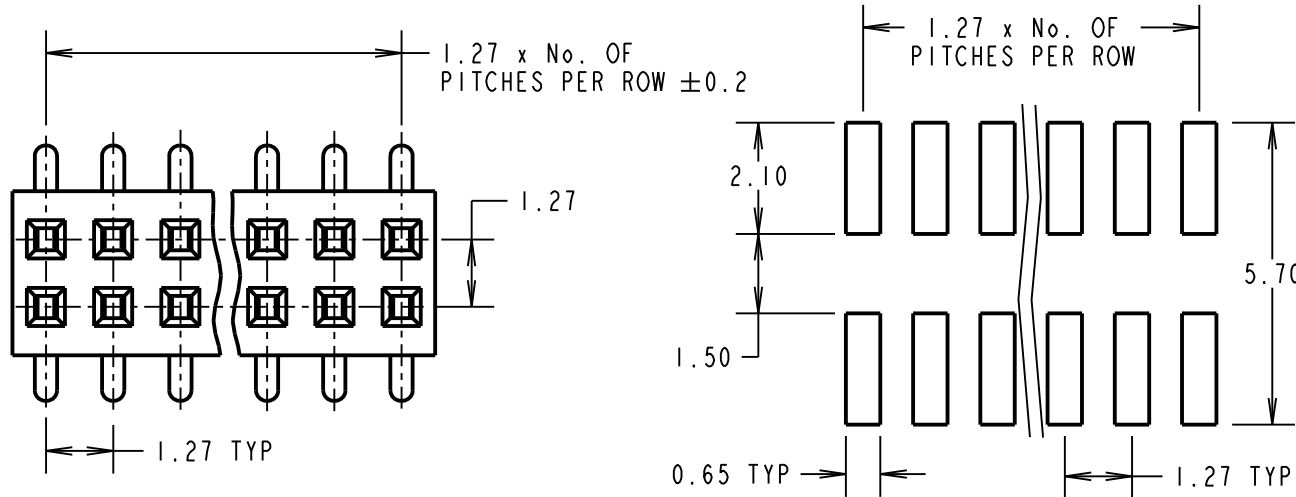
IF IN DOUBT - ASK

Ⓒ

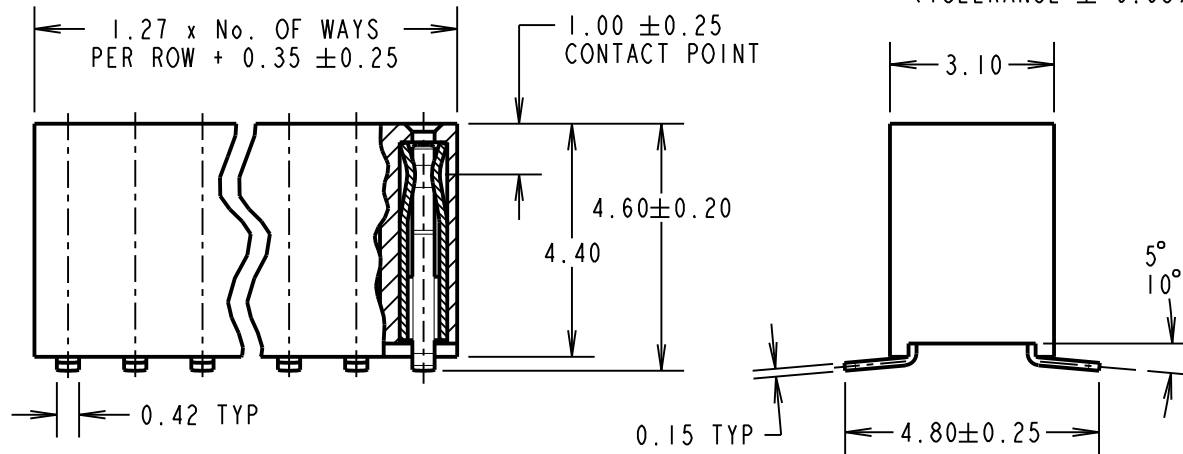
NOT TO SCALE

THIRD ANGLE PROJECTION

ALL DIMENSIONS IN mm



RECOMMENDED PCB LAYOUT
(TOLERANCE ± 0.05)



SPECIFICATIONS:

MATERIAL:

MOULDING = NYLON 6T UL94V-0, BLACK

CONTACT = PHOSPHOR BRONZE

FINISH:

CONTACT = GOLD

ELECTRICAL:

VOLTAGE RATING = 250V AC/DC

CURRENT RATING = 1A

VOLTAGE PROOF = 300V AC, 500V DC FOR 1 MINUTE

CONTACT RESISTANCE = 20 MILLIOHMS MAX

INSULATION RESISTANCE = 500MΩ MIN

MECHANICAL:

DURABILITY = 100 CYCLES

INSERTION FORCE = 2N MAX PER CONTACT

WITHDRAWAL FORCE = 0.15N MAX PER CONTACT

ENVIRONMENTAL:

OPERATING TEMPERATURE = -40°C TO +105°C

PACKING:

TUBE

FOR COMPLETE SPECIFICATION, SEE COMPONENT SPECIFICATION C029XX (LATEST ISSUE)

NOTES:

1. ALL TOLERANCES ARE ±0.12 UNLESS OTHERWISE STATED.

ORDER CODE:

M50-310XX45

No. OF WAYS PER ROW
03 TO 50

FINISH: GOLD

SM	7	18.11.10	11013
NAME	ISS.	DATE	C/NOTE
APPROVED: S. MCCULLAGH			
CHECKED: R. ADDE			
DRAWN: J. ENRIGHT			
CUSTOMER REF.:			
ASSEMBLY DRG:			

HARWIN

HARWIN USA
TEL: 603 893 5376
FAX: 603 893 5396
mis@harwin.com

HARWIN Europe (UK)
TEL: 023 9231 4545
FAX: 023 9231 4590
mis@harwin.co.uk

HARWIN Asia
TEL: +65 6 779 4909
FAX: +65 6 779 3868
mis@harwin.com.sg

THIS DRAWING AND ANY INFORMATION OR DESCRIPTIVE MATTER SET OUT HEREON ARE CONFIDENTIAL AND COPYRIGHT PROPERTY OF THE HARWIN GROUP AND MUST NOT BE DISCLOSED, LOANED, COPIED OR USED FOR MANUFACTURING, TENDERING OR FOR ANY OTHER PURPOSE WITHOUT THEIR WRITTEN PERMISSION.

TOLERANCES

X = ±1mm
X.X = ±0.25mm
X.XX = ±0.10mm
X.XXX = ±0.01mm
ANGLES = ±5°
UNLESS STATED

MATERIAL:

SEE ABOVE

FINISH:

SEE ABOVE

S/AREA:

mm²

TITLE:

1.27mm PITCH DIL
VERTICAL SMT SOCKET ASSY

DRAWING NUMBER:

M50-310XX45

SHT
3
OF
3