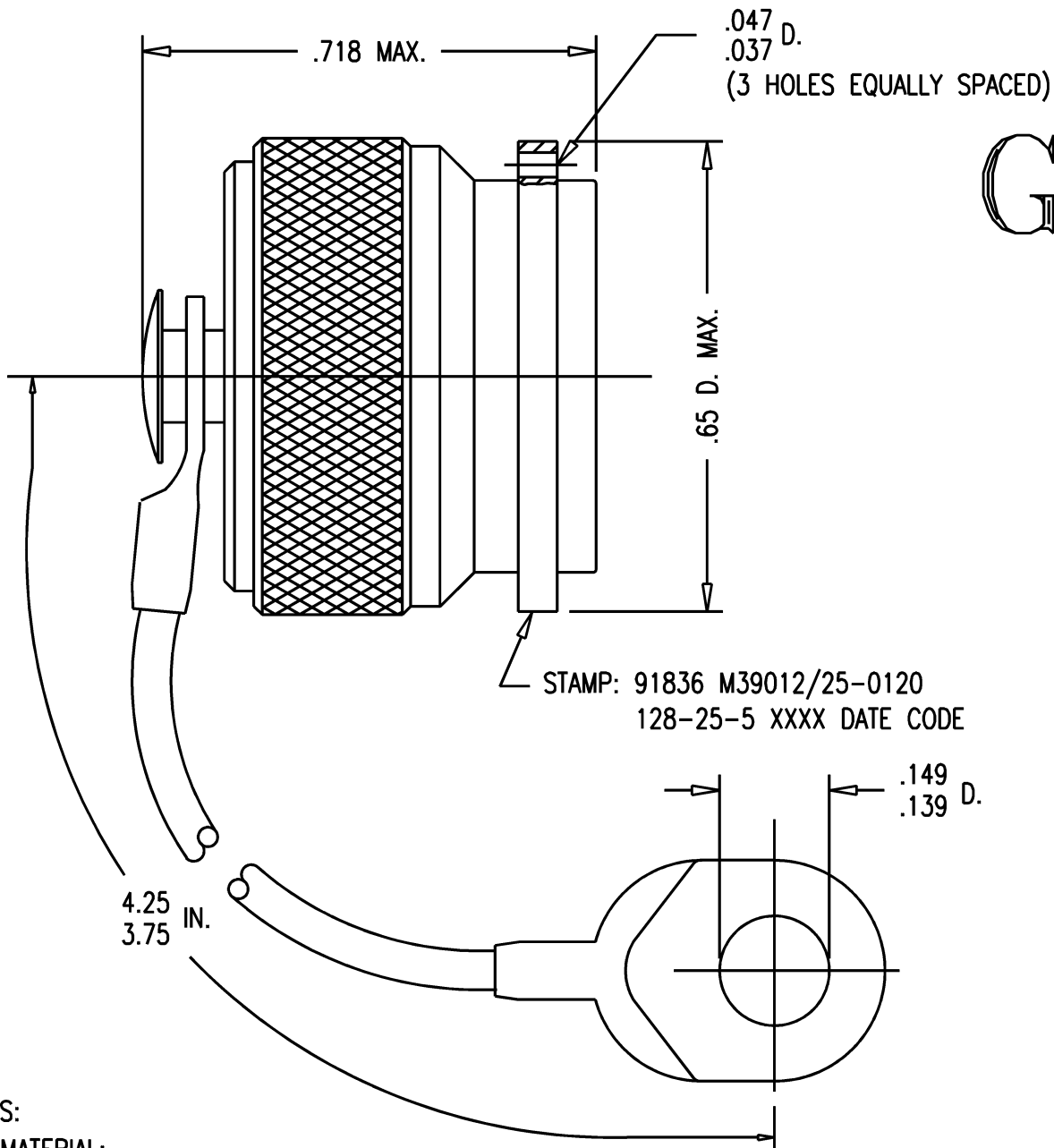


M39012/25-0120



GSD

REVISIONS	
ISSUE	CHANGES
0	ER 35812 KH 09/02/94
128-25-5	KAM3867

SCALE 4:1	
APPROX SURFACE AREA	
WAS: E-18256	
USED ON	
REF:	
CAP & WIRE ROPE TNC, (M)	
DRAWN KH	DATE 09/02/94
DESIGN CT	DATE 09/06/94
APPR. VLS	DATE 09/06/94

NOTES:

- MATERIAL:
 - GASKET-SILICONE RUBBER, ZZ-R-765
 - WIRE ROPE-NYLON EXTRUDED INSULATION OVER CRES, PER MIL-W-83420.
 - TERMINAL LUGS-ST. STEEL, QQ-S-763
 - ALL OTHER METAL PARTS-BRASS, ASTM-B16
- FINISHES:
 - TERMINAL LUGS-PASSIVATE PER QQ-P-35
 - ALL OTHER METAL PARTS- SILVER PLATE PER QQ-S-365

GSD

KINGS
ELECTRONICS CO., INC.
TUCKAHOE, NEW YORK 10707

M39012/25-0120