

## Low Profile SM Resistance Weld Crystal

# HC49LD

The HC49LD series is a miniature AT or BT cut strip resonator crystal housed in low profile for surface mounting. The parts present a proven metal package technology with a precision molded base and universal contact configuration.

### Specifications:

**Frequency Range:** 3.2 MHz ~ 40 MHz Fundamental  
24 MHz ~ 70 MHz Overtone

**Operating Temperature:** 0°C ~ +50°C -A  
-10°C ~ +60°C -B  
-20°C ~ +70°C -C  
-40°C ~ +85°C -L

**Storage Temperature:** -55°C ~ +125°C

**Frequency Tolerance:** ± 50 ppm -50  
(at 25°C) ± 30 ppm -30  
± 20 ppm -20  
± 10 ppm -10

**Frequency Stability:** ± 50 ppm -50  
(over temperature range) ± 30 ppm -30  
± 20 ppm -20  
± 10 ppm -10

**Circuit Condition:** 10 pF ~ 32 pF or series

**Equivalent Series Resistance:** Maximum resistance corresponds to frequency. Please see ESR table.

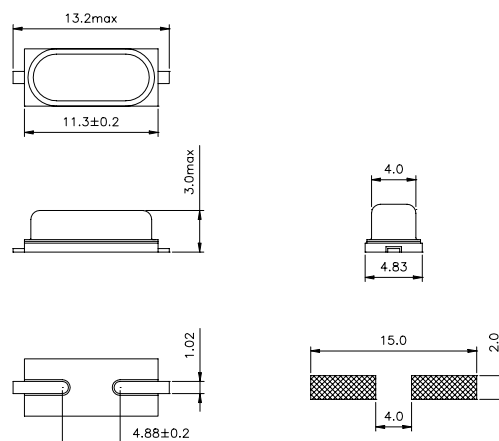
**Drive Level:** 1.0 mW max

**Shunt Capacitance:** 7 pF max

**Aging:** ± 5 ppm max per year

**Optional Features:** Fundamental -F  
3<sup>rd</sup>, 5<sup>th</sup>, 7<sup>th</sup> O.T. -3,5,7  
Tape & Reel -TR

### HC-49LD



All dimensions are in mm

### Ordering Information

Product name + CL + Operating Temperature Range + Tolerance + Stability + Other Code + Frequency.

i.e. HC49LD-20-C-30-30-F-24.000MHz

#### Note:

- Other frequencies, tolerances, stabilities, and operating temperature ranges available. Consult VTC Support for specific requirements.
- Not all combinations of the above tolerances, stabilities, and temperature ranges are available. Consult VTC Support if your requirement is not standard.
- All specifications subject to change without notice.