

# 1000 BASE –T DUAL PORT MAGNETICS MODULES

## P/N: GS5012 DATA SHEET

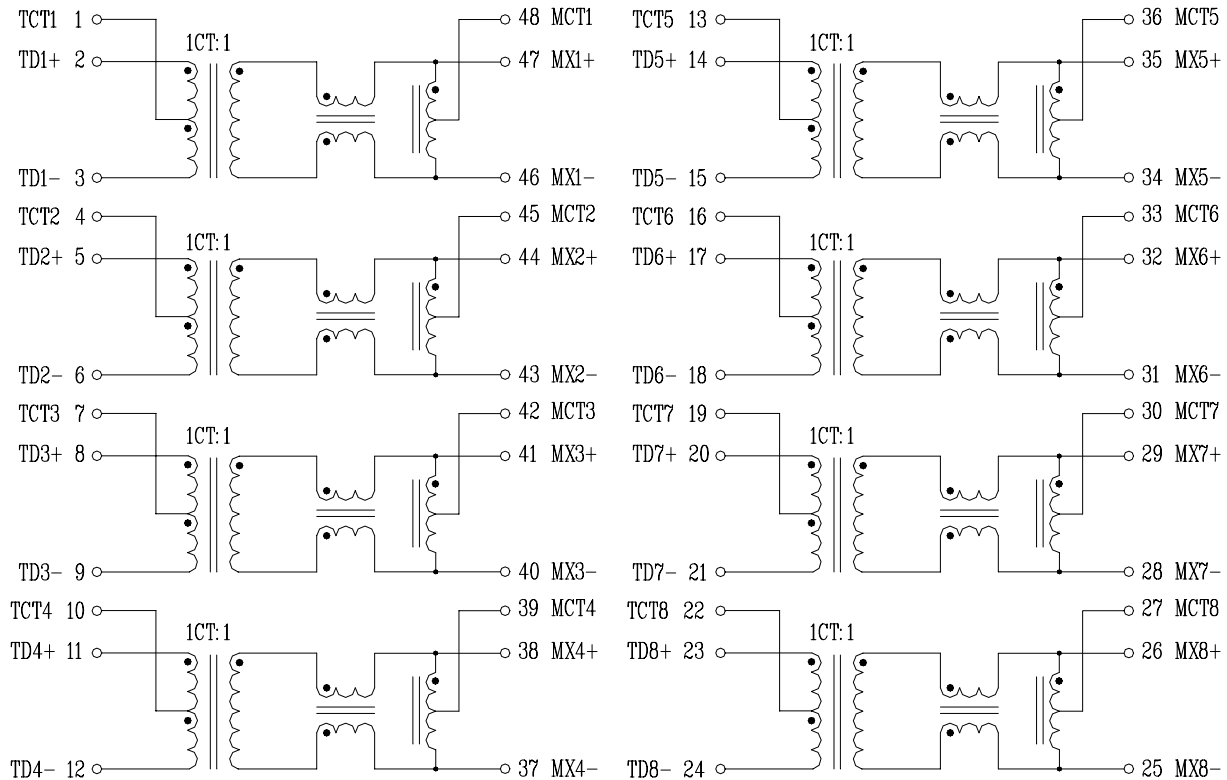
### Feature



- Designed for Ethernet 100/1000 BASE-T, full duplex applications.
- Supports 8 pairs of category 5 UTP cable.
- Cable interface for isolation and low common mode emissions.
- Compliant with IEEE 802.3ab standard for 1000 BASE-T.

Electrical Specifications @ 25°C												
Part Number	Turns Ratio (±5%)						Voltage Isolation (Vrms)					
	TX			RX								
GS5012	1CT:1			1CT:1			1500					
Continue												
Part Number	Insertion Loss (dB Max.)	Return Loss (dB Min @ 100 Ω)					Cross talk Attenuation (dB Min)			Differential to Common Mode Rejection (dB Min)		
		1-100MHz	1-30MHz	40MHz	50MHz	60-80MHz	100MHz	30MHz	60MHz	100MHz	30MHz	60MHz
GS5012	-1.0	-18	-14.4	-13.1	-12	-10	-45	-40	-35	-43	-37	-33

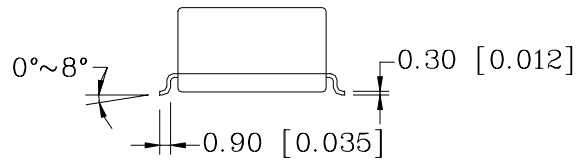
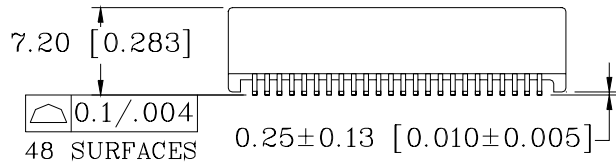
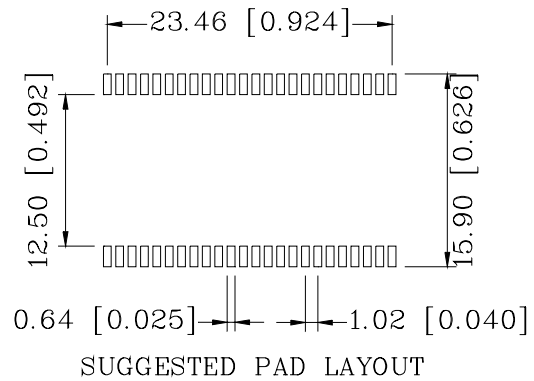
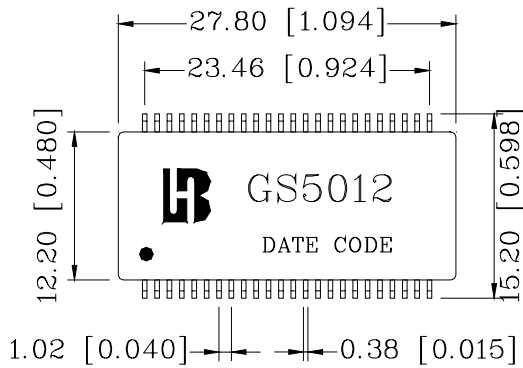
### Schematic



**1000 BASE -T DUAL PORT MAGNETICS MODULES**

**P/N: GS5012 DATA SHEET**

**Mechanical**



Units: mm [Inches] Tolerance: xx.x0 ± 0.25 [0.010]  
0.xx ± 0.05 [0.002]

