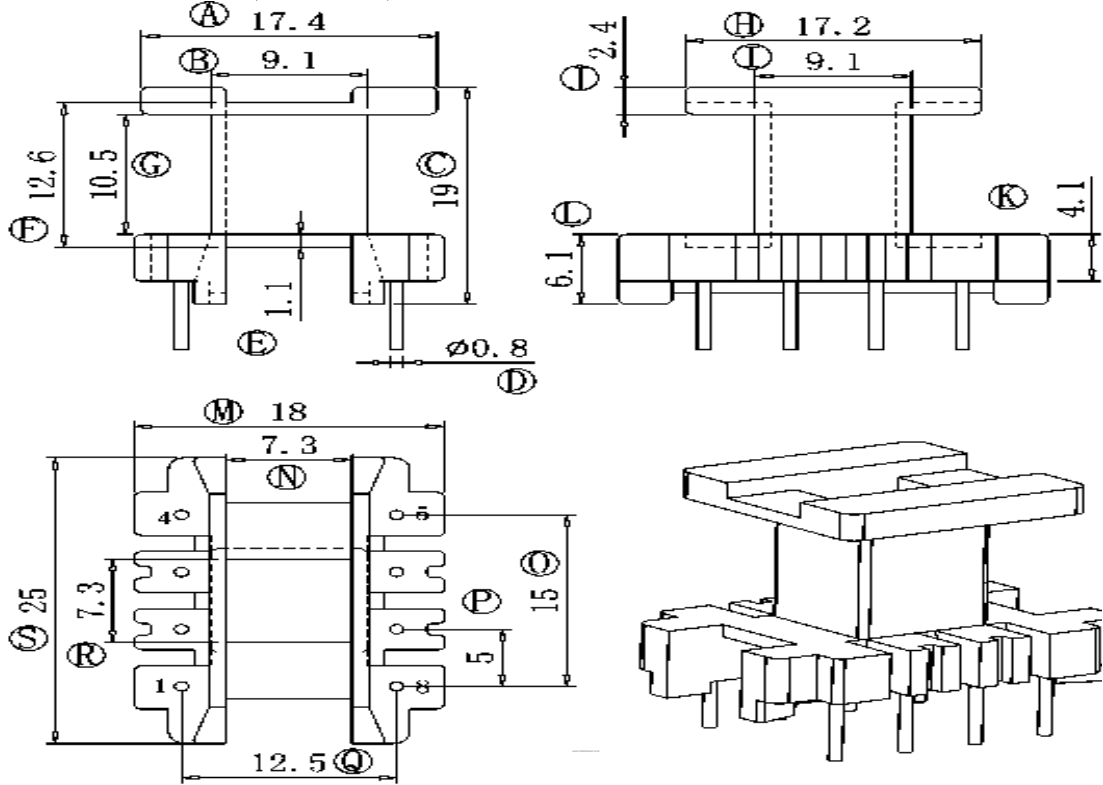


EE25 TRANSFORMER SPEC

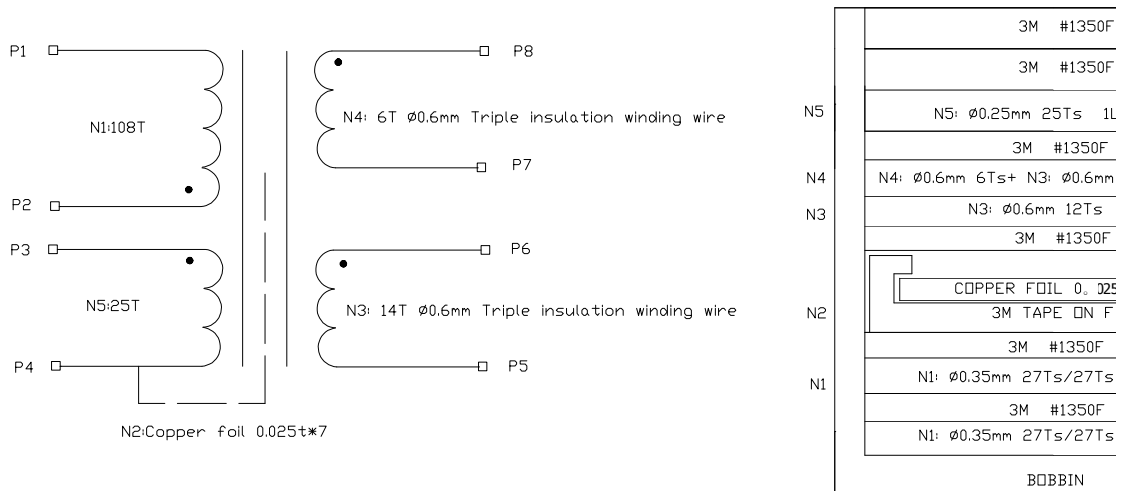
Single stage LED driver

1. BOBBIN: (EI25 8Pin)



2. CORE : EE25 AL:2000 $\pm 25\%$ nH/N*N(TDK PC40 MATERIAL or Equivalent)

CIRCUIT :



4. WINDING :

- 1). N1: 2 ---- 1 2UEW Φ 0.35mm 27Tx4Layer
- 2). N2 4 Copper foil 0.025t*7
- 2). N3 6----5 Triple insulation winding wire Φ 0.6mm 14T
Totoku TIW-3 UL FILE NO.E66483 or equivalent
- 3). N4 8----7 Triple insulation winding wire Φ 0.6mm 6T
Totoku TIW-3 UL FILE NO.E66483 or equivalent
- 4). N5 3----4 2UEW Φ 0.25mm 25T

L2—1 = 1mH +/- 10% (50KHz, 1V)

Lleakage < 60uH +/- 10% (From Pin2 to Pin1 with other pins short 50KHz,1V)

- Note :**
1. 脚位烫锡后, 不要高过变压器BOBBIN顶板 ;
 2. HIPOT : 3KVAC Primary to Secondary 1min. 10mA 。