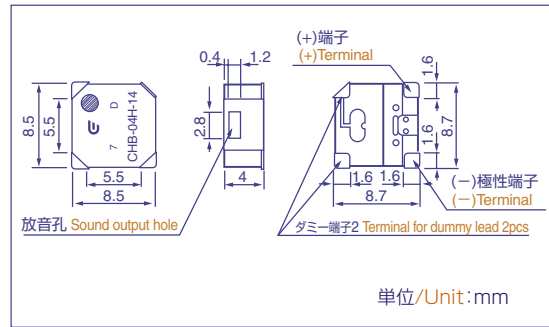


CHB-04H-14



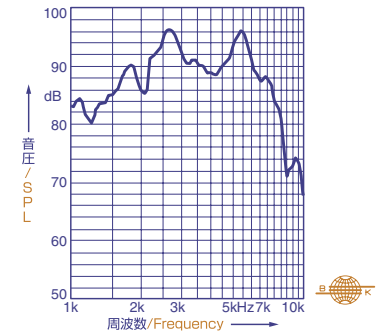
8.5×8.5×4mm

●外形寸法図/Outline drawing



●周波数特性/Frequency characteristics

発音体を試験筐体Cで測定することを条件とします (P153参照)。
Sound generators are to be measured in test case C. (See Page 153.)



●仕様/Specifications

定格電圧 ^{※1}	Rated voltage ^{※1}	(V)	5	最小音圧 ^{※2}	Minimum sound pressure level	(dB (A))	87	駆動周波数	Driving frequency	(Hz)	2500
平均消費電流最大値	Average maximum rated current	(mA)	80	平均音圧 ^{※2}	Average sound pressure level	(dB (A))	91	直流抵抗	Direct current resistance	(Ω)	32

※1 DUTY50% 方形波/Duty 50% Square wave ※2 (1)無響室内において、(2)マイクロホンとの距離を放音孔前方10cmとします。/The condition is to take measurements (1) in the anechoic chamber, (2) at the distance of 10cm in front of sound output hole to the microphone