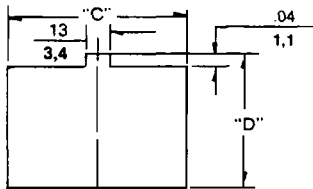
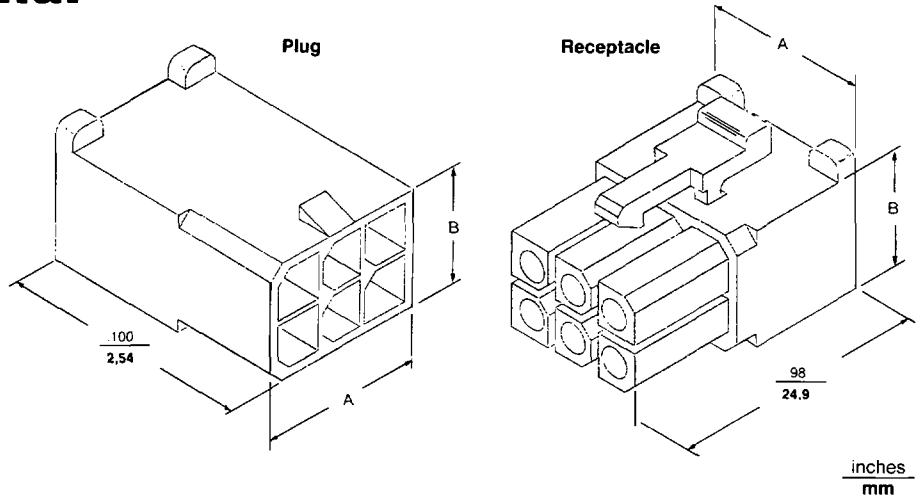


.062" (1,57mm) Power Connector



5025 International

- UL File No. E-29179
CSA File No. LR-19980
TUV License No. R-75107
- Up to 5 amperes per circuit*
- 600 volt rating*
- Positive lock
- Fully isolated terminals
- 2 to 15 circuit housing
- Will accept standard .062" terminals



Mounting Hole Detail
Recommended Panel
.079 (2mm) Max. Thickness

Ordering Information

<div style="background-color: black; color: white; padding: 5px; font-weight: bold; font-size: 24px; display: inline-block;">K</div> Ckt. I.D. Shown is Mating Side of Receptacle; Wire Side of Plug							
	Circuit Size	5025-2	5025-3	5025-4	5025-6	5025-9	5025-12
Amperes/Circuit (Max)*	5	5	5	5	5	5	5
Voltage Rating (Max)*	600	600	600	600	600	600	600
RECEPTACLE							
Dimension A	.46 11,6	.64 16,4	.83 21,2	.64 16,4	.64 16,4	.83 21,2	1.02 26,0
B	.27 6,8	.27 6,8	.27 6,8	.46 11,6	.64 16,4	.64 16,4	.64 16,4
PLUG							
Panel Mount	15-31-1021	15-31-1031	15-31-1041	15-31-1061	15-31-1091	15-31-1121	15-31-1151
Free Hanging	15-31-1023	15-31-1033	15-31-1043	15-31-1063	15-31-1093	15-31-1123	15-31-1153
Dimension A	.46 11,6	.64 16,4	.83 21,2	.64 16,4	.64 16,4	.83 21,2	1.02 26,0
B	.27 6,8	.27 6,8	.27 6,8	.46 11,6	.64 16,4	.64 16,4	.64 16,4
Panel Cutout C	.62 15,8	.81 20,6	1.0 25,4	.81 20,6	.81 20,6	1.0 25,4	1.18 30,2
D	.35 8,9	.35 8,9	.35 8,9	.53 13,7	.72 18,5	.72 18,5	.72 18,5

NOTE: *Ratings is based on fully loaded housings.