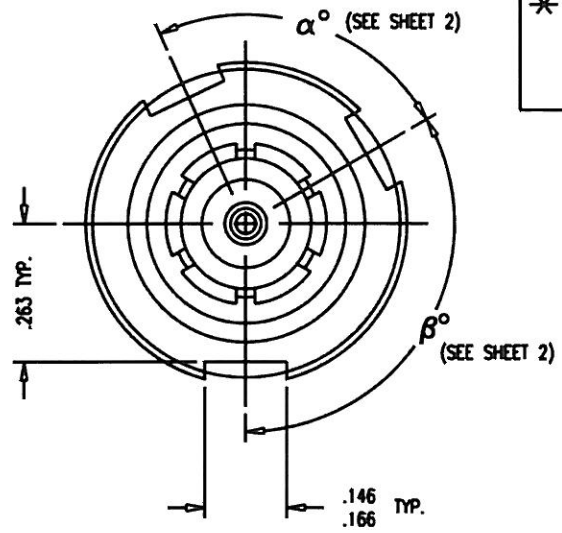
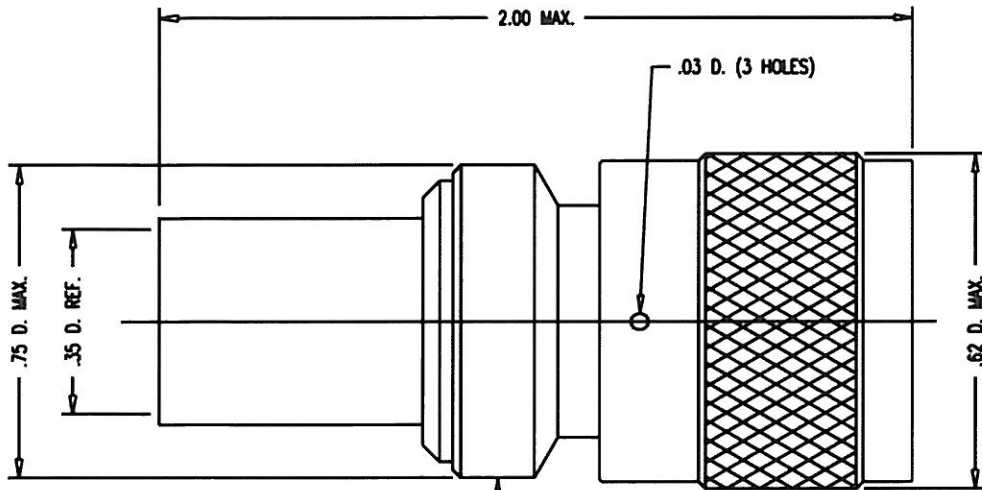


GSD

125-52-*



REVISIONS	
ISSUE	CHANGES
4	CN 34271 A REDRAWN JCA 11/23/92
5	CN 36978 C KH 05/20/96
6	CN 38453 C TML 11/26/01
7	CN 39673 A JPK 10/24/06

NOTES:

1. FOR USE WITH McDONNELL DOUGLAS BXS 7004-502-06090 CABLE.
2. FOR CABLING INSTRUCTIONS SEE CP-5402.
3. FOR CABLE TRIMMING USE KTJ-187 & KTD-270.
4. FOR CRIMPING USE DIE KTH-2012.
5. INTERFACE PER MIL-STD-348 FIG. 313-1 (AS APPLICABLE).
6. CENTER CONTACT TO BE SUPPLIED UNASSEMBLED.
8. MATES WITH ST5M1377T KEYING BASKETS.
9. MARK PACKAGE: 500191-(*)
KINGS 125-52-(*)
91836
YRWK (DATE CODE)

12. ELECTRICAL CHARACTERISTICS:
NOMINAL IMPEDANCE: 50 OHMS
VOLTAGE RATING: 500 VRMS
FREQUENCY RANGE: DC TO 11 GHz.
VSWR: 1.30 MAX. .5 - 11 GHz.
INSERTION LOSS: .18 dB AT 9 GHz.
13. CONNECTOR WEIGHT: .024 LB (11 GRAMS)

10. MATERIALS:

INSULATOR: TEFLON, ASTM-D4894
GASKET: SIL. RUB., A-A-59588
C-RING: BER. COP., ASTM-B196
K-GRIP SLEEVE: COM. BRONZE TUBE, ALLOY 220
ALL OTHER METAL PARTS: BRASS, ASTM-B16

11. FINISHES:

CENTER CONTACT: HARD GOLD PLATE PER ASTM-B488
ALL OTHER METAL PARTS: SILVER PLATE PER ASTM-B700

WAS: JCA3345 125-52S1

SCALE 4:1

APPROX SURFACE AREA

WAS: E-15632A-H

USED ON

REF: McDONNELL DOUGLAS 500191 REV. 0

PLUG, TNC, KEYED

DRAWN JCA DATE 11/23/92

DESIGN AT DATE 11/24/92

APPR. DATE

KINGS
ELECTRONICS CO., INC.
ROCK HILL, SOUTH CAROLINA 29730

GSD

125-52-*

KINGS NO.	MCDONNELL DOUGLAS NO.	α°	β°
125-52	_____	NONE	NONE
125-52-1	5D0191-1	72	120
125-52-2	5D0191-2	96	96
125-52-3	5D0191-3	120	144
125-52-4	5D0191-4	72	144
125-52-5	5D0191-5	120	120
125-52-6	5D0191-6	120	72
125-52-7	_____	120	96
125-52-8	_____	110	72

GSD

125-52- * (SHEET 2 OF 2)

REVISIONS	
ISSUE	CHANGES
4	CN 34271 A REDRAWN JCA 11/23/92
5	CN 36978 C KH 05/20/96
6	CN 38453 C TML 11/26/01
7	CN 39673 A JPK 10/24/06
<p>WAS: JCA3346 125-52S2</p>	

SCALE 1:1

APPROX SURFACE AREA

WAS: E-15632A-H

USED ON

REF:

PARTS LIST

DRAWN	JCA	DATE	11/23/92
DESIGN	AT	DATE	11/24/92
APPR.		DATE	

 **KINGS**
ELECTRONICS CO., INC.
ROCK HILL, SOUTH CAROLINA 29730

125-52-*
(SHEET 2 OF 2)

GSD