

Model(型號): **ROTARY POTENTIOMETER-----WR3386P**

► Download PDF file



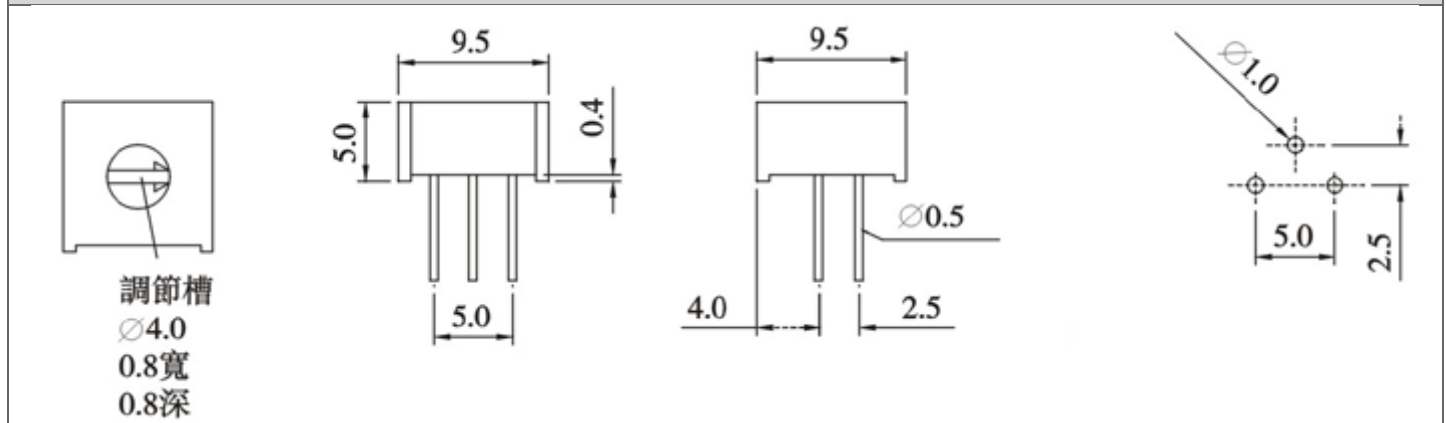
**Features:(特點):**

Measuring equipment, cMany models are available.High performance and high dependability.  
Automatic adjustment (with automatically adjustable driver)possible.  
Being of sealed structure,the potentiometimeters may be cleane with a variety of cleanign liquids.  
Easy adjustment by large diameter shaft.  
The adjustable screwdriver available i the commercial market can be used.

**Applications(作用):**

Measuring equipment,communication device,industrial machines,high requirements for environmet.

**Dimensions(規格圖):**



**Specifications(規格)**

| ITEMS[項目]                                  | WR3006   | WR3266           | WR3296           | WR3329                             | WR3362                             | WR3386                             |
|--|--|------------------|------------------|------------------------------------|------------------------------------|------------------------------------|
| <b>Electrical Characteristics [ 電氣性能 ]</b> |  |                  |                  |                                    |                                    |                                    |
| Total resistance [ 全阻抗值 ]                  | 100 $\Omega$ ~1M $\Omega$  |                  |                  |                                    |                                    |                                    |
| Total resistance tolerance [ 全阻抗值容許差 ]     | $\pm 10\%$ or $\pm 20\%$   |                  |                  |                                    |                                    |                                    |
| Ratings power(w) [ 額定功率 ]                  | 0.75W  | 0.25W            | 0.5W             | 0.5W                               | 0.5W                               | 0.5W                               |
| Restings taper[阻抗變化特性]                     | (JIS)B   |                  |                  |                                    |                                    |                                    |
| Residual resistance [殘留阻值]                 | R $\leq$ 1K $\Omega$ :10 $\Omega$ ; R>1K $\Omega$ :1%R $\Omega$ [R=Total resistance] |                  |                  |                                    |                                    |                                    |
| Withstanding voltage [耐電壓]                 | 630V AC  | 500V AC          | 500V AC          | 500V AC                            | 640V AC                            | 600V AC                            |
| <b>Mechanical Characteristics [ 機械性能 ]</b> |  |                  |                  |                                    |                                    |                                    |
| Operation torque [ 回轉力矩 ]                  | 30~350gf . cm  |                  |                  |                                    |                                    |                                    |
| Total rotational angle [回轉角度]              | 22 $\pm$ 5 turns   | 12 $\pm$ 2 turns | 28 $\pm$ 5 turns | 280 $^{\circ}$ $\pm$ 10 $^{\circ}$ | 250 $^{\circ}$ $\pm$ 10 $^{\circ}$ | 300 $^{\circ}$ $\pm$ 10 $^{\circ}$ |
| <b>Endurance Characteristics [ 耐久性能 ]</b>  |  |                  |                  |                                    |                                    |                                    |
| Rotational life [ 回轉壽命 ]                   | 200 cycles   |                  |                  |                                    |                                    |                                    |