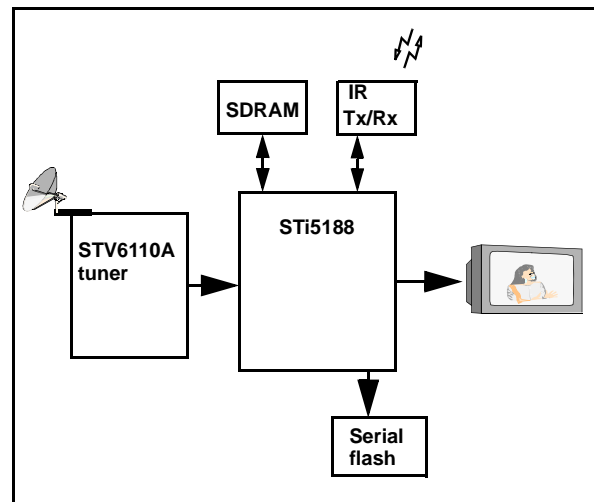


Low-cost free-to-air satellite set-top box decoder

Data Brief

Features

- Enhanced ST20 32-bit VL-RISC CPU
 - 200 MHz, single cycle cache, 4-Kbyte instruction cache, 4-Kbyte data cache, 2-Kbyte SRAM
- Unified memory interface
 - Up to 166 MHz, 16-bit wide SDRAM interface
- Serial flash interface
 - Serial flash support (SPI/SSC)
- Embedded DVB-S QPSK demodulator
 - Fast channel acquisition
 - Compatible with direct conversion tuners
 - Digital carrier and timing recovery loops
 - Up to 60 Msps operation
 - Automatic spectral inversion ambiguity resolution
 - Digital cancellation of ADC offset
 - Digital nyquist root filter
- External transport stream input
 - Support for DVB transport streams
- MPEG-2 MP at ML video decoder
 - Fully programmable horizontal and vertical SRCs
- PAL/NTSC/SECAM encoder
 - RGB, CVBS, Y/C and YUV outputs with four 10-bit DAC outputs. RGB/CVBS or YUV/CVBS or YC/CVBS
 - Encoding of CGMS, Teletext, WSS, VPS and closed caption
- Graphics/display
 - Blitter-based display compositor
 - 8 bpp CLUT graphics, 256 x 30-bit (AYCbCr) CLUT entries or 16-bit true color graphics, RGB565 and ARGB1555 formats. Link-list control
 - 2-D paced blitter engine with fill function
 - Multiple channel presentation



- Audio subsystem
 - MPEG-1 layers I/II
 - Direct voltage, single ended, stereo audio DAC
- Central DMA controller
- On-chip peripherals
 - One ASC (UART) with Tx and Rx FIFOs
 - Three 8-bit banks of parallel I/O and one 7-bit bank
 - Two SSCs for I²C/SPI master/slave interfaces
 - Infrared transmitter/receiver
 - Integrated VCXO
 - Low-power RTC watchdog controller
- JTAG/TAP interface
- Package TQFP176 20 mm x 20 mm.

1 Description

Leader in the low-cost FTA satellite market, STMicroelectronics introduces its latest, low-cost highly integrated solution for the retail market.

Offering a direct migration path from the STi5118/STV0288 platform, The STi5188 uses the same set of IPs, thereby facilitating the porting from previous generations. It is based on the ST-interconnect architecture and the popular ST20 CPU running at 200 MHz, and comes with a serial flash interface. The embedded QPSK demodulator guarantees fast satellite scan times thanks to the blind scan algorithm and a direct connection to zero-IF tuners.

The STi5188 also includes audio DACs capable of direct connection to the TV input and the capability to operate from the same clock as the STV6110A. These cost reductions have been made without compromising ST quality standards and performance: 2-D graphics engine, faster CPU and built-in flexible DMA have been integrated.

2 Ordering information

Table 1. Ordering information

Order code	Packaging	Description
STi5188ATB	TQFP176	Version in production
STi5188HTB	TQFP176	Version in production

3 Revision history

Table 2. Document revision history

Date	Revision	Changes
05-March-2008	1	First release

Please Read Carefully:

Information in this document is provided solely in connection with ST products. STMicroelectronics NV and its subsidiaries ("ST") reserve the right to make changes, corrections, modifications or improvements, to this document, and the products and services described herein at any time, without notice.

All ST products are sold pursuant to ST's terms and conditions of sale.

Purchasers are solely responsible for the choice, selection and use of the ST products and services described herein, and ST assumes no liability whatsoever relating to the choice, selection or use of the ST products and services described herein.

No license, express or implied, by estoppel or otherwise, to any intellectual property rights is granted under this document. If any part of this document refers to any third party products or services it shall not be deemed a license grant by ST for the use of such third party products or services, or any intellectual property contained therein or considered as a warranty covering the use in any manner whatsoever of such third party products or services or any intellectual property contained therein.

UNLESS OTHERWISE SET FORTH IN ST'S TERMS AND CONDITIONS OF SALE ST DISCLAIMS ANY EXPRESS OR IMPLIED WARRANTY WITH RESPECT TO THE USE AND/OR SALE OF ST PRODUCTS INCLUDING WITHOUT LIMITATION IMPLIED WARRANTIES OF MERCHANTABILITY, FITNESS FOR A PARTICULAR PURPOSE (AND THEIR EQUIVALENTS UNDER THE LAWS OF ANY JURISDICTION), OR INFRINGEMENT OF ANY PATENT, COPYRIGHT OR OTHER INTELLECTUAL PROPERTY RIGHT.

UNLESS EXPRESSLY APPROVED IN WRITING BY AN AUTHORIZED ST REPRESENTATIVE, ST PRODUCTS ARE NOT RECOMMENDED, AUTHORIZED OR WARRANTED FOR USE IN MILITARY, AIR CRAFT, SPACE, LIFE SAVING, OR LIFE SUSTAINING APPLICATIONS, NOR IN PRODUCTS OR SYSTEMS WHERE FAILURE OR MALFUNCTION MAY RESULT IN PERSONAL INJURY, DEATH, OR SEVERE PROPERTY OR ENVIRONMENTAL DAMAGE. ST PRODUCTS WHICH ARE NOT SPECIFIED AS "AUTOMOTIVE GRADE" MAY ONLY BE USED IN AUTOMOTIVE APPLICATIONS AT USER'S OWN RISK.

Resale of ST products with provisions different from the statements and/or technical features set forth in this document shall immediately void any warranty granted by ST for the ST product or service described herein and shall not create or extend in any manner whatsoever, any liability of ST.

ST and the ST logo are trademarks or registered trademarks of ST in various countries.

Information in this document supersedes and replaces all information previously supplied.

The ST logo is a registered trademark of STMicroelectronics. All other names are the property of their respective owners.

© 2009 STMicroelectronics - All rights reserved

STMicroelectronics group of companies

Australia - Belgium - Brazil - Canada - China - Czech Republic - Finland - France - Germany - Hong Kong - India - Israel - Italy - Japan - Malaysia - Malta - Morocco - Singapore - Spain - Sweden - Switzerland - United Kingdom - United States of America

www.st.com

