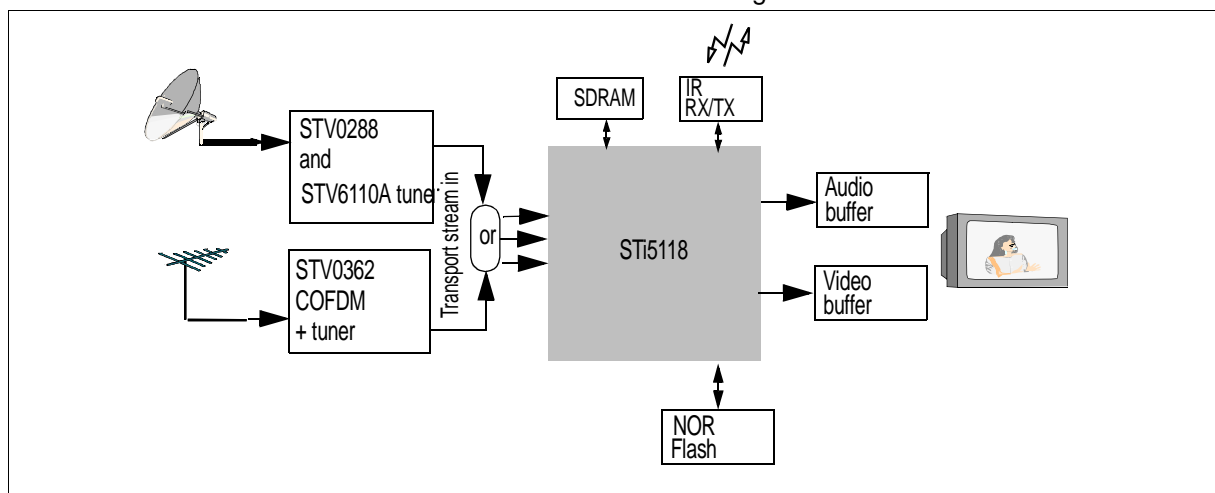


## Low-cost interactive FTA set-top box decoder

Data Brief

### Features

- Enhanced ST20 32-bit VL-RISC CPU
  - 200 MHz, single cycle cache, 4 Kbyte instruction cache, 4 Kbyte data cache, 2 Kbyte SRAM
- Unified memory interface
  - Up to 166 MHz, 16-bit wide SDRAM interface
- Programmable flash memory interface
  - SRAM, peripheral, Flash, SFlash™ support
  - support for low cost DVB-CI and ATAPI
- Programmable transport interface (PTI)
  - single transport stream input
  - support for DVB transport streams
- MPEG-2 MP@ML video decoder
  - fully programmable horizontal and vertical SRCs
- Graphics/display
  - advanced blitter base compositor
  - 8 bpp CLUT graphics, 256 x 30 bits (AYCbCr) CLUT entries
  - 16 bpp true color graphics, RGB565, ARGB1555, ARGB4444 formats, with link-list control
- Alpha blending, antialiasing, antiflutter, antiflicker filters
- 2D paced blitter engine with fill function
- PAL/NTSC/SECAM encoder
  - RGB, CVBS, Y/C and YUV outputs with four 10-bit DAC outputs. RGB/CVBS or YUV/CVBS or YC/CVBS
  - Encoding of CGMS, Teletext, WSS, VPS, close caption.
- Audio subsystem
  - MPEG-1 layers I/II
  - simultaneous MPEG audio decode and output of Dolby® streams on S/PDIF
  - IEC958/IEC1937 digital audio output interface
  - integrated stereo audio DAC system
- Central DMA controller
- On-chip peripherals
  - two ASCs (UARTs) with Tx and Rx FIFOs
  - three 8-bit banks of parallel I/O and one 7-bit bank
  - two SSCs for I<sup>2</sup>C/SPI master/slave interfaces
  - infrared transmitter/receiver
  - integrated VCXO



# 1 Description

STMicroelectronics sets a new standard for performance, price and integration in the single chip MPEG-2 set-top-box decoder market with the introduction of the STi5118. This highly integrated solution targets mass market FTA set-top boxes, offers increased performance over earlier devices and includes many features for further reduce costs, including a unified memory architecture.

The STi5118 features the ST20 CPU that is standard across the OMEGA range but boosts the clock speed to 200 MHz which, when combined with the 2D graphics engine gives the new device outstanding graphics performances, for mosaic composition, fast channel change time and richer graphic content. Targeting low-cost, single tuner STB applications, the STi5118 is hardware and software binary compatible with the STi5105. This allows manufacturers to use a unified platform for all mass market set-top boxes.

The integration of the VCXO and audio DACs ensures that manufacturers using the STi5118 will cut their total bill of materials and significantly simplify board design and assembly.

## 2 Ordering information

Table 1. Ordering information

Order code	Packaging
STi5118ALC	Package 24 mm x 24 mm LQFP216

### 3 Revision history

**Table 2. Document revision history**

Date	Revision	Changes
17-Nov-2008	1	Initial release

**Please Read Carefully:**

Information in this document is provided solely in connection with ST products. STMicroelectronics NV and its subsidiaries ("ST") reserve the right to make changes, corrections, modifications or improvements, to this document, and the products and services described herein at any time, without notice.

All ST products are sold pursuant to ST's terms and conditions of sale.

Purchasers are solely responsible for the choice, selection and use of the ST products and services described herein, and ST assumes no liability whatsoever relating to the choice, selection or use of the ST products and services described herein.

No license, express or implied, by estoppel or otherwise, to any intellectual property rights is granted under this document. If any part of this document refers to any third party products or services it shall not be deemed a license grant by ST for the use of such third party products or services, or any intellectual property contained therein or considered as a warranty covering the use in any manner whatsoever of such third party products or services or any intellectual property contained therein.

**UNLESS OTHERWISE SET FORTH IN ST'S TERMS AND CONDITIONS OF SALE ST DISCLAIMS ANY EXPRESS OR IMPLIED WARRANTY WITH RESPECT TO THE USE AND/OR SALE OF ST PRODUCTS INCLUDING WITHOUT LIMITATION IMPLIED WARRANTIES OF MERCHANTABILITY, FITNESS FOR A PARTICULAR PURPOSE (AND THEIR EQUIVALENTS UNDER THE LAWS OF ANY JURISDICTION), OR INFRINGEMENT OF ANY PATENT, COPYRIGHT OR OTHER INTELLECTUAL PROPERTY RIGHT.**

**UNLESS EXPRESSLY APPROVED IN WRITING BY AN AUTHORIZED ST REPRESENTATIVE, ST PRODUCTS ARE NOT RECOMMENDED, AUTHORIZED OR WARRANTED FOR USE IN MILITARY, AIR CRAFT, SPACE, LIFE SAVING, OR LIFE SUSTAINING APPLICATIONS, NOR IN PRODUCTS OR SYSTEMS WHERE FAILURE OR MALFUNCTION MAY RESULT IN PERSONAL INJURY, DEATH, OR SEVERE PROPERTY OR ENVIRONMENTAL DAMAGE. ST PRODUCTS WHICH ARE NOT SPECIFIED AS "AUTOMOTIVE GRADE" MAY ONLY BE USED IN AUTOMOTIVE APPLICATIONS AT USER'S OWN RISK.**

Resale of ST products with provisions different from the statements and/or technical features set forth in this document shall immediately void any warranty granted by ST for the ST product or service described herein and shall not create or extend in any manner whatsoever, any liability of ST.

ST and the ST logo are trademarks or registered trademarks of ST in various countries.

Information in this document supersedes and replaces all information previously supplied.

The ST logo is a registered trademark of STMicroelectronics. All other names are the property of their respective owners.

© 2008 STMicroelectronics - All rights reserved

STMicroelectronics group of companies

Australia - Belgium - Brazil - Canada - China - Czech Republic - Finland - France - Germany - Hong Kong - India - Israel - Italy - Japan - Malaysia - Malta - Morocco - Singapore - Spain - Sweden - Switzerland - United Kingdom - United States of America

[www.st.com](http://www.st.com)