

24V 75W 1 Phase



Features:

- Full aluminium casing for lightweight and corrosion resistant handling
- Ease of wire connection to Terminals
- Universal AC input
- Overload protection
- Over voltage protection
- Thermal protection
- MTBF: > 700,000hrs
- Efficiency > 86%typ.
- Expected life time: 10 years
- 2 year warranty
- RoHS compliant

PMC-24V075W1AA



Summary

The new Panel Mount Power Supply is the latest offering from one of the world's largest power supply manufacturers and solution providers - Delta.

The product range offers a nominal output voltage of 24V, a wide temperature range from -10°C to +70°C and a highly dependable minimum holdup time.

The state-of-the-art design is made to withstand harsh industrial environments. What makes the product stand out from the crowd is its lightweight full aluminum body design which can withstand shock and vibration according to IEC60068-2.

Delta's Panel Mount Power Supply also offers overvoltage and overload protection. Using a wide input voltage range design, it is compatible worldwide. The input also includes DC operating voltage from 100-375Vdc. Best of all, this excellent design and quality does not come with a big price tag.

Technical Data

PMC-24V075W1AA	
1.) Input Data	
Nominal AC Input Voltage	100 - 240VAC
Input Voltage range	85 - 264VAC
Nominal AC Input Frequency	50Hz
AC Input Frequency	47 - 63Hz
DC Input Voltage Range	120 – 375VDC
Max. Input Current	1.8A Max.(1.5A @ 115VAC, 1.0A @ 230VAC)
Efficiency	> 86% @ 230VAC & 115VAC
Max. Inrush current limitation.(Cold Start)	< 40A @ 115VAC, < 80A @ 230VAC
Leakage Current	< 1.0mA @ 240VAC
Transient surge voltage protection	VARISTOR
Input fuse, internal (device protection)	T 3.15 AH / 250V
Recommended backup fuse: Power circuit-breaker characteristic	6A , 10A, 16A : B
2.) Output Data	
Max. Output Power	75W
Nominal Output Voltage	24 VDC
Tolerance	+/- 2% (Initial Set Point tolerance)
Output Voltage Adjust Range	22 – 28 VDC
Nominal Output Current	3.125 A
Line Regulation	< 0.5% Typical @ 85 to 264VAC input, 100% load
Load Regulation	< 1% Typical @ rated input, 0 to 100% load
Startup with capacitive loads	Max 8,000µF (@ Nominal Input Voltage & Nominal O/P Voltage, 25°C)
Residual Ripple Voltage (20MHz BW @ 25°C)	< 100mVpp.
Total PARD (Peak switching 20MHz BW @ nominal values)	< 150mVpp.
Power Derating above +50°C ambient Temp.	Derated Linearly 2.5% / °C
Rise Time	< 30 ms @ full load, 25°C
Start-Up Time	< 2.5 s @ full load, 25°C
Main Buffering (Hold-Up Time ,Power failure bypass)	> 90ms @ 230VAC & > 15ms @ 115VAC, 25°C
Dynamic Response (Overshoot & Undershoot O/P Voltage)	+/-5% of 10% - 90% of full load.
Parallel connection (Redundancy)	YES with External Diode or Redundancy module (DRR-20A or DRR-40A)
Surge voltage protection against internal surge voltages	YES
3.) Protection	
Over Voltage Protection	> 32V +/-10%, SELV output, Non-Latching (Auto recovery).
Over load Protection	> 120% of rated load current, Auto Recovery (Hicc-up Mode).
Over current Protection	> 120% of rated load current, Auto Recovery (Hicc-up Mode).
Over Temperature Protection	> 50°C Ambient Temp @ Max Load. Non-Latching (Auto-recovery).
Short Circuit Protection	Bouncing mode and recovers automatically when the fault is removed.
4.) Environmental	
Ambient temperature (Operating)	-20°C to +50°C, with operation to 70°C possible with a linear derating to 50% of nominal power from 50°C.
Ambient temperature (Storage)	-25°C to 85°C
Humidity Operation	< 95% RH non-condensing
Shock Test (in all directions)	30G (300m/S ²) according to IEC60068-2-27
Vibration (in all X,Y,Z direction) (Non-Operating)	10 to 150Hz @ 50m/S ² (5G peak) according to IEC 60068-2-6. Note: all figures quoted are amplitudes (peak values).
Bump	IEC/EN 60068-2-29; 11ms/ 10gn
MTBF	> 700,000 Hours.
Expected Life Time	10 years.
RoHS Compliant	Yes, RoHS directive, WEEE directive
Altitude (Operating)	@ 3,000 Meters
Degree of protection	IPX0
Class of protection	Class I with PE connection
Pollution degree	2
Climatic class	3K3 according to EN 60721

5.) Mechanical Data	
Dimension	128 mm X 97 mm X 38 mm (L X W X H)
Cooling System	Convection
Input Terminal & Output Terminal	Terminal Block 5 pin (300VAC, 20A)
Mounting Rail	Standard T35 Mounting Rail (35mm) EN60715
Connection	Screw Terminal
Input wire size	AWG 22-14
Output wire size	AWG 22-14
Indicator	Green LED "DC OK" LED (Same LED will Flicker upon fault)
Type of housing	Aluminium
Weight	0.300Kg

6.) Certification/Safety Standards																															
EMI : Immunity to interference according to EN 61000-6-2																															
<ul style="list-style-type: none"> EN 61000-4-2¹⁾ Discharge of static electricity (ESD) <table border="0" style="margin-left: 20px;"> <tr> <td>Housing:</td> <td>LEVEL 4</td> </tr> <tr> <td>Air Discharge:</td> <td>15 KV</td> </tr> <tr> <td>Contact discharge:</td> <td>8 KV</td> </tr> </table> EN 61000-4-3¹⁾ Radiate Field Immunity <table border="0" style="margin-left: 20px;"> <tr> <td>Housing:</td> <td>LEVEL 3</td> </tr> <tr> <td>Frequency/Field intensity:</td> <td>80MHz - 1GHz / 10V/M with 1kHz tone / 80% modulation.</td> </tr> </table> EN 61000-4-4¹⁾ Fast transients (Burst Immunity): <table border="0" style="margin-left: 20px;"> <tr> <td></td> <td>LEVEL 3</td> </tr> <tr> <td></td> <td>2KV⁴⁾</td> </tr> </table> IEC 61000-4-5¹⁾ Surge voltage Immunity: <table border="0" style="margin-left: 20px;"> <tr> <td>Common Mode:</td> <td>LEVEL 3</td> </tr> <tr> <td>Differential Mode:</td> <td>2 KV³⁾</td> </tr> <tr> <td></td> <td>1 KV⁴⁾</td> </tr> </table> EN 61000-4-6¹⁾ Conducted Immunity <table border="0" style="margin-left: 20px;"> <tr> <td>I/O:</td> <td>LEVEL 3</td> </tr> <tr> <td>Frequency / U_o:</td> <td>0.15MHz - 80MHz / 10Vrms.</td> </tr> </table> EN 61000-4-8¹⁾ Power frequency magnetic field <table border="0" style="margin-left: 20px;"> <tr> <td></td> <td>LEVEL 3</td> </tr> <tr> <td></td> <td>10A/Meter</td> </tr> </table> EN 61000-4-11²⁾ Voltage dips <table border="0" style="margin-left: 20px;"> <tr> <td></td> <td>100% dip, Input: Main Buffering > 20ms. Self Recoverable</td> </tr> </table> 	Housing:	LEVEL 4	Air Discharge:	15 KV	Contact discharge:	8 KV	Housing:	LEVEL 3	Frequency/Field intensity:	80MHz - 1GHz / 10V/M with 1kHz tone / 80% modulation.		LEVEL 3		2KV ⁴⁾	Common Mode:	LEVEL 3	Differential Mode:	2 KV ³⁾		1 KV ⁴⁾	I/O:	LEVEL 3	Frequency / U _o :	0.15MHz - 80MHz / 10Vrms.		LEVEL 3		10A/Meter		100% dip, Input: Main Buffering > 20ms. Self Recoverable	
Housing:	LEVEL 4																														
Air Discharge:	15 KV																														
Contact discharge:	8 KV																														
Housing:	LEVEL 3																														
Frequency/Field intensity:	80MHz - 1GHz / 10V/M with 1kHz tone / 80% modulation.																														
	LEVEL 3																														
	2KV ⁴⁾																														
Common Mode:	LEVEL 3																														
Differential Mode:	2 KV ³⁾																														
	1 KV ⁴⁾																														
I/O:	LEVEL 3																														
Frequency / U _o :	0.15MHz - 80MHz / 10Vrms.																														
	LEVEL 3																														
	10A/Meter																														
	100% dip, Input: Main Buffering > 20ms. Self Recoverable																														
EMC : Noise emission according to EN 61000-6-3																															
<ul style="list-style-type: none"> Emitted radio interface Radio interference voltage 	FCC Title 47, Class B / EN55022, CISPR22, CISPR11, CLASS B ⁵⁾ FCC Title 47, Class B / EN55022, CISPR22, CISPR11, CLASS B ⁵⁾																														
Galvanic Isolation :																															
Input / output	type test/routine test : 3KVAC																														
Input / PE	type test/routine test : 1.5KVAC																														
output / PE	type test/routine test : 0.5KVAC																														
Electrical equipment of machines	TUV to EN60950-1 and IEC60204-1 (With overvoltage category III)																														
Electronic equipment for use in electrical power Installations	TUV to EN50178 and IEC62103																														
Safety entry low voltage	PELV (EN60204), SELV (EN60950)																														
Electrical Safety for Information technology equipment	UR/cUR recognize to UL60950-1 and CSA C22.2 No.60950-1, CB test certificate and report to IEC60950-1/EN60950-1, TUV, CCC																														
Electrical Safety for Industrial Control Equipment	UR/cUR Listed to UL508 and CSA C22.2, CE (EMC and Low Voltage directive)																														
Protection against electric shock	DIN 57100-410																														
CE Conformance with EMC guideline 2004/108/EC and for low voltage guideline 2006/95/EC :	Compliant with following standards : IEC60950-1/EN60950-1 : 2006/95/EC (Low Voltage Directive) EN55011 Class B : 2004/108/EC (EMC Directive) EN55022 Class B																														
ITE	EN55022, EN61000-3-2, EN61000-3-3, EN55024																														
Industrial	EN55011																														
Limitation of mains harmonic currents	EN61000-3-2																														
EN55011 corresponds to CISPR11 / EN55022 corresponds to CISPR22 / EN 61000 corresponds to IEC 61000 1) Criterion A: Normal operating behavior within the defined limits. 2) Criterion B: Temporary impairment to operational behavior that is corrected by the device itself. 3) Symmetrical: Conductor to conductor. 4) Asymmetrical: Conductor to ground. 5) Class B: Area of application industry and residential.																															

Numbering for Panel Mount Power Supply

For example: **PMC-24V075W1AA**

XX X XXXX XXXX X XX

XX.....Product Type

PM	Panel Mount
----	-------------

XX X XXXX XXXX X XX

X.....Model

C	Enclose Power Supply
---	----------------------

XX X XXXX XXXX X XX

XXXX.....Voltage

24V	24 Voltage
-----	------------

XX X XXXX XXXX X XX

XXXX.....Watt

035W	35 Watt
050W	50 Watt
100W	100 Watt
150W	150 Watt

XX X XXXX XXXX X XX

X.....Phase

1	1 Phase
3	3 Phase

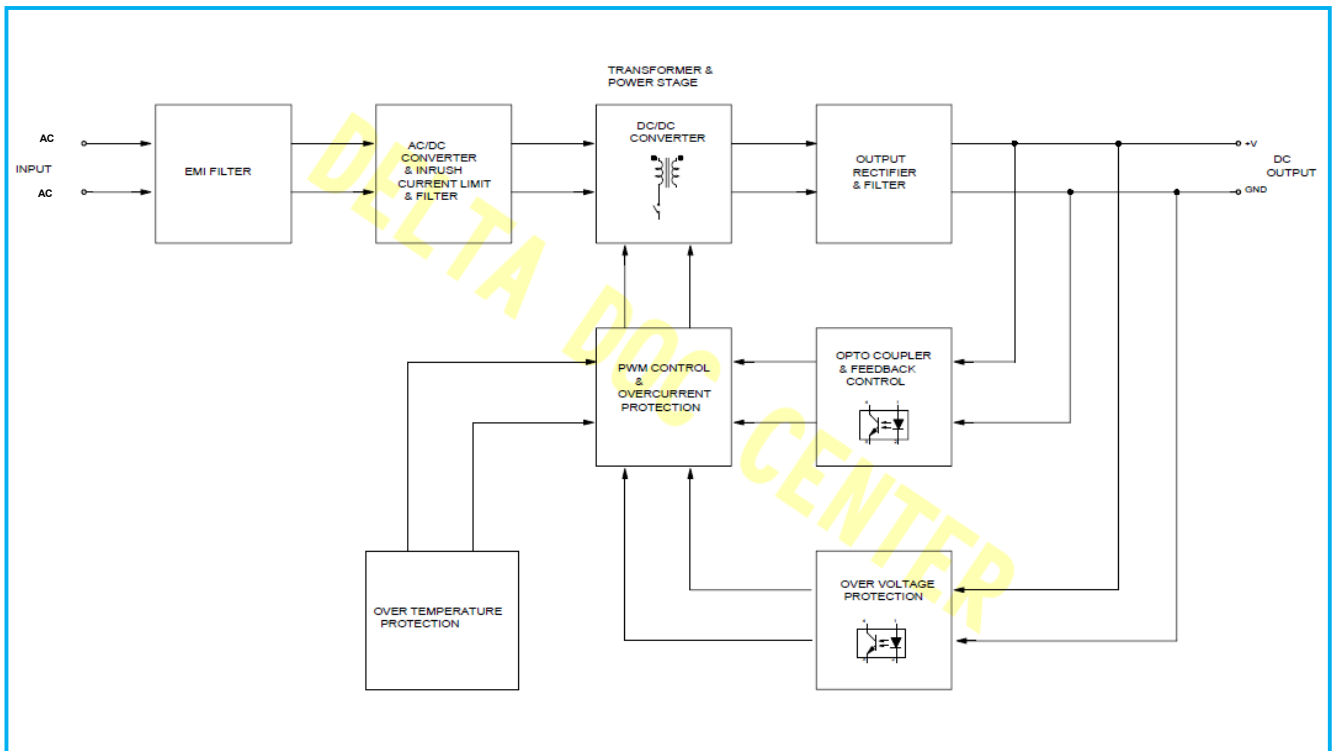
XX X XXXX XXXX X XX

XX.....Variation (Eg, Customer, material,Etc.)

AA	Delta standard – product
----	--------------------------

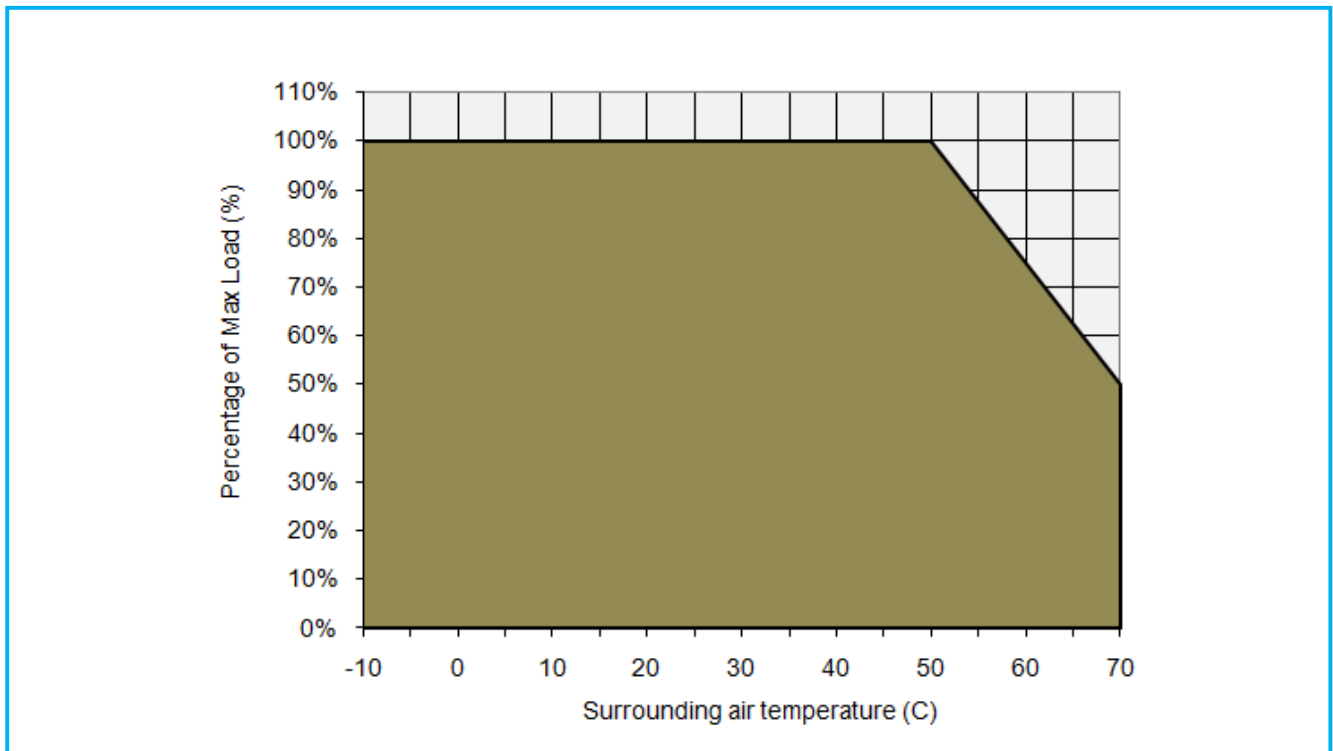
Block Diagrams/Connections:

- Block Diagram of Power Supply
- PMC-24V075W1AA



Engineering Data

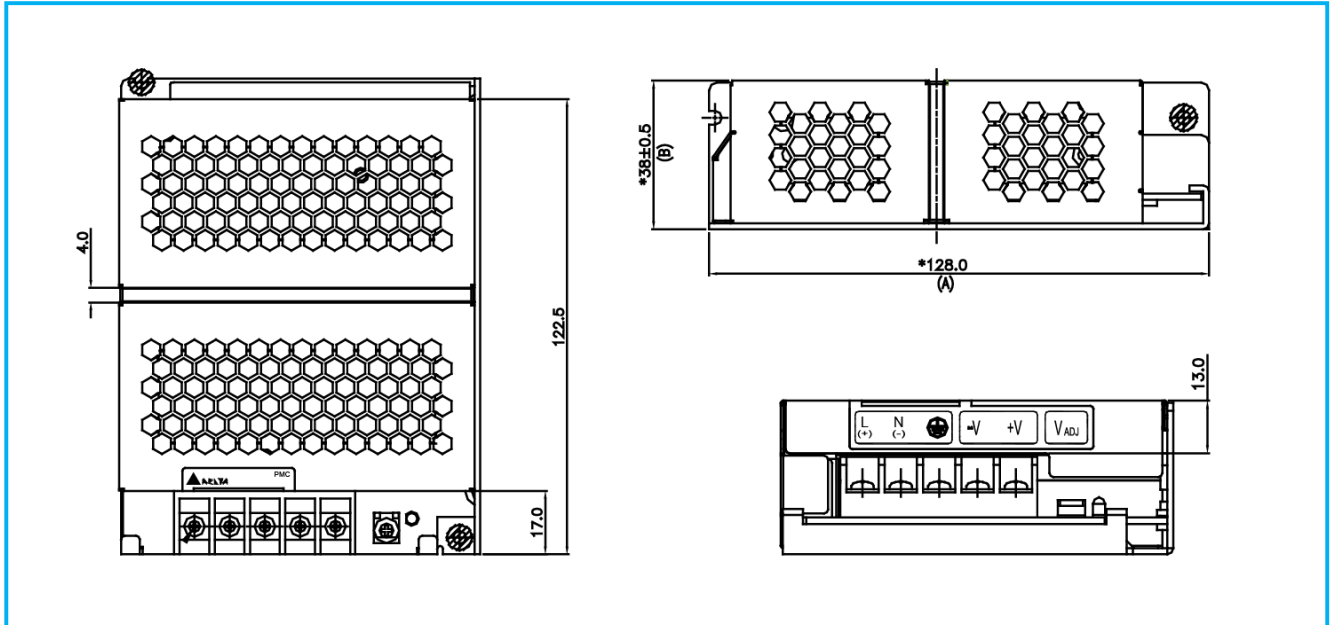
- Derating Curve
- PMC-24V075W1AA



Note:

1. Do not use the Power Supply in areas outside the shaded portion as shown in the above graph, internal parts may occasionally deteriorate or be damaged.
2. For the power derating refer above graph ambient temperature $> 50^{\circ}\text{C}$, the output capacity has to be reduced by 2.5% per Kelvin increase in temperature. If the output capacity is not reduced when $\text{Amb} > 50^{\circ}\text{C}$ device will run into thermal protection by switching off i.e. device will go in bouncing mode and will recover when Amb is lowered or load is reduced as far as necessary to keep device in working condition.
3. If the power supply has to be mounted in any other direction please contact your service provider.
4. In order for the device to function in the manner intended, it is also necessary to observe lateral spacing of 2 cm to other modules.
5. Depending on the ambient temperature and load of the device, the temperature of the housing can become very high!

Mechanical drawing



Device description (Fig. 1)

- ① Input & Output terminal block connector
- ② DC voltage adjustment potentiometer
- ③ "DC OK" LED (green)

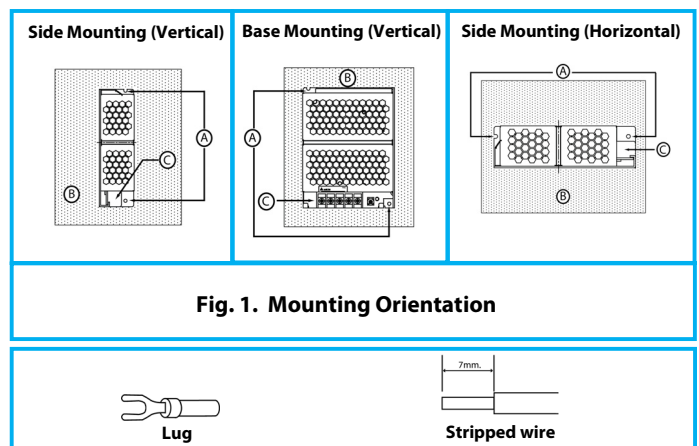
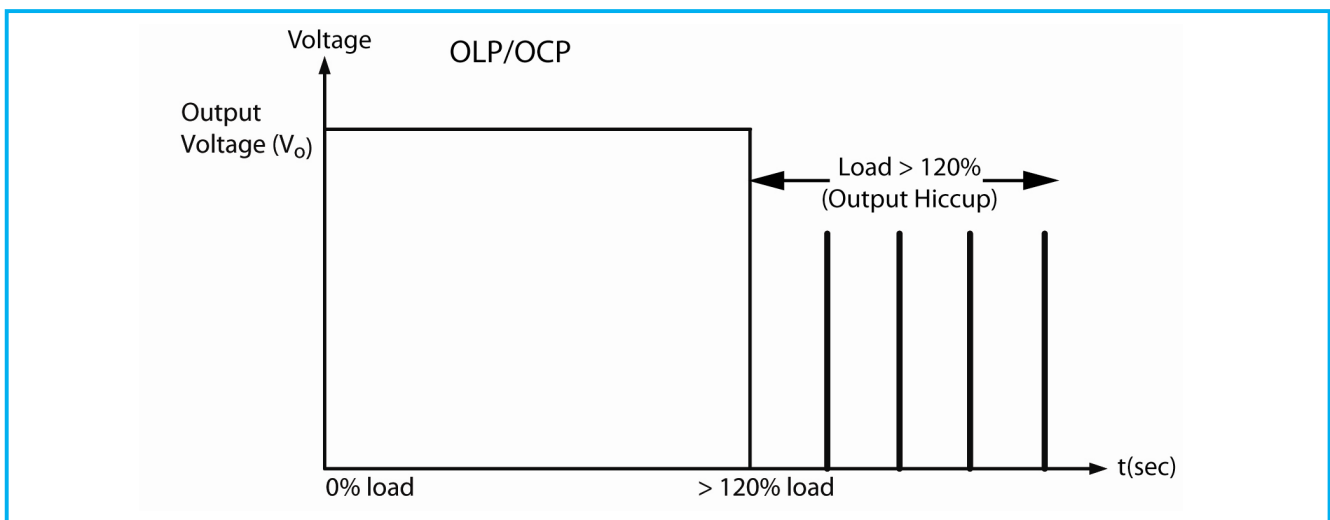


Fig. 2. Wire Type

- **Over Load Protection**

The Power Supply is provided with an overload protection (OLP/OCP) function which protects the power supply from possible damage by over current. Additionally power supply also has over temperature protection (OTP) in case the over load condition persists for a longer duration and is below the overload trigger point but $> 100\%$ load.

Typically the over load current (I_{OL}) is $> I_{SURGE}$ (120%) output voltage will start drooping down when the power supply reaches max power limit and will run into bouncing mode when the output reaches UVLO (under voltage point). The output voltage will recover automatically when the overload condition is removed.



- **Short Circuit Protection**

The Power Supply also has a short circuit protection which is in line with the overload protection and activates whenever there is a short across the output voltage, output goes in bouncing mode and remains until the fault is removed.

- **Over Temperature Protection**

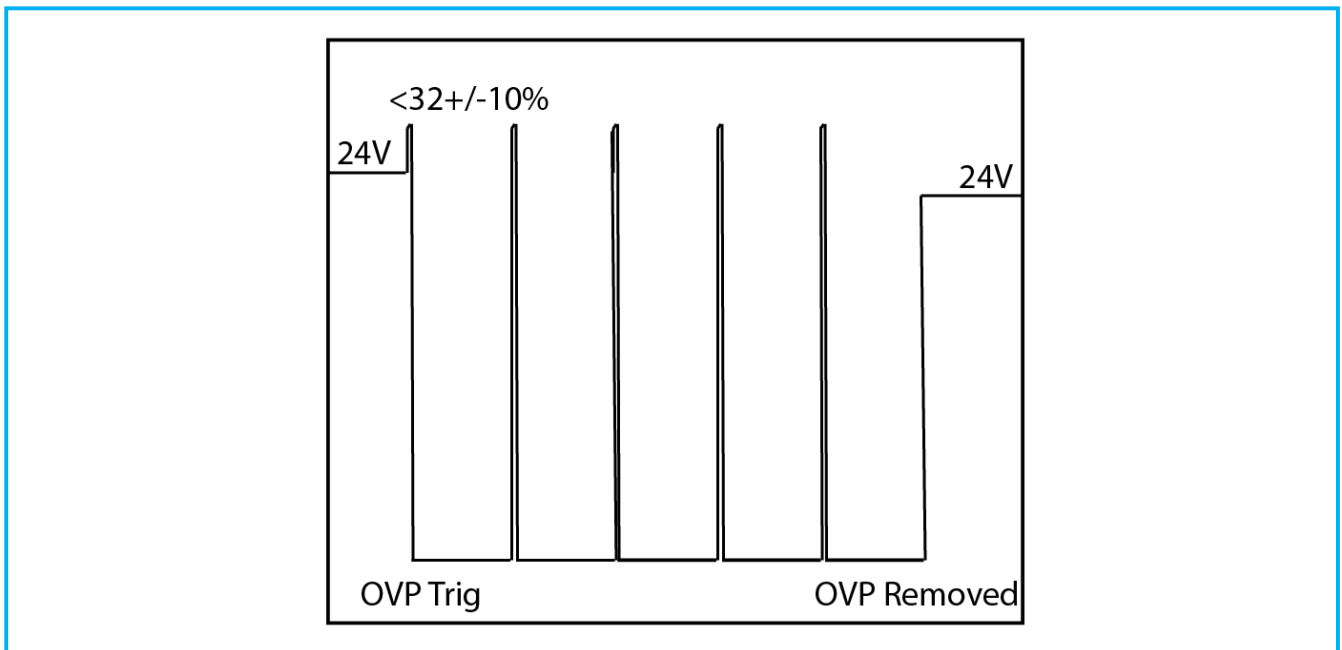
Additionally power supply also has over temperature protection (OTP) as mentioned above this OTP comes into picture when the over load condition persists for a longer duration and the output current level is below the overload trigger point but $> 100\%$ load.

Also in the event of a higher ambient operating condition with 100% load the power supply will run into OTP when the Ambient temperature is $> 55^\circ\text{C}$. The protection is self recoverable when activated output voltage bounces until the operating ambient temperature of the power supply is reduced or the power supply is used within its power derating curve.

- **Over Voltage protection**

The Power Supply is protected by Over voltage in the event that power supply feedback circuit fails, the output voltage will not exceed **32V +/-10% Vdc** under any Line/Load and operating ambient conditions.

The unique feature about this over voltage protection (OVP) is that power supply doesn't shut down but goes **Hicc-up mode (Auto recovery) which is 32V +/-10%Vdc**. The power supply output voltage will recover back to 24Vdc once the fault condition is removed.



- **Inrush Current, Start Up Time, Output Hold Up Time**

Inrush Current,

Inrush current is the first surge current seen on the input side when AC input is applied to the power supply. It is the first pulse captured; see a typical picture for the Inrush current as seen in the power supply.

Start Up Time,

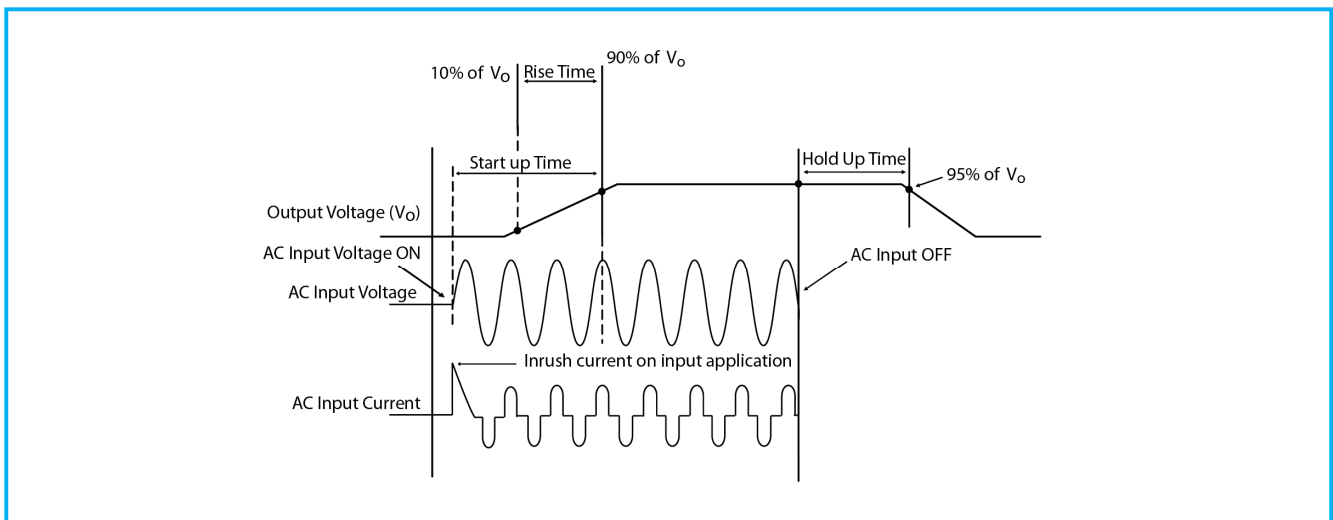
Start up time is measured from the point AC input is applied and the o/p voltage reaches within 90% of its set value. See picture below for a typical start up time characteristic of a power supply.

Rise Time,

Rise time is the time needed for o/p voltage to rise from 10% of its set value to 90%. See the picture below for a typical rise time measurement in a power supply.

Hold Up Time,

Hold up time is the time when the AC input collapses and o/p voltage retains regulation for a certain period of time is called as hold up time. See in the picture below a typical hold up time characteristic of a power supply. The hold time is measured until the o/p voltage remains in regulation hence it measured until the o/p voltage reaches 95% of its set value.

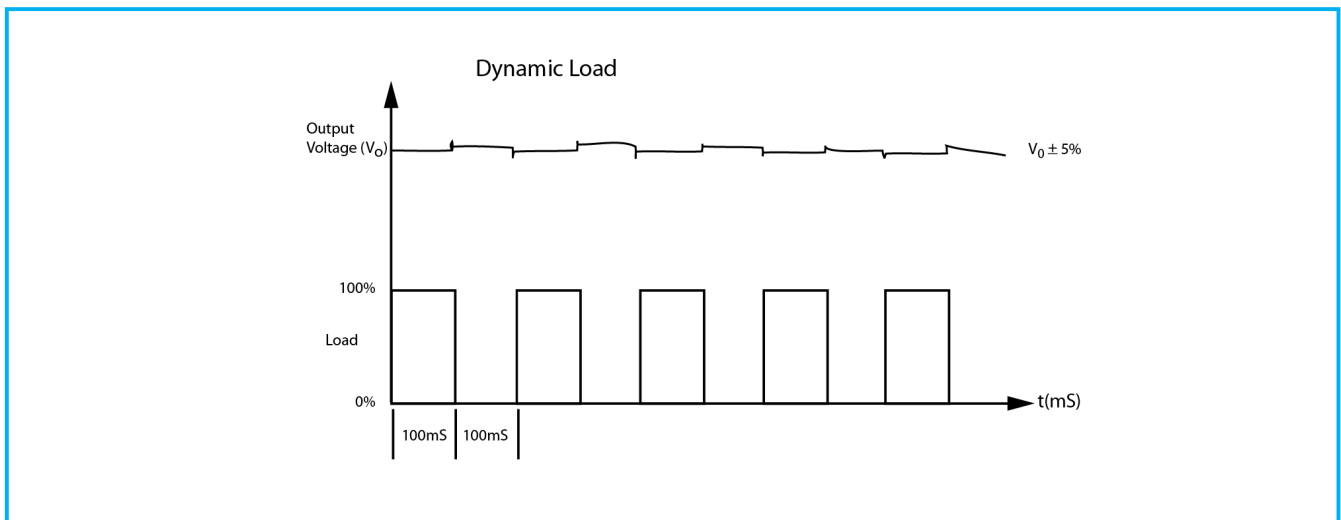


- **Output Voltage Adjust**

The 24 V DC connection is made using the "+" and "-" screw connections. At the time of delivery, the output voltage is 24 V DC. The output voltage can be set from 22 to 28 VDC on the potentiometer seen as V_{ADJ} on the front panel of each power supply.

- **Dynamic Load**

Additionally power supply is capable of dynamic change of load from 0% to 100% with o/p voltage within $\pm 5\%$ of regulation limits. See below the dynamic behavior of the power supply.



- **Redundancy & Parallel Operation with Oring Diode**

See below figure for a typical Redundant/Parallel operation of PSU using CliQ series power supplies. The 2 power supplies PSU1 & PSU 2 are connected thru a twin diode where Anode1 A1 is connected to the +Ve i.e. 24V of PSU1 and Anode2 A2 is connected to the +Ve i.e. 24V of PSU2 and the output ground GND are shorted together.

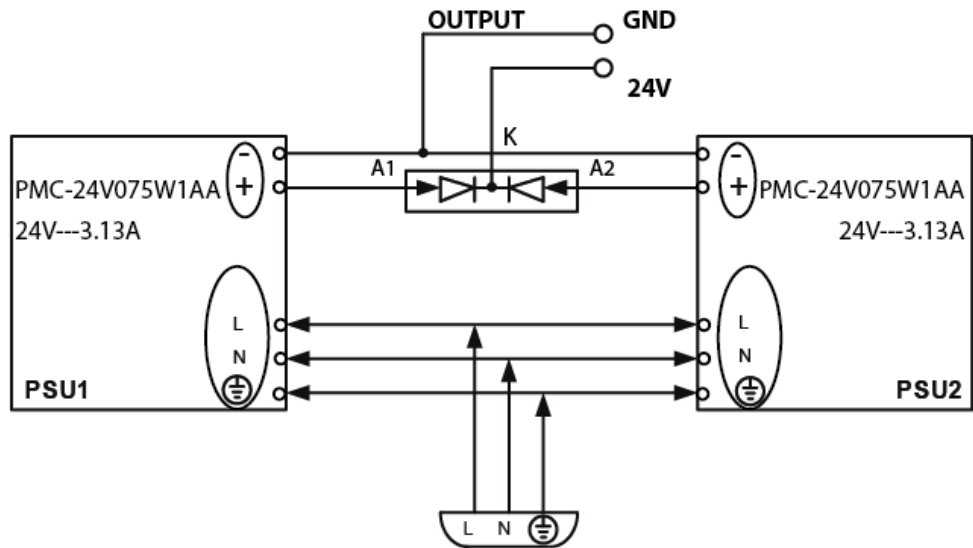
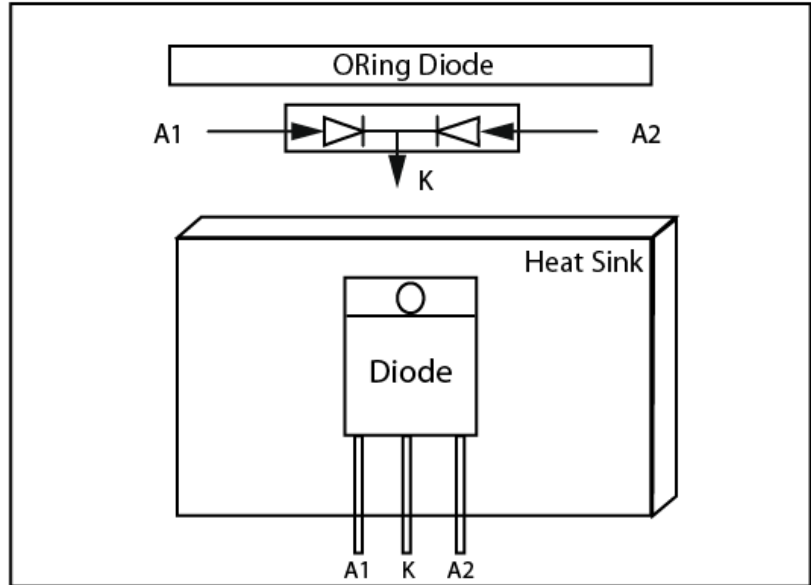
The output of these 2 power supplies PSU1 & PSU2 is drawn from the Cathode K of the twin diode thus making the power supply work in Redundant/Parallel operation.

Redundant Operation:

When 2 power supplies are connected in below manner the power supply PSU1 or PSU2 whichever has higher output voltage takes the max load and the other PSU is operating in standby (@No Load) in case of failure on PSU1, PSU2 takes over the load from PSU1 and supplies the required power to end system.

- Redundant / Parallel Operation with External Oring Diode

Redundance / Parallel Operation with External Oring Diode



Parallel Operation:

When 2 power supplies are also connected in the above manner they can share the Load provided following steps are taken.

Step 1:

Measure the o/p voltages @ NL measured from A1 to Gnd i.e. VA1 to Gnd of PSU1 and VA2 to Gnd of PSU2. If the voltages are not the same follow step 2. If the o/p voltages are the same skip step 2 and move to step 3.

Step 2:

Adjust the o/p voltages with the help of potentiometer available on the front panel of the PSU marked as ADJUST for both PSU1 and PSU2 at the same level for e.g. if PSU1 o/p is measuring 24.15Vdc and PSU2 is measuring 24.25Vdc adjust the o/p voltage of either PSU1 close to 24.25Vdc or adjust the o/p voltage of PSU2 close to 24.15Vdc.

Step 3:

Connect the PSU to the end system load and measure the o/p voltages from A1 to Gnd i.e. VA1 to Gnd of PSU1 and VA2 to Gnd of PSU2. Ensure that o/p voltages are same even after the 2 power supplies are connected to load. If not then adjust them with the VR available on Front panel. A tolerance of $\pm 25\text{mV}$ would be acceptable.

Note:

1. If the o/p voltage of any 1 power supply i.e. PSU1 or PSU2 is higher that power supply will take the initial load and also share the maximum load.
2. If the o/p voltages adjusted are same then an equal load current sharing between the 2 power supplies can be achieved.
3. The Oring diode must be of an appropriate rating, recommended rating of Oring Diode is minimum 4 times of the output load current and minimum reverse voltage rating of 45Vrr.
4. A suitable heat sink is also advised to ensure that oring Diode is not over heated and damaged.
5. Alternately, for redundant/parallel operation, use CliQ DRR-20A or DRR-40A (redundancy modules) for optimum performance.