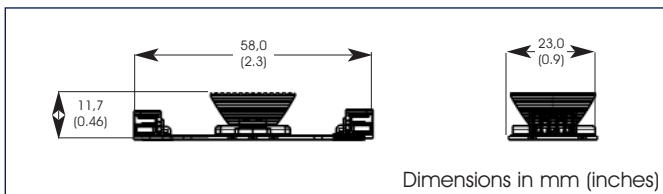


## LK1 LED Light Engine with optic



### OPERATING CONDITIONS

- ▲ Recommended PCB temp=55°C  
Maximum PCB temp = 105°C
- ▲ LED Life @ 65°C PCB temp = 50,000 hours
- ▲ For maximum performance, all "LinkLED" LED Light engines should be adhered to an appropriate heat sink

### FEATURES / BENEFITS

- ▲ Utilizes premium flux LUXEON® Rebel™ LEDs, 100+ lumens for cool white, 100+ lumens for neutral white and 50+ lumens for warm white
- ▲ Extremely long life of 50,000 hours at 55°C PCB temperature
- ▲ Modular "Plug & Play" system for flexible design in curved or unusually shaped areas.
- ▲ Available in 3 colours (cool white, neutral white, warm white)
- ▲ Other colour options available (consult factory)
- ▲ FR4 based PCB With thermal adhesive backing
- ▲ Passes; IEC-60695-2-12 for glow wire
- ▲ Recognized UL components and materials

### APPLICATIONS

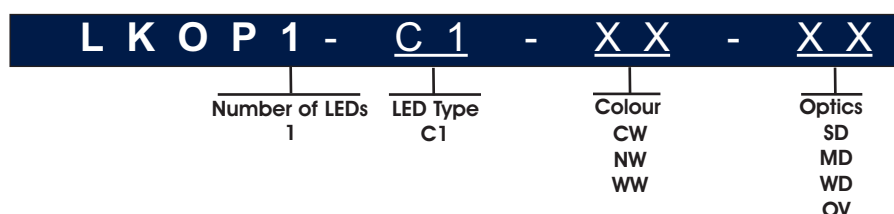
- ▲ Cove lighting
- ▲ Bars / reception areas
- ▲ Channel letters
- ▲ Can be integrated into OEM fixtures
- ▲ Other LK light engines available refer to website
- ▲ Display cases
- ▲ Interior use only
- ▲ Advertising

See second page for heatsink options

### MATERIALS/FINISH

- ▲ LUXEON® REBEL™ LEDs
- ▲ 1.0mm FR4 clad PCB substrate
- ▲ White solder resist finish
- ▲ ROHS compliant
- ▲ Lead free solder

### PART NUMBERS\*

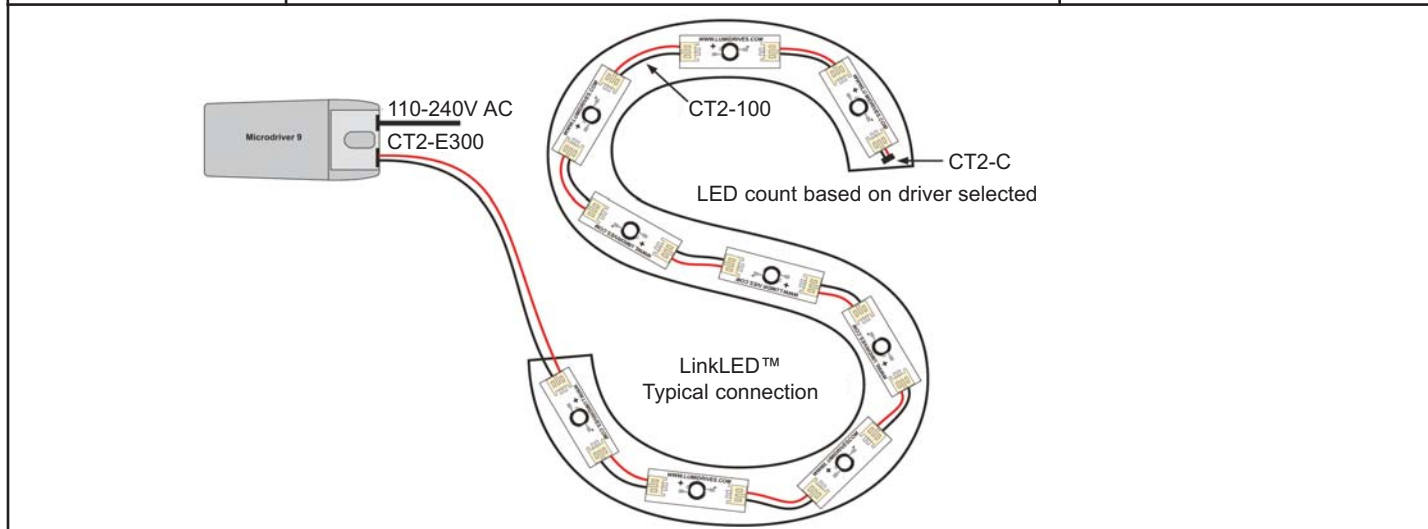


\*Other colour options available (consult factory MOQ applies)  
Dashes are for reference only

## WIRING INFORMATION

### AVAILABLE ASSOCIATED CABLES

CT2-C	2- way common connector	
CT2-100	2- way link lead 100mm (3.39")	
CT2-1000-24	2- way link lead 100mm (3.39") 24 AWG	
CT2-200	2- way link lead 200mm (7.87")	
CT2-200-24	2- way link lead 200mm (7.87") 24 AWG	
CT2-E300	2- way input lead 300mm (11.81")	
CT2-E300-24	2- way input lead 300mm (11.81") 24 AWG	



### COMPATIBLE DIALIGHT DRIVERS

Driver	Description	No. of units
MDU93570	(CE compliant 110-240VAC)	4*/9**
MDU-18-V-25-100	(CE compliant 120/230VAC dimmable)	18*/9**
MND70 9 Dimmable	(CE compliant 120/230VAC)	9* (mains dimmable)
MCDE18-350-P 18	(CE compliant 120/230VAC)	12*
MLD8-SC-35-70	(CE compliant 230VAC only)	8*/6**

\*at 350mA / \*\*at 700mA

### LINKLED HEATSINK OPTIONS

LK-HS9 Suitable for 9 LED's
LK-HS12 Suitable for 12 LED's

### TYPICAL LED PHOTOMETRIC DATA

Colour	Forward Voltage (Typ)	Max. Current (mA)	Typ. Power (Watts)	CCT			Min Luminous Flux (lm) / Radiometric Power (mW)	Typ Luminous Flux (lm) / Radiometric Power (mW)	Typ. luminous flux based on input drive current of 350mA maximum power consumption 1.2W per LED  Consult LUXEON REBEL data sheet for maximum input currents
				Min	Typ	Max			
Cool White	3.15	350	1.20	5000 K	5675 K	6350 K	90 lm	100 lm	
Neutral White	3.15	350	1.20	3800 K	3950 K	4100 K	90lm	100lm	
Warm White	3.15	350	1.20	2850 K	3050 K	3250 K	50lm	60lm	

Dialight reserves the right to make changes at any time in order to supply the best product possible. The most current version of this document will always be available at: [www.dialight.com/Assets/Brochures\\_And\\_Catalogs/Illumination/MDEXLKLD.pdf](http://www.dialight.com/Assets/Brochures_And_Catalogs/Illumination/MDEXLKLD.pdf)