

SMD, 14 PIN, 10 BASE-T FILTER FOR PCMCIA APPLICATIONS

P/N: FS94NS: APPLY TO GENERIC IC

A. GENERAL SPECIFICATIONS:

1. DESIGNED FOR 10 BASE-T, PCMCIA ICs APPLICATION.
2. FULLY COMTATIBLE WITH IEEE 802.3 STANDARD.
3. 14-PIN SMD LOW PROFILE PACKAGE.
4. OPERATING TEMP RANGE: 0°C TO 70°C.
5. STORAGE TEMP RANGE: -25°C TO +125°C.

B. ELECTRICAL SPECIFICATIONS @ 25°C:

	TX	RX
1. TYPE	:7 POLE	:5 POLE
2. CUT-OFF FREQ	:17+/-1.5MHz	: 17+/-1.5MHz
3. INSERTION LOSS (10MHz)	:-12.5 dB MAX.	:-5 dB MAX.

*TESTING INCLUDES PRE-DISTORTION RESISTOR WHICH REFLECTS ADDITIONAL ATTENUATION.

4. ATTENUATION AT 30 MHz:	-23 dB MIN	:-15 dB MIN
AT 50 MHz:	-30 dB MIN	:-25 dB MIN

5. HI-POT :1500 VRMS :1500 VRMS

6. COMMON MODE REJECTION (30-100 MHz): -30 dB MIN : -30 dB MIN

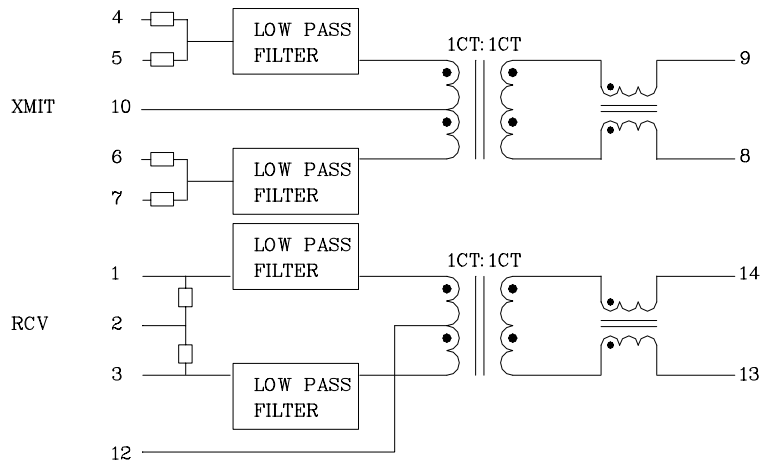
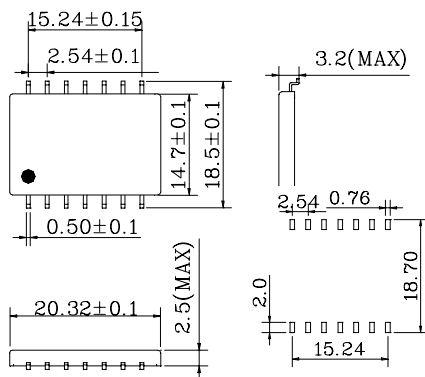
7. RETURN LOSS (5-10 MHz): -30 dB MIN : -15 dB MIN

8. CROSS TALK ATTENUATION:

(1-10 MHz): BETWEEN CHANNELS: -30 dB MIN

*REFERENCED TO FILTER OUTPUT AT 5.0 MHz

C. DIMENSIONS & SCHEMATIC: (unit mm)



D. MARKING:



PIN 1 DOT