



Frontier Electronics Corp.

667 E. COCHRAN STREET, SIMI VALLEY, CA 93065

TEL: (805) 522-9998 FAX: (805) 522-9989

E-mail: frontiersales@frontierusa.com

Web: <http://www.frontierusa.com>

1.5A FAST RECOVERY PLASTIC RECTIFIER

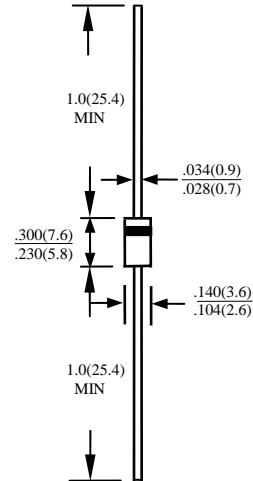
FR15-005 THRU FR15-10

FEATURES

- LOW COST
- DIFFUSED JUNCTION
- LOW LEAKAGE
- LOW FORWARD VOLTAGE DROP
- HIGH CURRENT CAPABILITY
- FAST SWITCHING

MECHANICAL DATA

- CASE: JEDEC DO-15 MOLDED PLASTIC, DO15, DIMENSIONS IN INCHES AND (MILLIMETERS)
- TERMINAL: AXIAL LEADS, SOLDERABLE PER MIL-STD-202, METHOD 208
- POLARITY: COLOR BAND DENOTES CATHODE
- MOUNTING POSITION: ANY
- WEIGHT: 0.4 GRAMS



MAXIMUM RATINGS AND ELECTRICAL CHARACTERISTICS RATINGS AT 25°C AMBIENT TEMPERATURE UNLESS OTHERWISE SPECIFIED
SINGLE PHASE, HALF WAVE, 60 HZ, RESISTIVE OR INDUCTIVE LOAD. FOR CAPACITIVE LOAD, DERATE CURRENT BY 20%

RATINGS	SYMBOL	FR15-005	FR15-01	FR15-02	FR15-04	FR15-06	FR15-08	FR15-10	UNITS
MAXIMUM RECURRENT PEAK REVERSE VOLTAGE	V_{RRM}	50	100	200	400	600	800	1000	V
MAXIMUM RMS VOLTAGE	V_{RMS}	35	70	140	280	420	560	700	V
MAXIMUM DC BLOCKING VOLTAGE	V_{DC}	50	100	200	400	600	800	1000	V
MAXIMUM AVERAGE FORWARD RECTIFIED CURRENT 0.375" (9.5mm) LEAD LENGTH AT $T_A=55^\circ\text{C}$	I_O	1.5							A
PEAK FORWARD SURGE CURRENT, 8.3ms SINGLE HALF SINE-WAVE SUPERIMPOSED ON RATED LOAD	I_{FSM}	50							A
TYPICAL JUNCTION CAPACITANCE (NOTE 1)	C_j	25							PF
TYPICAL THERMAL RESISTANCE (NOTE 2)	$R_{\theta ja}$	40							$^\circ\text{C/W}$
STORAGE TEMPERATURE RANGE	T_{STG}	-55 TO + 150							$^\circ\text{C}$
OPERATING TEMPERATURE RANGE	T_{OP}	-55 TO + 150							$^\circ\text{C}$

ELECTRICAL CHARACTERISTICS ($A_T T_A = 25^\circ\text{C}$ UNLESS OTHERWISE NOTED)

CHARACTERISTICS	SYMBOL	FR15-005	FR15-01	FR15-02	FR15-04	FR15-06	FR15-08	FR15-10	UNITS
MAXIMUM FORWARD VOLTAGE AT I_O DC	V_F	1.3							V
MAXIMUM REVERSE CURRENT AT 25°C	I_R	5							μA
MAXIMUM REVERSE CURRENT AT 100°C	I_R	50							μA
MAXIMUM REVERSE RECOVERY TIME (NOTE3)	T_{RR}	150			250		500		nS

- NOTE: 1. MEASURED AT 1 MHZ AND APPLIED REVERSE VOLTAGE OF 4.0 VOLTS
2. BOTH LEADS ATTACHED TO HEAT SINK 20x20x1t(mm) COPPER PLATE AT LEAD LENGTH 5mm
3. REVERSE RECOVERY TEST CONDITIONS: $I_F=0.5\text{A}$, $I_R=1.0\text{A}$, $I_{RR}=0.25\text{A}$

RATINGS AND CHARACTERISTIC CURVE FR15-005 THRU FR15-10

FIG. 1-TEST CIRCUIT DIAGRAM AND REVERSE RECOVERY TIME CHARACTERISTIC

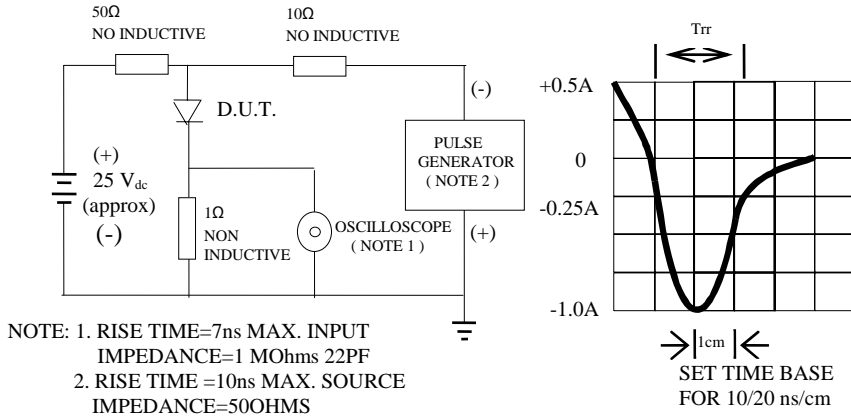


Fig. 2-MAXIMUM CURRENT DERATING CURVE

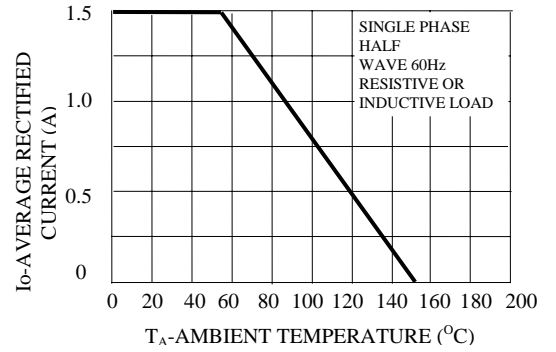


FIG. 3-TYPICAL REVERSE CHARACTERISTICS

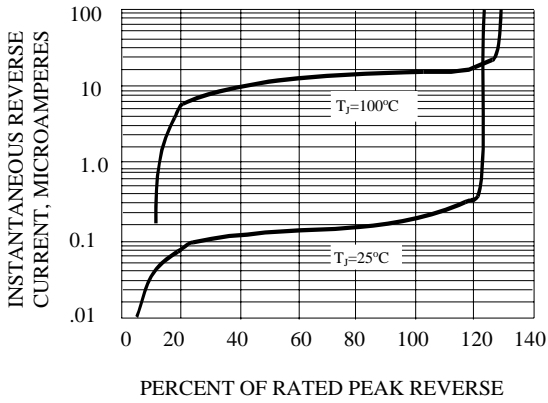


Fig. 4-MAXIMUM FORWARD SURGE NUMBER OF CYCLES

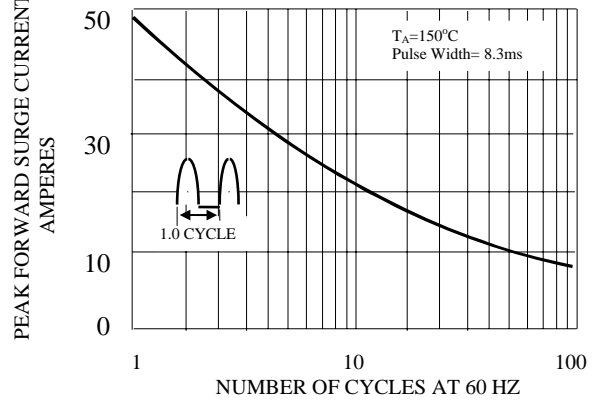


FIG. 5-TYPICAL JUNCTION CAPACITANCE

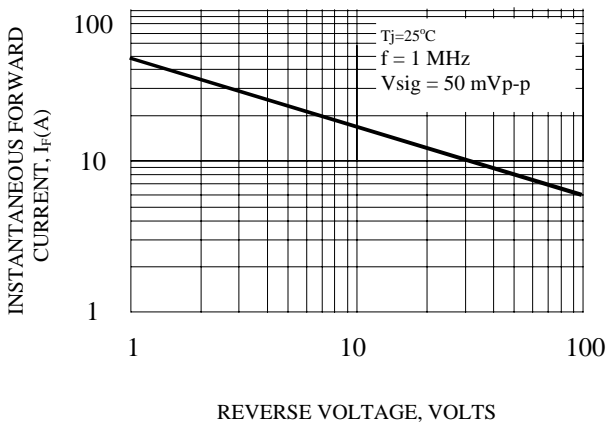


FIG. 6-TYPICAL INSTANTANEOUS FORWARD CHARACTERISTICS

