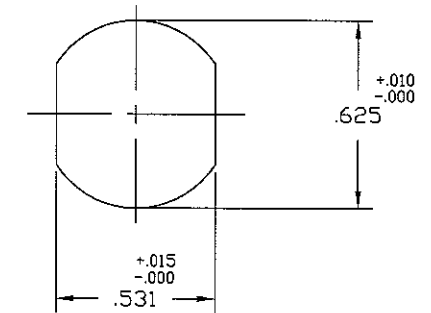
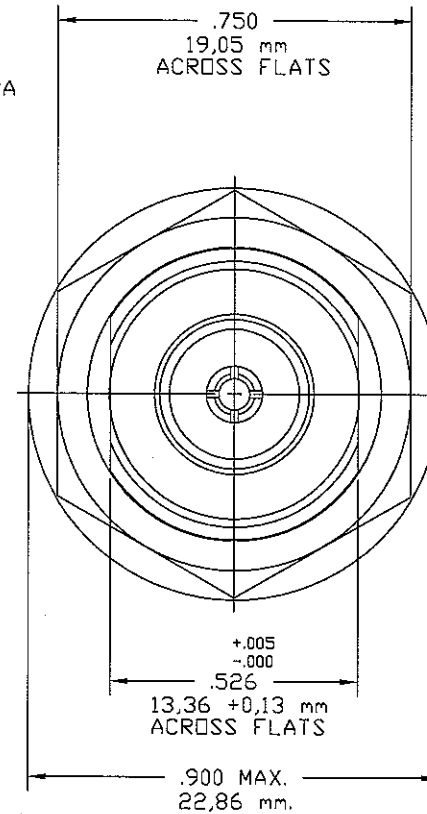
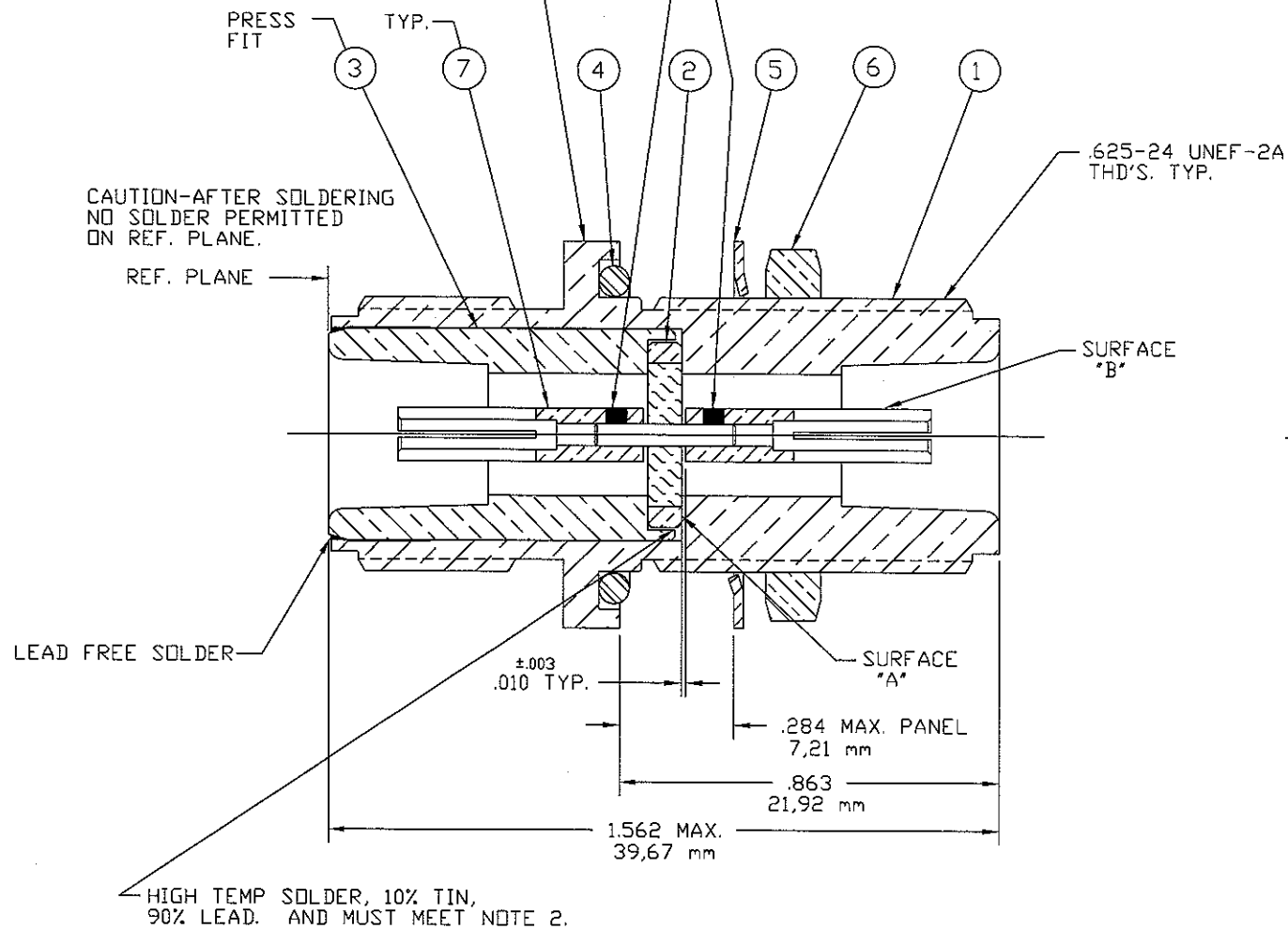


STAMP *74868 UG-30D/U
IN 1/16 HIGH DEPRESSED
CHARACTERS.

HIGH TEMP. SOLDER USING KESTER #44, RESIN CORED, 10% TIN
90% LEAD SOLDER ONLY, APPROVED BY ENGINEERING.
TYP. 2 PLACES. NO SOLDER SHALL APPEAR ON EXTERNAL
SURFACES OF CONTACT.

REV	OFFICIAL ENG. RELEASE	DATE	ECD #	APPR
V	REDESIGNED & REDRAWN	10/29/87	34714	DET
W	REDRAWN TO AUTOCAD STDS., NO CHANGES	8/7/91	38343	DL
X	.010±.003 WAS .010±.001, ADDED NOTES 5,6,7	7/2/92	38987	RP/RV
Y	CHG'D. PLATE NOTE 4; ADDED PLATE LETTERS.	2/8/93	39297	DR
AA	CHG'D SOFT SOLDER TO HIGH TEMP & LEAD FREE	6/2/05	45566	CPM



RECOMMENDED MOUNTING HOLE

91100
DRAWING NUMBER
ISSUE
AA

NOTES:

- MUST MEET REQUIREMENTS OF RE A 10244 PARA. 1A, 2, 3A, 5A, 6, & 21.
- THIS ITEM MUST BE CAPABLE OF WITHSTANDING A 50 P.S.I. AIR PRESSURE, APPLIED TO ONE END FOR 20 SECONDS WITHOUT SHOWING ANY VISABLE OR DETECTABLE LEAKS WHEN IMMERSED IN WATER.
- AFTER PRESSURE TEST (NOTE 2) CONN. SHALL WITHSTAND AN INSULATION RESISTANCE TEST OF 100,000 MEGOHMS.
- PLATING MUST CONFORM TO AMPHENOL SPEC. 349-50560.
- MUST CONFORM TO AMPHENOL SPEC. 349-50551, SECTION 304, EXCEPT CENTER CONTACT MUST WITHSTAND A 6 LBS. AXIAL FORCE.
- ITEMS 4, 5, & 6 ARE SHIPPED LOOSE.
- PACKAGE CONNECTOR IN BAG 999-226.

CAD FILE H:\DEPT611\N\000\ASSY\91100.DWG

PART NUMBER	QTY	ITEM	DESCRIPTION	FINISH
82-11233-F	2	7	CONTACT	NOTE 4
82-1254 F	1	6	NUT	NOTE 4
31-10512-F	1	5	LOCKWASHER	NOTE 4
91105	1	4	GASKET	NONE
82-11231-F	1	3	BUSHING	NOTE 4
82-11232-F	1	2	GLASS BEAD S/A.	NOTE 4
82-11230-F	1	1	BODY	NOTE 4

UNLESS OTHERWISE SPECIFIED, DIMENSIONS ARE IN INCHES AND TOLERANCES ARE: 2 PLACE DECIMAL ±.015 (0,381 mm) 3 PLACE DECIMAL ±.005 (0,127 mm) ANGLES ± 1'	MATERIAL	DRAWN D. TARRANT 10/27/87	DATE 10/27/87	TITLE TYPE "N" ADAPTER PRESSURIZED JACK/JACK UG-30D	Amphenol Amphenol Corporation RF/Microwave Operations Danbury, Conn. U.S.A. 06810 SCALE: 4/1
	REFERENCE SEE NOTE 1	ENGINEER D. TARRANT 10/27/87	DATE 10/27/87	CODE ID 74868	
NOTICE - These drawings, specifications, or other data (1) are, and remain the property of Amphenol Corp. (2) must be returned upon request; and (3) are confidential and not to be disclosed to any person other than those to whom they are given by Amphenol Corp. The furnishing of these drawings, specifications, or other data by Amphenol Corp., or to any other person to anyone for any purpose is not to be regarded by implication or otherwise in any manner licensing, granting rights or permitting such holder or any other person to manufacture, use or sell any product, process or design, patented or otherwise, that may in any way be related to or disclosed by said drawings, specifications, or other data.		QUALITY ASSURANCE C. LaDOLCE 10/28/87	DATE 10/28/87	DWG SIZE B	DRAWING NO. 91100
		MFG ENG M. VARANELLI 10/27/87	DATE 10/27/87	ISSUE AA	