

PLEASE CHECK WWW.MOLEX.COM FOR LATEST PART INFORMATION

Part Number: [5008100000](#)
Status: **Active**
Description: Mini-HMC™ Shielded I/O Plug Shell, 40 Circuits, 8 Rows, Polarizing Key Type A

Documents:

[3D Model](#) [Product Specification PS-500810-001 \(PDF\)](#)
[Drawing \(PDF\)](#) [RoHS Certificate of Compliance \(PDF\)](#)

General

Product Family	I/O Connectors
Series	500810
Application	Panel-Mount, Wire-to-Wire
Component Type	Plug Shell Body
Product Name	Mini-HMC™
Type	N/A

Physical

Boot Color	N/A
Circuits (Loaded)	40
Circuits (maximum)	40
Durability (mating cycles max)	50
Gender	Plug
Keying to Mating Part	Yes
Lock to Mating Part	Yes
Material - Metal	Brass
Material - Plating Mating	Copper
Material - Plating Termination	Copper
Number of Rows	2
Orientation	Vertical
PCB Locator	No
Packaging Type	Bag
Panel Mount	Screws
Pitch - Mating Interface (in)	0.000 In
Pitch - Mating Interface (mm)	0.00 mm
Plating min: Mating (µin)	20
Plating min: Mating (µm)	0.5
Plating min: Termination (µin)	20
Plating min: Termination (µm)	0.5
Polarized to Mating Part	Yes
Polarized to PCB	No
Ports	1
Surface Mount Compatible (SMC)	No
Temperature Range - Operating	-55°C to +105°C
Termination Interface: Style	Surface Mount
Waterproof / Dustproof	Yes
Waterproof / Dustproof Type	IP65

Electrical

Current - Maximum per Contact	1.5A, 2.5A
Shield Type	Full Shield
Shielded	Yes
Voltage - Maximum	250V

Material Info

Reference - Drawing Numbers

Product Specification	PS-500810-001, RPS-500810-001
-----------------------	-------------------------------



EU RoHS
ELV and RoHS
Compliant
REACH SVHC
 Not Reviewed
Halogen-Free
Status
 Not Reviewed

China RoHS



Need more information on product environmental compliance?

Email productcompliance@molex.com
 For a multiple part number RoHS Certificate of Compliance, [click here](#)

Please visit the [Contact Us](#) section for any non-product compliance questions.

Search Parts in this Series
[500810Series](#)

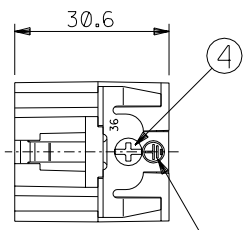
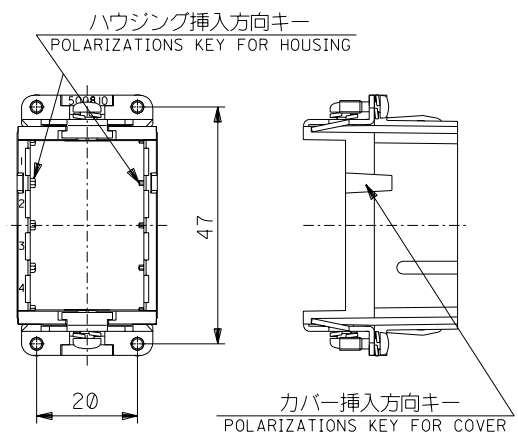
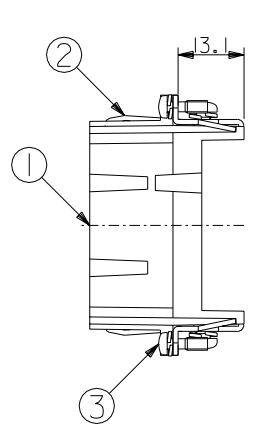
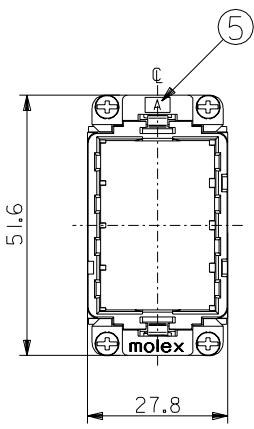
Mates With
[500809-0000](#) Receptacle Shell

Use With
[500811-0010](#) Cover, [500812-1000](#) Plug Housing, [56118](#) Plug Terminal, [56119](#) Plug Terminal

This document was generated on 04/01/2010

PLEASE CHECK WWW.MOLEX.COM FOR LATEST PART INFORMATION

DWG. NO. SD-500810-001



PEマーク表示
PE MARK IDENTIFICATION

注記:
NOTES:

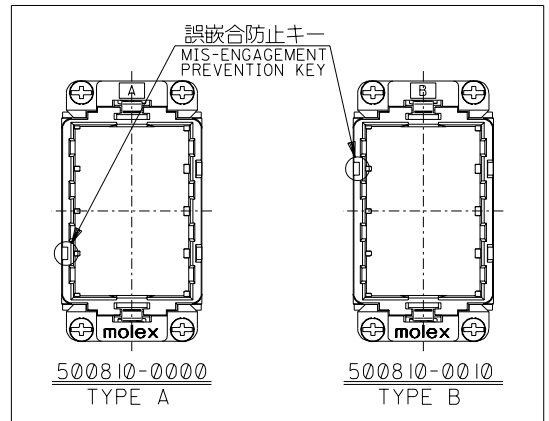
- 適用プラグカバーアッセンブリ
APPLICABLE PLUG COVER ASS'Y
ストレートタイプ : 500811-0010
STRAIGHT TYPE
- 適用ハウジングとターミナル
APPLICABLE HOUSING AND TERMINAL

適用ハウジング APPLICABLE HOUSING	適用ターミナル APPLICABLE TERMINAL
ピンハウジング PIN HOUSING	56118-8*** 56119-8***
ソケットハウジング SOCKET HOUSING	56120-8*** 56121-8***

- 推奨ねじ締め付トルク:
RECOMMENDED TIGHTENING TORQUE
① M3 : 5~6kgf・cm
② M2.5 : 4~5kgf・cm

- 適用グラウンド圧着端子
APPLICABLE CRIMP TERMINAL FOR GROUND
活線と同等かそれ以上の電線サイズに適用した圧着端子を使用。
RING TERMINAL FOR POWER WIRE SIZE OR BIGGER ONE.

部番 No.	部品名 PART NAME	数量 QTY.	材質 MATERIAL	記事 ARTICLE
①	プラグ シェル PLUG SHELL	1	アルミニウム合金 ALUMINIUM ALLOY	—
②	プラグ グラウンド ターミナル PLUG GROUND TERMINAL	2	黄銅 BRASS	Niメッキ Ni PLATING
③	ばね座金組込みプラマイねじ(M2.5×8) FREE DRIVE HEAD SCREWS WITH SPRING WASHER (M2.5×8)	4	鋼 STEEL	Niメッキ Ni PLATING
④	ばね座金組込みプラマイねじ(M3×5) FREE DRIVE HEAD SCREWS WITH SPRING WASHER (M3×5)	2	鋼 STEEL	Niメッキ Ni PLATING
⑤	ラベル LABEL	1	ポリエステル POLYESTER	—



B	500810-0010	500810-00*0
A	500810-0000	
TYPE	MATERIAL NO.	MODEL NO.

DO NOT SCALE DRAWING

EC NO. DRWN: CHK: APPR:	EC NO. DRWN: CHK: APPR:	EC NO. DRWN: CHK: APPR:	EC NO. DRWN: CHK: APPR:	EC NO. DRWN: CHK: APPR:	REV
					0

DESCRIPTION	MATERIAL 材料	FINISH 仕上げ	WIRE RANGE 適用電線範囲	INS. RANGE 被覆外径
表参照 SEE TABLE		—	—	—

GENERAL TOLERANCES: (UNLESS SPECIFIED) 一般公差	SCALE	DESIGN UNITS □mm □INCH	
10 UNDER 未満 ±0.2	DRAWN BY & DATE S. Akigama '03/06/25	THIRD ANGLE PROJECTION	
10 OVER 30 UNDER 未満 ±0.25			CHECKED BY & DATE Y. Ota '03/07/02
30 OVER 以上 ±0.3			APPROVED BY & DATE Y. Ota '03/07/02
ANGLE 角度 ±3°	CAD FILENAME SD-500810-001.S01	MATERIAL NO. SEE CHART	

TITLE:	DIMENSIONS: □mm □INCH	SHT	REV
MINI ROBOT CONN. 40P PLUG SHELL ASS'Y	<input type="checkbox"/> mm <input type="checkbox"/> INCH <input checked="" type="checkbox"/> mm ONLY		REVISE ON CAD ONLY
MOLEX INCORPORATED			
MATERIAL NO. SD-500810-001	DRAWING NO. SD-500810-001	SHEET NO. 1 OF 1	SIZE B

THIS DRAWING CONTAINS INFORMATION THAT IS PROPRIETARY TO MOLEX INCORPORATED AND SHOULD NOT BE USED WITHOUT WRITTEN PERMISSION.