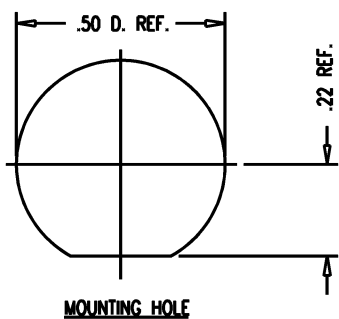
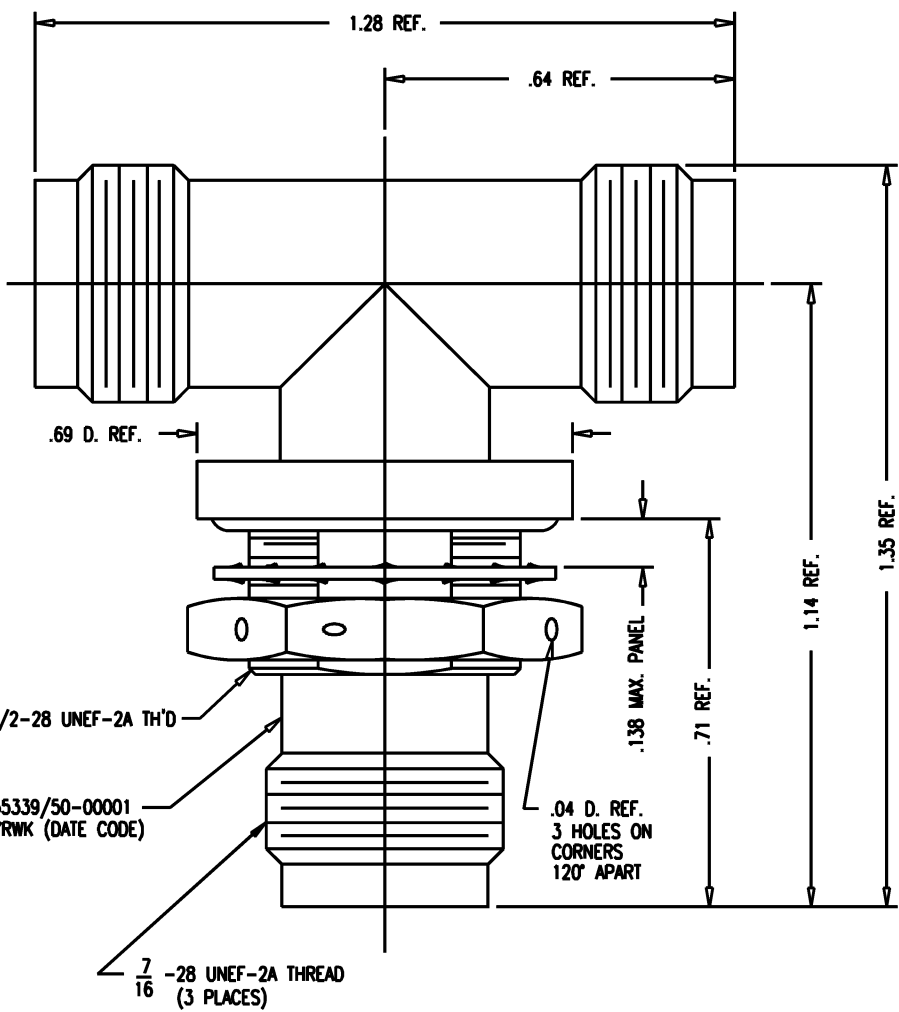


GSD

M55339/50-00001

REVISIONS

ISSUE	CHANGES
4	CN 23170 E M.A. 03/22/90
5	CN 35618 D ME 01/10/95
6	CN 36060 C ME 01/20/95
7	CN 37937 E TML 12/09/99



NOTES:

- MATERIALS:**
 INSULATORS: TEFLON, ASTM-D-4894
 LOCKWASHER: PHOSPHOR BRONZE, ASTM-B-103
 O-RING: SYNTHETIC RUBBER, PER MIL-P-25732
 CENTER CONTACTS: BER. COPPER, ASTM-B-196
 ALL OTHER METAL PARTS: BRASS, ASTM-B16
- FINISHES:**
 CENTER CONTACTS: GOLD PLATE PER MIL-G-45204
 ALL OTHER METAL PARTS: BRASS, ASTM-B16
- ELECTRICAL CHARACTERISTICS:**
 WORKING VOLTAGE: 500 VOLTS RMS
 NOMINAL IMPEDANCE: 50 OHMS
 FREQUENCY RANGE: DC TO 11 GHz.
- MARK PACKAGE:** 91836 M55339/50-00001
 129-6 YR WK (DATE CODE)

STAMP:
 91836 M55339/50-00001
 129-6 YRWK (DATE CODE)

1296S

SCALE 4:1	
APPROX SURFACE AREA	
129-6	
USED ON	
REF:	
TNC BULKHEAD ADAPTER F-F-F	
DRAWN WJM	DATE 04/27/90
DESIGN MJB	DATE 05/09/90
APPR.	DATE

GSD

KINGS
 ELECTRONICS CO., INC.
 ROCK HILL, SOUTH CAROLINA 29730
 M55339/50-00001