

PLEASE CHECK WWW.MOLEX.COM FOR LATEST PART INFORMATION

Part Number: [0050842150](#)
Status: **Active**
Overview: [mlx](#)
Description: 2.13mm (.084") Diameter MLX™ Pin and Socket Receptacle, 15 Circuits

Documents:

[3D Model](#) [Product Specification PSX-42022-0002 \(PDF\)](#)
[Drawing \(PDF\)](#) [RoHS Certificate of Compliance \(PDF\)](#)
[Product Specification PS-42022-0001 \(PDF\)](#)

Agency Certification

CSA LR19980
 UL E29179

General

Product Family Crimp Housings
 Series [42022](#)
 Comments Glow Wire Equivalent Part Number [366440008](#)
 Overview [mlx](#)
 Product Name MLX™

Physical

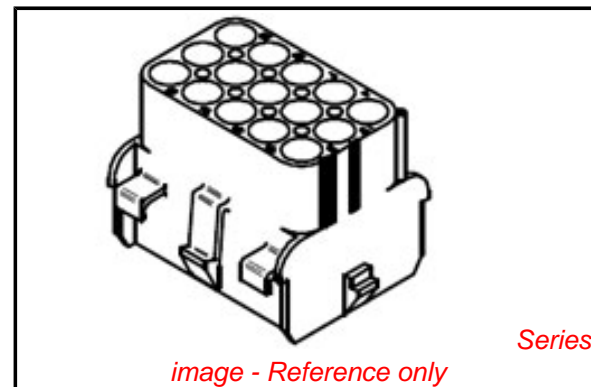
Circuits (maximum) 15
 Circuits Detail 15
 Color - Resin Natural
 Flammability 94V-2
 Gender Female
 Glow-Wire Compliant No
 Keying to Mating Part None
 Lock to Mating Part Yes
 Material - Resin Nylon
 Number of Rows 3
 Packaging Type Bag
 Panel Mount Yes
 Pitch - Mating Interface (in) 0.250 In
 Pitch - Mating Interface (mm) 6.35 mm
 Polarized to Mating Part Yes
 Stackable No
 Temperature Range - Operating -55°C to +105°C

Material Info

Old Part Number 42022-15A

Reference - Drawing Numbers

Packaging Specification PK-42022-**
 Product Specification PS-42022-0001, PSX-42022-0002
 Sales Drawing SD-42022-**



EU RoHS

ELV and RoHS Compliant
REACH SVHC
 Not Reviewed
Halogen-Free Status

China RoHS



Need more information on product environmental compliance?

Email productcompliance@molex.com
 For a multiple part number RoHS Certificate of Compliance, [click here](#)

Please visit the [Contact Us](#) section for any non-product compliance questions.

Search Parts in this Series

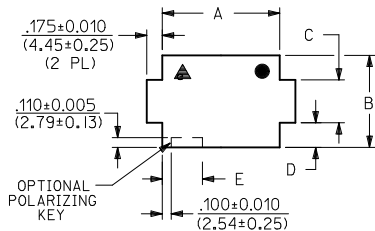
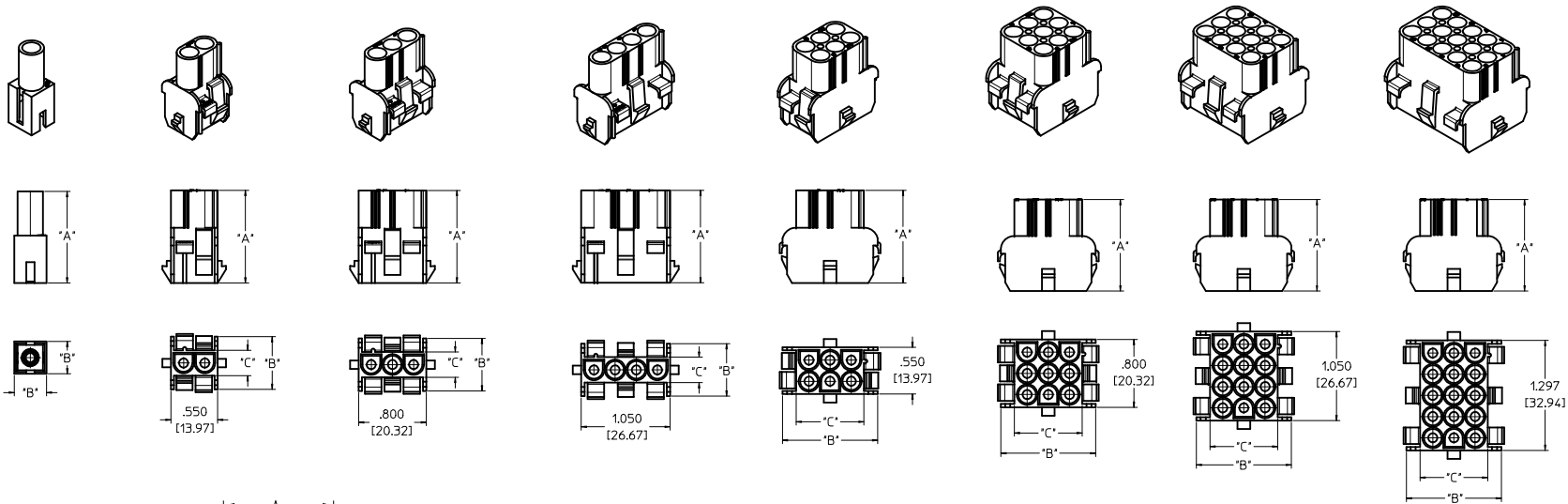
[42022Series](#)

Mates With

[42021 MLX™ Power Crimp Housing Plug](#)

Use With

MLX Crimp Terminal [42023](#) , [42024](#)



RECOMMENDED PANEL CUTOUT

PANEL THICKNESS: .030-.090/(0.76-2.29)
(SEE NOTE 6)

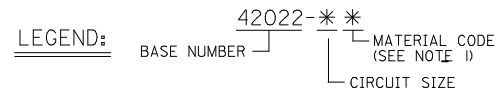
| CIRCUIT SIZE | DIMENSIONS | | | | |
|--------------|------------------|------------------|-----------------|----------------|----------------|
| | A±.005 | B±.005 | C±.010 | D±.010 | E±.010 |
| 2 | .565 (14.35) | .530 (13.46) | .340 (8.64) | .095 (2.41) | .250 (6.35) |
| 3 | .815 (20.70) | .530 (13.46) | .340 (8.64) | .095 (2.41) | .250 (6.35) |
| 4 | 1.065 (27.05) | .530 (13.46) | .340 (8.64) | .095 (2.41) | .250 (6.35) |
| 6 | .565 (14.35) | 1.030 (26.16) | .480 (12.19) | .275 (6.99) | .250 (6.35) |
| 8 | 2.065 (52.45) | .530 (13.46) | .340 (8.64) | .095 (2.41) | .250 (6.35) |
| 9 | .815 (20.70) | 1.030 (26.16) | .480 (12.19) | .275 (6.99) | .250 (6.35) |
| 12 | 1.065 (27.05) | 1.030 (26.16) | .480 (12.19) | .275 (6.99) | .350 (8.89) |
| 15 | 1.315 (33.40) | 1.030 (26.16) | .480 (12.19) | .275 (6.99) | .350 (8.89) |

▲ - CIRCUIT #1 LOCATION WHEN USING POLARIZING KEY OPTION WITH 2, 3, 4 AND 8 CIRCUIT HOUSINGS.

● OPTION WITH 6, 9, 12 AND 15 CIRCUIT HOUSINGS.

NOTES:

- 1) MATERIAL CODES:
 A = PA6/6, V-2
 COLOUR: NATURAL-TRANSLUCENT
 C = PA66/6, V-0
 COLOUR: NATURAL-OPAQUE
 D = PA6, 94V-2
 COLOUR-NATURAL
 FOR GLOW WIRE APPLICATION WITH
 CTI OF 325 VOLTS,AS PER IEC-60335-1 4TH EDITION
 E = NYLON PA6, 94V-2
 COLOUR- BLACK (ZYTEL 101F)
- 2) UNLESS OTHERWISE INDICATED, DIMENSIONS ARE FOR REFERENCE ONLY.
- 3) CAP HOUSINGS MATE WITH :
 - PLUG HOUSINGS, .084/(2.13) DIA. SERIES: (42021-**)
- 4) HOUSINGS DESIGNED TO BE USED WITH TERMINALS:
 - PINS, .084/(2.13) DIA. SERIES: (42023-****)
 - SOCKETS, .084/(2.13) DIA. SERIES: (42024-****)
- 5) CONTACTS ARE ON .250/(6.35) GRID CENTERLINE SPACING.
- 6) PANEL TO BE PUNCHED SO THAT THE HOUSING ENTERS THE PANEL OPPOSITE THE SIDE WITH THE BURR (I.E. OPPOSITE THE BREAK SIDE).
- 7) PRODUCT SPECIFICATION PS-42022-0001 APPLIES.
- 8) LEGEND SCHEME IS NOT APPLICABLE FOR GLOW WIRE COMPATIBLE PART NUMBERS



| | | | | | | | |
|---|-----------------|---|---|---|-------------------------------|------------------------|---------------------|
| ENTER DESCRIPTION EC NO: 2005-0548 2006/11/15 CH: 02050548 2006/11/15 APPROVED: 2009/12/01 | QUALITY SYMBOLS | GENERAL TOLERANCES (UNLESS SPECIFIED) | DIMENSION STYLE MM ONLY | SCALE 2:1 | DESIGN UNITS METRIC | THIRD ANGLE PROJECTION | |
| | ▽=0 ▽=0 | mm INCH | DRAWN BY DATE RK 8/7/11/15 | TITLE HOUSING CAP .084/(2.13) DIA. SERIES | | | |
| | | 4 PLACES ± --- ± --- 3 PLACES ± --- ± --- 2 PLACES ± 0.25 ± --- 1 PLACE ± 0.36 ± --- | CHECKED BY DATE GWF 8/7/11/15 | APPROVED BY DATE GWF 8/7/11/15 | | | |
| | | ANGULAR ± --- ° | MATERIAL NO. 9999999999 | DOCUMENT NO. SD-42022-*** | | | SHEET NO. 1 OF 2 |
| | | DRAFT WHERE APPLICABLE MUST REMAIN WITHIN DIMENSIONS | MOLEX INCORPORATED THIS DRAWING CONTAINS INFORMATION THAT IS PROPRIETARY TO MOLEX INCORPORATED AND SHOULD NOT BE USED WITHOUT WRITTEN PERMISSION | | | | |

| PART NO. | ENG. NO. | CIRCUIT SIZE | MATERIAL (SEE NOTE 1) | STATUS | DIM. "A" | DIM. "B" | DIM. "C" |
|-------------|-----------|--------------|--------------------------|--------|------------------|------------------|-----------------|
| 050-84-2010 | 42022-1A | 1 | A | ACTIVE | 1.090 (27.70) | .380 (9.65) | ---- |
| 050-84-2012 | 42022-1C | 1 | C | ACTIVE | | | |
| 366440001 | 36644-001 | 1 | D | ACTIVE | | | |
| 366480021 | 36648-021 | 1 | E | ACTIVE | | | |
| 050-84-2020 | 42022-2A | 2 | A | ACTIVE | 1.090 (27.70) | .620 (15.75) | .300 (7.62) |
| 050-84-2022 | 42022-2C | 2 | C | ACTIVE | | | |
| 366440002 | 36644-002 | 2 | D | ACTIVE | | | |
| 366480022 | 36648-022 | 2 | E | ACTIVE | | | |
| 050-84-2030 | 42022-3A | 3 | A | ACTIVE | 1.090 (27.70) | .620 (15.75) | .300 (7.62) |
| 050-84-2032 | 42022-3C | 3 | C | ACTIVE | | | |
| 366440003 | 36644-003 | 3 | D | ACTIVE | | | |
| 366480023 | 36648-023 | 3 | E | ACTIVE | | | |
| 050-84-2040 | 42022-4A | 4 | A | ACTIVE | 1.090 (27.70) | .620 (15.75) | .300 (7.62) |
| 050-84-2042 | 42022-4C | 4 | C | ACTIVE | | | |
| 366440004 | 36644-004 | 4 | D | ACTIVE | | | |
| 366480024 | 36648-024 | 4 | E | ACTIVE | | | |
| 050-84-2060 | 42022-6A | 6 | A | ACTIVE | 1.090 (27.70) | 1.120 (28.45) | .800 (20.32) |
| 050-84-2062 | 42022-6C | 6 | C | ACTIVE | | | |
| 366440005 | 36644-005 | 6 | D | ACTIVE | | | |
| 366480025 | 36648-025 | 6 | E | ACTIVE | | | |
| 050-84-2090 | 42022-9A | 9 | A | ACTIVE | 1.090 (27.70) | 1.120 (28.45) | .800 (20.32) |
| 050-84-2092 | 42022-9C | 9 | C | ACTIVE | | | |
| 366440006 | 36644-006 | 9 | D | ACTIVE | | | |
| 366480026 | 36648-026 | 9 | E | ACTIVE | | | |
| 050-84-2120 | 42022-12A | 12 | A | ACTIVE | 1.090 (27.70) | 1.120 (28.45) | .800 (20.32) |
| 050-84-2122 | 42022-12C | 12 | C | ACTIVE | | | |
| 366440007 | 36644-007 | 12 | D | ACTIVE | | | |
| 366480027 | 36648-027 | 12 | E | ACTIVE | | | |
| 050-84-2150 | 42022-15A | 15 | A | ACTIVE | 1.090 (27.70) | 1.120 (28.45) | .800 (20.32) |
| 050-84-2152 | 42022-15C | 15 | C | ACTIVE | | | |
| 366440008 | 36644-008 | 15 | D | ACTIVE | | | |
| 366480028 | 36648-028 | 15 | E | ACTIVE | | | |

| ENTER DESCRIPTION EC NO: 2005-0545 2006/11/08 CHKD: PRASAD 2006/11/23 APPR: PRASAD 2006/12/07 | QUALITY SYMBOLS 60 30 | GENERAL TOLERANCES (UNLESS SPECIFIED) <table border="1"> <tr> <th></th> <th>mm</th> <th>INCH</th> </tr> <tr> <td>4 PLACES</td> <td>± .15</td> <td>± .005</td> </tr> <tr> <td>3 PLACES</td> <td>± .10</td> <td>± .004</td> </tr> <tr> <td>2 PLACES</td> <td>± 0.25</td> <td>± .010</td> </tr> <tr> <td>1 PLACE</td> <td>± 0.36</td> <td>± .014</td> </tr> <tr> <td>ANGULAR</td> <td>± .005</td> <td>°</td> </tr> </table> | | mm | INCH | 4 PLACES | ± .15 | ± .005 | 3 PLACES | ± .10 | ± .004 | 2 PLACES | ± 0.25 | ± .010 | 1 PLACE | ± 0.36 | ± .014 | ANGULAR | ± .005 | ° | DIMENSION STYLE MM ONLY | SCALE DESIGN UNITS METRIC | <input checked="" type="checkbox"/> THIRD ANGLE <input type="checkbox"/> PROJECTION |
|---|------------------------------------|--|--------|--|------|----------|-------|--------|----------|-------|--------|----------|--------|--------|---------|--------|--------|---------|--------|---|--|---|--|
| | | mm | INCH | | | | | | | | | | | | | | | | | | | | |
| | 4 PLACES | ± .15 | ± .005 | | | | | | | | | | | | | | | | | | | | |
| | 3 PLACES | ± .10 | ± .004 | | | | | | | | | | | | | | | | | | | | |
| 2 PLACES | ± 0.25 | ± .010 | | | | | | | | | | | | | | | | | | | | | |
| 1 PLACE | ± 0.36 | ± .014 | | | | | | | | | | | | | | | | | | | | | |
| ANGULAR | ± .005 | ° | | | | | | | | | | | | | | | | | | | | | |
| DRAWN BY DATE RK 87/11/15 | | CHECKED BY DATE GWF 87/11/15 | | TITLE HOUSING CAP .084/(2.13) DIA. SERIES | | | | | | | | | | | | | | | | | | | |
| APPROVED BY DATE GWF 87/11/15 | | MATERIAL NO. SEE CHART | | DOCUMENT NO. SD-42022-*** | | | | | | | | | | | | | | | | | | | |
| DRAFT WHERE APPLICABLE MUST REMAIN WITHIN DIMENSIONS | | SIZE A0 | | SHEET NO. 2 OF 2 | | | | | | | | | | | | | | | | | | | |