

*New Jersey Semi-Conductor Products, Inc.*

20 STERN AVE.  
 SPRINGFIELD, NEW JERSEY 07081  
 U.S.A.

TELEPHONE: (201) 376-2922  
 (212) 227-6005  
 FAX: (201) 376-8960

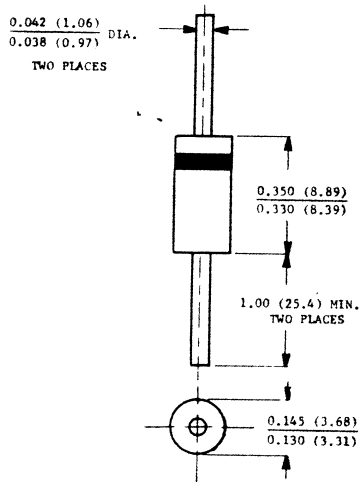
PARAMETERS

SI RECTIFIER, 2A < I(O)/I(F) s 5A 30S8

Description: Si Rectifier, 2A < I(O)/I(F) s 5A

Manufacturer.....	many
Mil/High-Rel? (Y/N).....	
I(out) (If AVG) Max.....	3.0
@Temp. (test) (xC).....	125T
VRRM.....	800
1-Cycle Surge Current (A).....	150
Vf Max.....	1.0
@If (test).....	3.0
@Temp. (test) for Vf).....	25u
Ir @25xC.....	5.0u
@Volts (test) (V).....	800
Ir @ Diff. Temp (A).....	300u
@Temp (test) (xC).....	100T
Oper. Temp (xC) Max.....	175u
Pkg Style.....	Axial-9
Surface Mounted (Y/N).....	N

u Junction Temperature    2 It(rms)    T Lead Temperature



Cathode Indicated by Color Band

All Dimensions in Inches (Millimeters).