

PLEASE CHECK WWW.MOLEX.COM FOR LATEST PART INFORMATION

Part Number: [0900750141](#)
Status: **Active**
Overview: [modular_plugs_jacks](#)
Description: Modular Plug, Short Body, 8/8

Documents:

[3D Model](#) [Product Specification PS-90075 \(PDF\)](#)
[Drawing \(PDF\)](#) [RoHS Certificate of Compliance \(PDF\)](#)

Agency Certification

UL E107635

General

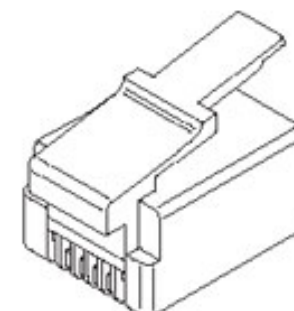
Product Family Modular Jacks/Plugs
 Series [90075](#)
 Component Type Wire Plug
 Magnetic No
 Overview [modular_plugs_jacks](#)
 Performance Category 3
 Power over Ethernet (PoE) N/A
 Product Name RJ45

Physical

Boot Color N/A
 Color - Resin Clear
 Durability (mating cycles max) 500
 Flammability 94V-0
 Inverted / Top Latch N/A
 Lightpipes/LEDs None
 Material - Metal Phosphor Bronze
 Material - Plating Mating Gold
 Material - Plating Termination Tin
 Material - Resin Polycarbonate
 Orientation N/A
 PCB Retention None
 Packaging Type Bag
 Pitch - Mating Interface (in) 0.040 In
 Pitch - Mating Interface (mm) 1.02 mm
 Pitch - Term. Interface (in) 0.040 In
 Pitch - Term. Interface (mm) 1.02 mm
 Plating min: Mating (µin) 50.8
 Plating min: Mating (µm) 1.27
 Plating min: Termination (µin) 50
 Plating min: Termination (µm) 1.27
 Ports 1
 Positions / Loaded Contacts 8/8
 Surface Mount Compatible (SMC) No
 Temperature Range - Operating -40°C to +60°C
 Termination Interface: Style N/A
 Waterproof / Dustproof No
 Wire/Cable Type Flat Oval

Electrical

Current - Maximum per Contact 1.5A
 Grounding to Panel N/A
 Shielded No



Series

image - Reference only

EU RoHS

**ELV and RoHS
Compliant**
REACH SVHC
 Not Reviewed
**Halogen-Free
Status**

China RoHS



**Need more information on product
environmental compliance?**

Email productcompliance@molex.com
 For a multiple part number RoHS Certificate of
 Compliance, [click here](#)

Please visit the [Contact Us](#) section for any
 non-product compliance questions.

Search Parts in this Series

[90075Series](#)

Mates With

FCC 68 Jacks...

Application Tooling | FAQ

*Tooling specifications and manuals are
found by selecting the products below.
Crimp Height Specifications are then
contained in the Application Tooling
Specification document.*

Global

Description	Product #
Arbor Press Fixture for 90075, Modular Plug, FCC 68, Short Body, 8/8 Circuit	0690200140
IDT - Manual Press Parallel Action Handtool for 90075 Modular Plug, FCC 68, 8/8 Circuit, Short Body	0011201274 0690081124

Voltage - Maximum

125V DC

Material Info

Reference - Drawing Numbers

Application Specification

AS-90075

Packaging Specification

PK-90075-003

Product Specification

PS-90075

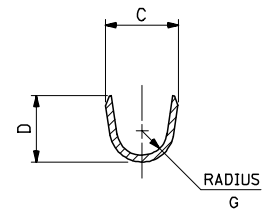
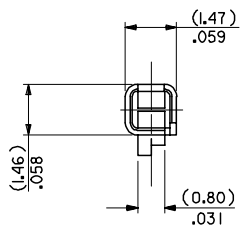
Sales Drawing

SDA-90075

This document was generated on 06/08/2010

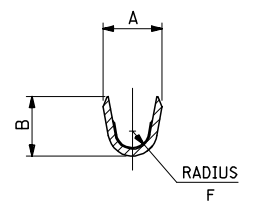
PLEASE CHECK WWW.MOLEX.COM FOR LATEST PART INFORMATION

SECTION X-X



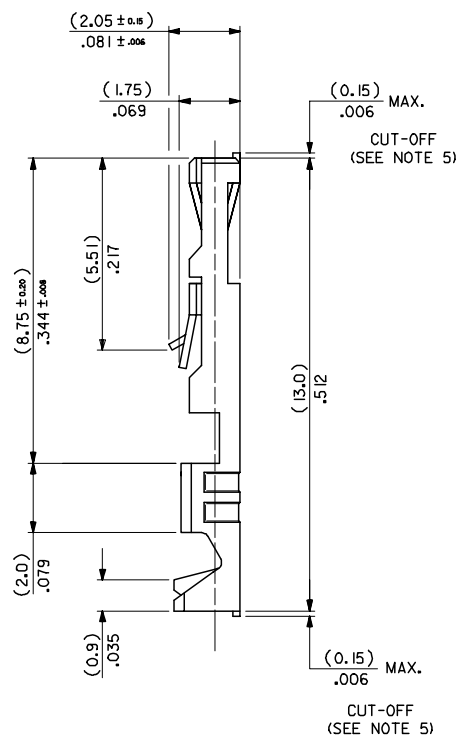
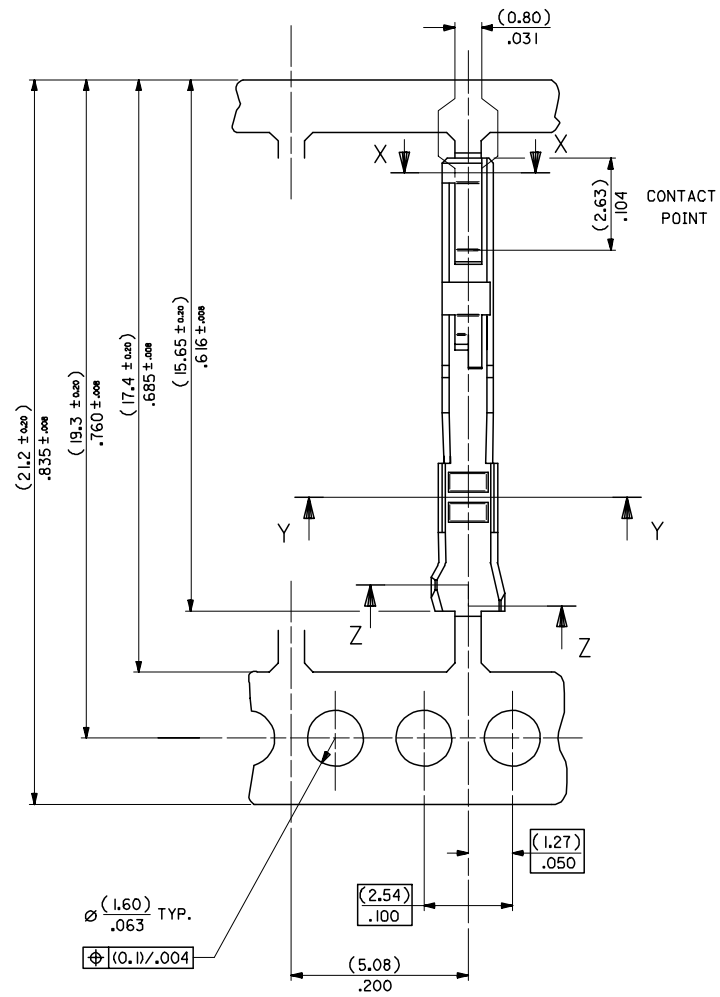
SECTION Z-Z

INSULATION BARREL



SECTION Y-Y

WIRE BARREL



NOTES:

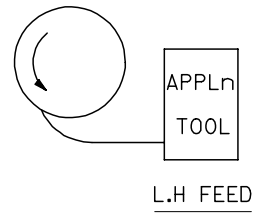
1. MATERIAL -
PHOSPHOR BRONZE CDA 521
THICKNESS: (0.200) ± .008
TENSILE STRENGTH: 655-760 N/mm²
PLATING - SEE SHEET 2
2. FOR DIMENSIONS A, B, C, D, F & G
SEE SHEET 2
3. FOR WIRE SIZE & INSULATION DIA
SEE SHEET 2
4. THIS TERMINAL TO MATE WITH
(0.635) ± .025 SQUARE PIN
5. MAX BURR AFTER CUT-OFF
(0.025) ± .001

REMOVED LEAD REF. EC NO. E2006-0155 DRAWN: JDENNEHY 2005/08/29 CHKD: DMOR IARTY 2005/08/29 APPR: JDENNEHY 2005/09/05	QUALITY SYMBOLS ▽=0 ▽=0	GENERAL TOLERANCES (UNLESS SPECIFIED)	DIMENSION STYLE MM ONLY	SCALE 10:1	DESIGN UNITS METRIC	THIRD ANGLE PROJECTION
		mm INCH	DRAWN BY DATE NPC 1987/08/27	TITLE C-GRID III FEMALE CRIMP TERMINAL		
		4 PLACES ± --- ± --- 3 PLACES ± --- ± .004 2 PLACES ± 0.1 ± .008 1 PLACE ± 0.2 ± --- ANGULAR ± 5 °	CHECKED BY DATE D.MOR IARTY 2005/08/26	MATERIAL NO. DOCUMENT NO. SD-90119		
		DRAFT WHERE APPLICABLE MUST REMAIN WITHIN DIMENSIONS	APPROVED BY DATE JDENNEHY 2005/08/26	SHEET NO. 1 OF 2		
		SEE CHART	THIS DRAWING CONTAINS INFORMATION THAT IS PROPRIETARY TO MOLEX INCORPORATED AND SHOULD NOT BE USED WITHOUT WRITTEN PERMISSION			

10 9 8 7 6 5 4 3 2 1

PART No	PLATING	REELING	WIRE SIZE (AWG)	INSULATION RANGE	CRIMP DIMENSIONS					
					WIRE BARREL			INSULATION BARREL		
					A $\pm \frac{(0.15)}{.006}$	B $\pm \frac{(0.15)}{.006}$	F $\pm \frac{(0.15)}{.006}$	C $\pm \frac{(0.15)}{.006}$	D $\pm \frac{(0.15)}{.006}$	G $\pm \frac{(0.15)}{.006}$
90119-0109	A	L.H FEED	22,24	(1.02-1.47) .040-.058	(1.70)	(1.70)	(0.51)	(2.10)	(1.90)	(0.70)
-0110	E				.067	.067	0.20	.083	.075	0.27
-0111	F									
-0120	A									
-0121	E	LOOSE PIECE PARTS	26,28	(0.76-1.22) .030-.048	(1.37)	(1.37)	(0.28)	(2.00)	(1.70)	(0.60)
-0122	F				.054	.054	0.11	.079	.067	0.24
-2109	A									
-2110	E									
-2111	F									
-2120	A									
-2121	E									
90119-2122	F									

TYPE	PLATING
A	PRE-PLATED HOT DIP TIN (1.0 to 2.5 um)/.00004 TO .0001
E	(1.27 TO 1.78um)/.00005 TO .00007 NICKEL OVERALL. (0.38 TO 0.64um)/.000015 TO .000025 GOLD ON CONTACT AREA. (3.0 TO 5.0 um)/.00012 TO .0002 TIN ON TERMINATION AREA.
F	(1.27 TO 1.78um)/.00005 TO .00007 NICKEL OVERALL. (0.76 TO 01.0 um)/.00003 TO .00004 GOLD ON CONTACT AREA. (3.0 TO 5.0 um)/.00012 TO .0002 TIN ON TERMINATION AREA.



REMOVED LEAD REF. EC NO: E2006-0155 DRWN: DENNEHY 2005/08/29 CHKD:DMORIARTY 2005/08/29 APPR: DENNEHY 2005/09/05	QUALITY SYMBOLS	GENERAL TOLERANCES (UNLESS SPECIFIED)	DIMENSION STYLE MM ONLY	SCALE ---	DESIGN UNITS METRIC	THIRD ANGLE PROJECTION																		
	$\nabla = 0$ $\triangle = 0$	<table border="1"> <tr> <th></th> <th>mm</th> <th>INCH</th> </tr> <tr> <td>4 PLACES</td> <td>\pm---</td> <td>\pm---</td> </tr> <tr> <td>3 PLACES</td> <td>\pm---</td> <td>\pm---</td> </tr> <tr> <td>2 PLACES</td> <td>\pm---</td> <td>\pm---</td> </tr> <tr> <td>1 PLACE</td> <td>\pm---</td> <td>\pm---</td> </tr> <tr> <td>ANGULAR</td> <td colspan="2">\pm---°</td> </tr> </table>		mm	INCH	4 PLACES	\pm ---	\pm ---	3 PLACES	\pm ---	\pm ---	2 PLACES	\pm ---	\pm ---	1 PLACE	\pm ---	\pm ---	ANGULAR	\pm ---°		DRAWN BY: KS DATE: 1987/09/01 CHECKED BY: DMORIARTY DATE: 2005/08/26 APPROVED BY: JDENNEHY DATE: 2005/08/26	TITLE	C-GRID III FEMALE CRIMP TERMINAL	
		mm	INCH																					
	4 PLACES	\pm ---	\pm ---																					
3 PLACES	\pm ---	\pm ---																						
2 PLACES	\pm ---	\pm ---																						
1 PLACE	\pm ---	\pm ---																						
ANGULAR	\pm ---°																							
	DRAFT WHERE APPLICABLE MUST REMAIN WITHIN DIMENSIONS	SEE CHART	MATERIAL NO. DOCUMENT NO. SD-90119		SHEET NO. 2 OF 2																			
			THIS DRAWING CONTAINS INFORMATION THAT IS PROPRIETARY TO MOLEX INCORPORATED AND SHOULD NOT BE USED WITHOUT WRITTEN PERMISSION																					

9 8 7 6 5 4 3 2 1