

PLEASE CHECK WWW.MOLEX.COM FOR LATEST PART INFORMATION

Part Number: [0395232002](#)
Status: **Active**
Description: 5.00mm (.197") Pitch Eurostyle™ Vertical Plug, Rear Wire Entry, 2 Circuits

Documents:

[Drawing \(PDF\)](#) [RoHS Certificate of Compliance \(PDF\)](#)
[Product Specification PS-39500-001 \(PDF\)](#)

General

Product Family	Terminal Blocks
Series	39523
Application	Wire-to-Board
Comments	Rear Wire Entry
Component Type	Plug
Product Literature Order No	USA-355
Product Name	ESE, Eurostyle™ Pluggable
Type	Euro Block

Physical

Circuits (Loaded)	2
Entry Angle	Horizontal
Lock to Mating Part	Yes
Number of Rows	1
Orientation	Vertical
Panel Mount	No
Pitch - Mating Interface (in)	0.197 In
Pitch - Mating Interface (mm)	5.00 mm
Polarized to Mating Part	Yes
Stackable	No
Temperature Range - Operating	-40°C to +105°C
Wire Size AWG	12, 14, 16, 18, 20, 22, 24, 26
Wire Size mm²	0.13 - 3.31

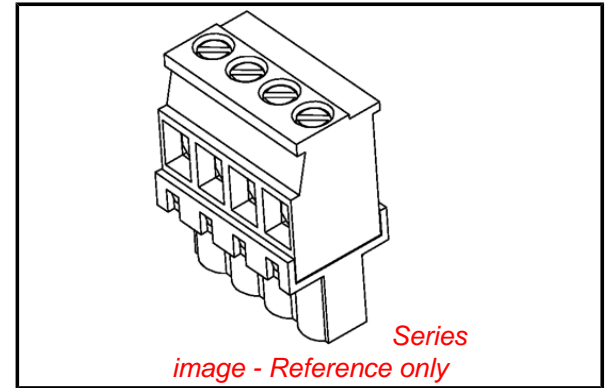
Electrical

Current - Maximum per Contact	15A
Voltage - Maximum	300V

Material Info

Reference - Drawing Numbers

Product Specification	PS-39500-001
Sales Drawing	SD-39523-002



EU RoHS

RoHS Compliant by Exemption

REACH SVHC

Not Reviewed

Halogen-Free

Status

Not Reviewed

China RoHS



Need more information on product environmental compliance?

Email productcompliance@molex.com
 For a multiple part number RoHS Certificate of Compliance, [click here](#)

Please visit the [Contact Us](#) section for any non-product compliance questions.

Search Parts in this Series

[39523Series](#)

Mates With

[39521](#) Vertical PCB Header, [39522](#) Horizontal PCB Header, Most 5.00mm (.197") Pitch Industry Standard PCB Headers, [39528](#) Dual Level PCB Header, Open Ends

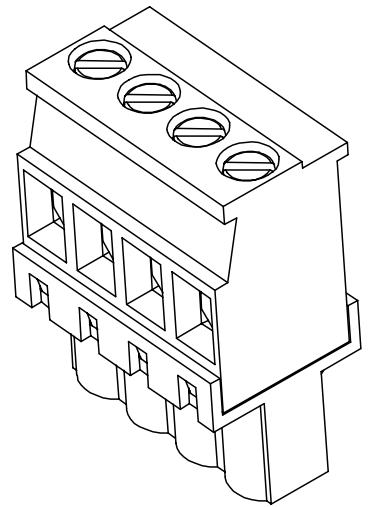
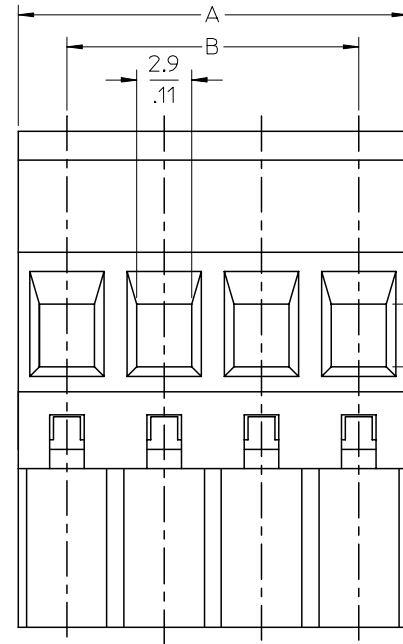
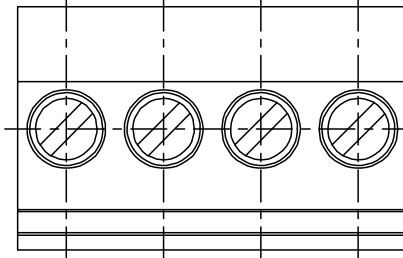
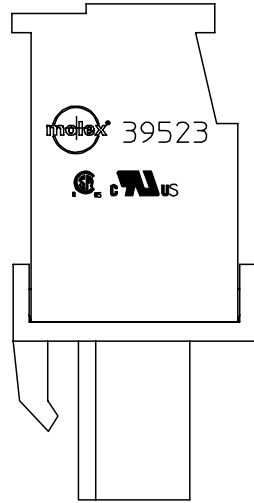
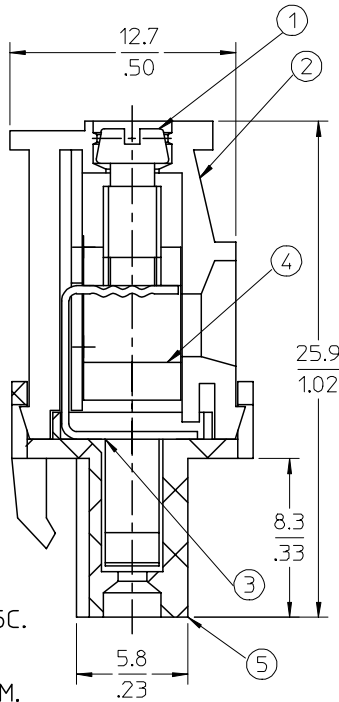
10 9 8 7 6 5 4 3 2 1

F
E
D
C
B
A

F
E
D
C
B
A

SPECIFICATIONS:

1. Material:
 - (1). Screw: Steel
 - (2). Cover: PA66
 - (3). Terminal: Phosphor Bronze
 - (4). Cage: Brass
 - (5). Body: PA66
2. Wire range: 12 - 26 AWG
3. Electrical rating: 300V, 15A.
4. Wire strip length: 5.0mm.
5. Operating temperature: -40C to +105C.
6. Max torque: 5 In Lbs.
7. Insulation resistance: DC 500V, 500M.
8. Dielectric withstand: AC 2500V for 1 minute.
9. Breakdown voltage: 4000V.
10. Contact resistance: <10 mW.
11. A = (N x P)
12. B = (N - 1) x P
13. P (PITCH) = 5.0mm (.197").
14. N = Number of positions available 2 through 24.



ENTER DESCRIPTION EC NO: NEC2006-0310 DRWN: LROTHAUS 2006/01/09 CHKD: CYORK 2006/01/09 APPR: JPAMLIK 2006/01/10	QUALITY SYMBOLS ▽=0 ▽=0	GENERAL TOLERANCES (UNLESS SPECIFIED)		DIMENSION STYLE MM/IN		SCALE 4:1	DESIGN UNITS INCH	THIRD ANGLE PROJECTION
		4 PLACES ± --- ±.0015	DRAWN BY LROTHAUS	DATE 12/6/05	TITLE 5.0MM, EURO PLUG, VERTICAL, FRONT WIRE ENTRY			
		3 PLACES ±0.038 ±.005	CHECKED BY C. YORK	DATE 01/06/06				
		2 PLACES ±0.13 ±.01	APPROVED BY	DATE	MOLEX INCORPORATED			
1 PLACE ±0.3 ± ---	ANGULAR ± 2 °							
DRAFT WHERE APPLICABLE MUST REMAIN WITHIN DIMENSIONS		MATERIAL NO. SEE CHART	DOCUMENT NO. SD-39523-002	SHEET NO. 1 OF 1				
		SIZE B	THIS DRAWING CONTAINS INFORMATION THAT IS PROPRIETARY TO MOLEX INCORPORATED AND SHOULD NOT BE USED WITHOUT WRITTEN PERMISSION					

9 8 7 6 5 4 3 2 1

10 9 8 7 6 5 4 3 2 1

Description	Circuit size	Material Numbers												Dimensional Information			
		Black						Green						Dim. A		Dim B	
		100% Tin			30 u" Gold			100% Tin			30 u" Gold			mm	inch	mm	inch
		Printing Options			Printing Options			Printing Options			Printing Options						
None	10AV	11AV	None	10AV	11AV	None	10AV	11AV	None	10AV	11AV	mm	inch	mm	inch		
5.0mm, Euro Plug, Vertical, Front Wire Entry	2	395232002	395232302	395232402	395232502	395232802	395232902	395237002	395237302	395237402	395237502	395237802	395237902	10.00	0.394	5.00	0.197
5.0mm, Euro Plug, Vertical, Front Wire Entry	3	395232003	395232303	395232403	395232503	395232803	395232903	395237003	395237303	395237403	395237503	395237803	395237903	15.00	0.591	10.00	0.394
5.0mm, Euro Plug, Vertical, Front Wire Entry	4	395232004	395232304	395232404	395232504	395232804	395232904	395237004	395237304	395237404	395237504	395237804	395237904	20.00	0.787	15.00	0.591
5.0mm, Euro Plug, Vertical, Front Wire Entry	5	395232005	395232305	395232405	395232505	395232805	395232905	395237005	395237305	395237405	395237505	395237805	395237905	25.00	0.984	20.00	0.787
5.0mm, Euro Plug, Vertical, Front Wire Entry	6	395232006	395232306	395232406	395232506	395232806	395232906	395237006	395237306	395237406	395237506	395237806	395237906	30.00	1.181	25.00	0.984
5.0mm, Euro Plug, Vertical, Front Wire Entry	7	395232007	395232307	395232407	395232507	395232807	395232907	395237007	395237307	395237407	395237507	395237807	395237907	35.00	1.378	30.00	1.181
5.0mm, Euro Plug, Vertical, Front Wire Entry	8	395232008	395232308	395232408	395232508	395232808	395232908	395237008	395237308	395237408	395237508	395237808	395237908	40.00	1.575	35.00	1.378
5.0mm, Euro Plug, Vertical, Front Wire Entry	9	395232009	395232309	395232409	395232509	395232809	395232909	395237009	395237309	395237409	395237509	395237809	395237909	45.00	1.772	40.00	1.575
5.0mm, Euro Plug, Vertical, Front Wire Entry	10	395232010	395232310	395232410	395232510	395232810	395232910	395237010	395237310	395237410	395237510	395237810	395237910	50.00	1.969	45.00	1.772
5.0mm, Euro Plug, Vertical, Front Wire Entry	11	395232011	395232311	395232411	395232511	395232811	395232911	395237011	395237311	395237411	395237511	395237811	395237911	55.00	2.165	50.00	1.969
5.0mm, Euro Plug, Vertical, Front Wire Entry	12	395232012	395232312	395232412	395232512	395232812	395232912	395237012	395237312	395237412	395237512	395237812	395237912	60.00	2.362	55.00	2.165
5.0mm, Euro Plug, Vertical, Front Wire Entry	13	395232013	395232313	395232413	395232513	395232813	395232913	395237013	395237313	395237413	395237513	395237813	395237913	65.00	2.559	60.00	2.362
5.0mm, Euro Plug, Vertical, Front Wire Entry	14	395232014	395232314	395232414	395232514	395232814	395232914	395237014	395237314	395237414	395237514	395237814	395237914	70.00	2.756	65.00	2.559
5.0mm, Euro Plug, Vertical, Front Wire Entry	15	395232015	395232315	395232415	395232515	395232815	395232915	395237015	395237315	395237415	395237515	395237815	395237915	75.00	2.953	70.00	2.756
5.0mm, Euro Plug, Vertical, Front Wire Entry	16	395232016	395232316	395232416	395232516	395232816	395232916	395237016	395237316	395237416	395237516	395237816	395237916	80.00	3.150	75.00	2.953
5.0mm, Euro Plug, Vertical, Front Wire Entry	17	395232017	395232317	395232417	395232517	395232817	395232917	395237017	395237317	395237417	395237517	395237817	395237917	85.00	3.346	80.00	3.150
5.0mm, Euro Plug, Vertical, Front Wire Entry	18	395232018	395232318	395232418	395232518	395232818	395232918	395237018	395237318	395237418	395237518	395237818	395237918	90.00	3.543	85.00	3.346
5.0mm, Euro Plug, Vertical, Front Wire Entry	19	395232019	395232319	395232419	395232519	395232819	395232919	395237019	395237319	395237419	395237519	395237819	395237919	95.00	3.740	90.00	3.543
5.0mm, Euro Plug, Vertical, Front Wire Entry	20	395232020	395232320	395232420	395232520	395232820	395232920	395237020	395237320	395237420	395237520	395237820	395237920	100.00	3.937	95.00	3.740
5.0mm, Euro Plug, Vertical, Front Wire Entry	21	395232021	395232321	395232421	395232521	395232821	395232921	395237021	395237321	395237421	395237521	395237821	395237921	105.00	4.134	100.00	3.937
5.0mm, Euro Plug, Vertical, Front Wire Entry	22	395232022	395232322	395232422	395232522	395232822	395232922	395237022	395237322	395237422	395237522	395237822	395237922	110.00	4.331	105.00	4.134
5.0mm, Euro Plug, Vertical, Front Wire Entry	23	395232023	395232323	395232423	395232523	395232823	395232923	395237023	395237323	395237423	395237523	395237823	395237923	115.00	4.528	110.00	4.331
5.0mm, Euro Plug, Vertical, Front Wire Entry	24	395232024	395232324	395232424	395232524	395232824	395232924	395237024	395237324	395237424	395237524	395237824	395237924	120.00	4.724	115.00	4.528

SEE SHEET 1 EC NO: NEC2006-0310 DRWNL:ROTHAUS 2006/01/09 CHKD:C:YORK 2006/01/09 APPR:J:PALI LK 2006/01/10	QUALITY SYMBOLS ▽=0 ▽=0	GENERAL TOLERANCES (UNLESS SPECIFIED)		DIMENSION STYLE MM/IN		SCALE 4:1	DESIGN UNITS INCH	THIRD ANGLE PROJECTION
		4 PLACES ± --- ±.0015 3 PLACES ±0.038 ±.005 2 PLACES ±0.13 ±.01 1 PLACE ±0.3 ± ---	mm INCH DATE 12/6/05 DATE 01/06/06	DRAWN BY LROTHAUS CHECKED BY C. YORK APPROVED BY		TITLE 5.0MM, EURO PLUG, VERTICAL, FRONT WIRE ENTRY		
		ANGULAR ± 2 °		MATERIAL NO. SEE CHART DOCUMENT NO. SD-39523-002		MOLEX INCORPORATED		
		DRAFT WHERE APPLICABLE MUST REMAIN WITHIN DIMENSIONS		SIZE B THIS DRAWING CONTAINS INFORMATION THAT IS PROPRIETARY TO MOLEX INCORPORATED AND SHOULD NOT BE USED WITHOUT WRITTEN PERMISSION		SHEET NO. 2 OF 2		

9 8 7 6 5 4 3 2 1