

Customer Information Sheet

DRAWING No.: S1711-XX

SHEET 2 OF 2

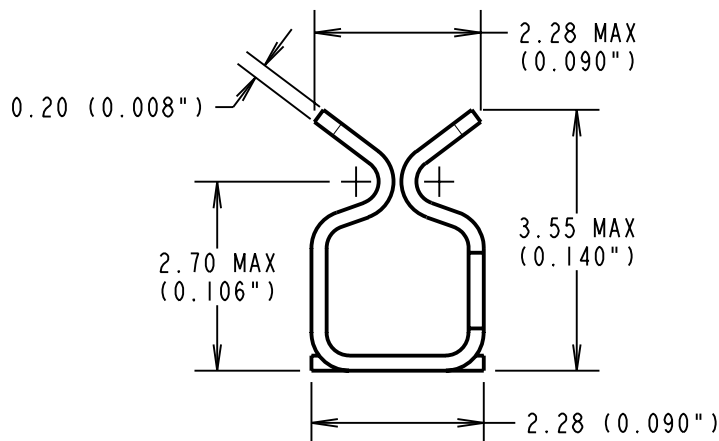
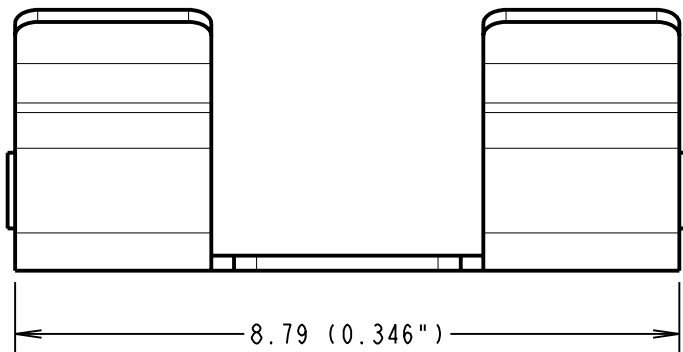
IF IN DOUBT - ASK

©

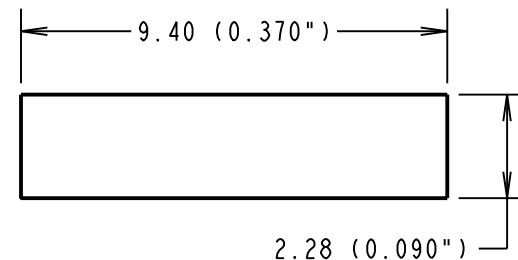
NOT TO SCALE

THIRD ANGLE PROJECTION

ALL DIMENSIONS IN mm



RECOMMENDED PAD LAYOUT



ORDER CODE:

S1711-XX

FINISH:

06 = TIN/LEAD

46 = 100% TIN OVER NICKEL



SPECIFICATION:

MATERIAL = BERYLLIUM COPPER

FINISH:

06 = 3 μ 90/10 TIN/LEAD

46 = 3 μ 100% TIN

ELECTRICAL:

CONTACT RESISTANCE = 20m Ω MAX

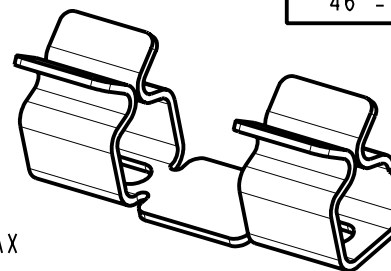
MECHANICAL:

INSERTION FORCE (AFTER CONDITIONING) = 4N MAX

WITHDRAWAL FORCE = 0.5N MIN

DURABILITY = 20 INSERTIONS MINIMUM

SHIELD THICKNESS = 0.3 \pm 0.02



NOTES:

- FOR TAPE AND REELED VERSION, SEE DRAWING S1711-XXR.
- SUPPLIED IN BAGS OF 100.

CP	4	25.06.10	10850
NAME	ISS.	DATE	C/NOTE
APPROVED: C.PENROSE			
CHECKED: R.ADDE			
DRAWN: J.ENRIGHT			
CUSTOMER REF.:			
ASSEMBLY DRG:			

HARWIN

HARWIN USA
TEL: 603 893 5376
FAX: 603 893 5396
mis@harwin.com

HARWIN Europe (UK)
TEL: 023 9231 4545
FAX: 023 9231 4590
mis@harwin.co.uk

HARWIN Asia
TEL: +65 6 779 4909
FAX: +65 6 779 3868
mis@harwin.com.sg

THIS DRAWING AND ANY INFORMATION OR DESCRIPTIVE MATTER SET OUT HEREON ARE CONFIDENTIAL AND COPYRIGHT PROPERTY OF THE HARWIN GROUP AND MUST NOT BE DISCLOSED, LOANED, COPIED OR USED FOR MANUFACTURING, TENDERING OR FOR ANY OTHER PURPOSE WITHOUT THEIR WRITTEN PERMISSION.

TOLERANCES

X. = \pm 1mm
X.X = \pm 0.25mm
X.XX = \pm 0.10mm
X.XXX = \pm 0.01mm

ANGLES = \pm 5°
UNLESS STATED

MATERIAL:

SEE ABOVE

FINISH: SEE ABOVE

S/AREA: mm²

TITLE:

SMT RFI SHIELD CLIP
(LOOSE)

DRAWING NUMBER:

S1711-XX

SHT
2 OF 2