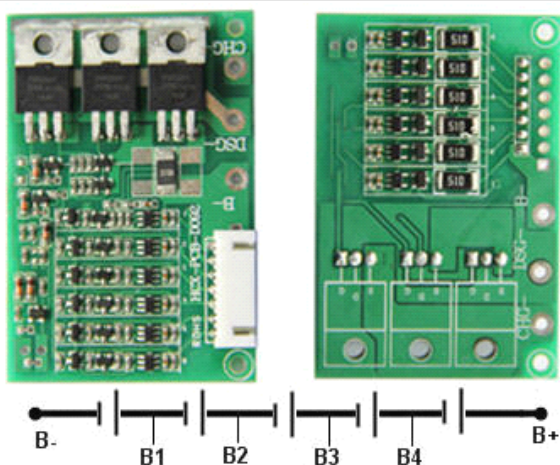


Data Sheet

Item	Contents		Criteria
1	Model	HCX-D092	5S- 10A working current-- 10A cutoff
2	Voltage	Charging voltage	21V
3	Current	Maximal continuous charging current	5A
		Maximal continuous discharging current	10A
		Current consumption	≤100 μ A
4	Overcharge Protection	Over charge detection voltage	4.28V±25mV
		Over charge detection delay time	1.2S
		Over charge release voltage	4.08V±25mV
5	Over Discharge Protection	Over discharge detection voltage	2.80V±50mV
		Over discharge detection delay time	144mS
		Over discharge release voltage	2.8V±50mV
6	Over Current Protection	Over current detection voltage	0.1V±0.015V
		Over current detection current	10A
		Detection delay time	9mS
		Release condition	Cut load,automatically recover
7	Short Circuit Protection	Detection condition	Exterior shot circuit
		Detection delay time	320 μ S
		Release condition	Cut load,automatically recover
8	Balance	Balance voltage for single cell	4,.20V±25mV
		Balance current for single cell	82mA±10mA
9	Resistance	Inner resistance	≤50m Ω
10	Temperature	Operating temperature range	-40~+85℃
		Storage temperature range	-40~+125℃
11	Size (L*W*H)	65.1mm*43.6mm*5.6mm	



Remarks:

Charge, Discharge from Different Port  
 P+ = Charge+ / Discharge+  
 P- = Discharge-  
 CH- = Charger-

\*Note: Characteristics subject to change without notice.

Bestech Power Co., Ltd

3F, Bldg3, Fulian Industrial Park, Heping Industrial area, Jianhui Rd, Longhua, ShenZhen, China.

中国广东省深圳市龙华和平路和平工业区建辉路 82 号旭焕辉富联工业园 2 期 3 栋 3 楼。

Website: <http://www.bestechpower.com>

E-mail: [sales@bestechpower.com](mailto:sales@bestechpower.com)