

# 1000BASE-T SINGLE PORT RJ-45 JACK WITH MAGNETIC MODULE



## N5607



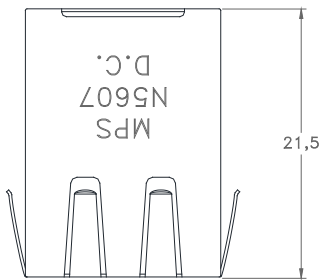
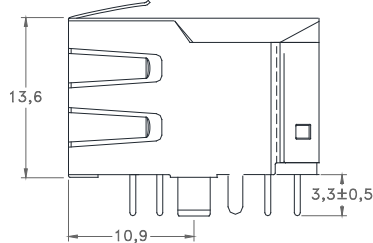
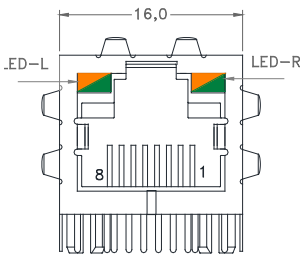
- Designed for network interface card application
- For Gigabit Transmission over CAT 5 & 6 UTP cable
- Designed to meet IEEE802.3 requirement
- Operating temperature: 0°C to +70°C
- RoHS compliant product
- Custom design available

## ELECTRICAL PARAMETERS @25°C

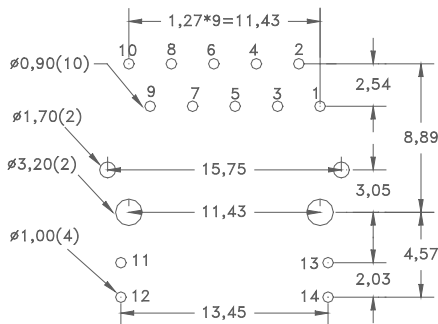
Part Number	Turns Ratio ±2%	Insertion Loss (dB Max)	Return Loss (dB) Min MHz				Cross Talk (dB) Typ MHz	CMR (dB) Typ MHz		
			1-100MHz	1-40	60	80		100	0.1-30	30-60
N5607	1CT:1CT	-1.1	-18	-14	-12	-10	-35	-38	-35	-30

- Inductance: 350µH Min @ 100KHz, 0.1VRMS with 8mA DC
- Hipot: 1500VRMS

## DIMENSIONS

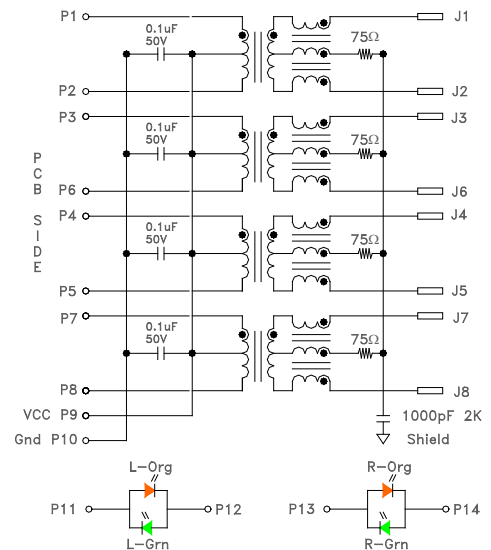


## RECOMMENDED PCB LAND PATTERN



COMPONENT SIDE VIEW

## SCHEMATIC



## Dimensions

Unless otherwise specified, all tolerances are:  
 inch: .XX : ±0.015 .XXX : ±0.004  
 mm: X,X : ±0,38 X,XX : ±0,10

Product performance is limited to specified parameters. Data is subject to change without prior notice.

13200 Estrella Ave., Bldg. B  
 Gardena, CA 90248

Tel: 310-325-1043  
 Fax: 310-325-1044

www.mpsind.com  
 sales@mpsind.com