

GIGABIT RJ-45 JACK WITH MAGNETIC MODULE



N5601

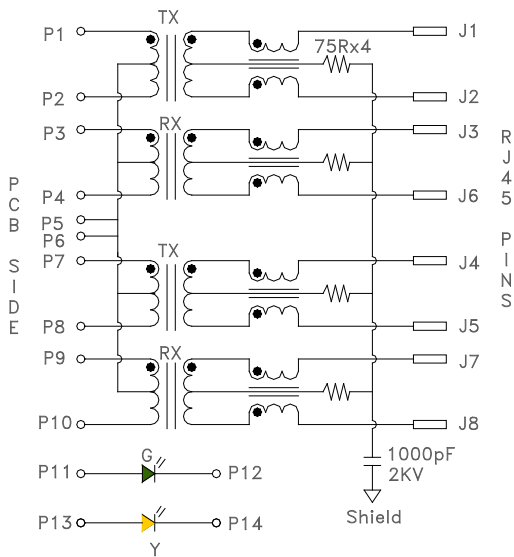


- 1000 Base-T Single Port RJ-45 Jack with Magnetic Module
- Available with a variety of internal magnetic filter designs to support all PHYs
- Available with or without LEDs
- RoHS Compliant Product
- Operating Temp : 0°C to +70°C
- Hipot: 1500V_{RMS}
- Custom design and configuration available upon request

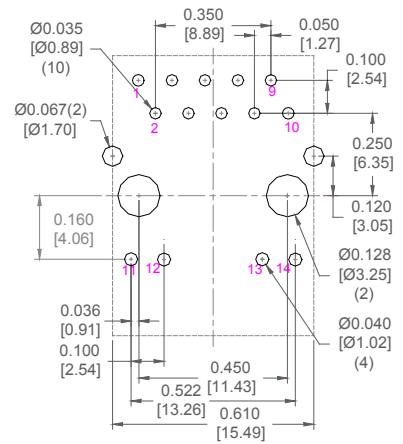
ELECTRICAL SPECIFICATION @ 25°C

PART NO	TURNS RATIO ±2%		INSERTION LOSS 0.3-100MHz (dB) Max	RETURN LOSS (dB) Min MHz				CROSS TALK (dB) min MHz			DCMR (dB) min MHz		
	TX	RX		1-30	40	50	60-80	30	60	100	30	60	100
N5601	1CT:1	1CT:1	-1.2	-16.0	-13.5	-11.5	-10.0	-40	-36	-30	-35	-32	-30

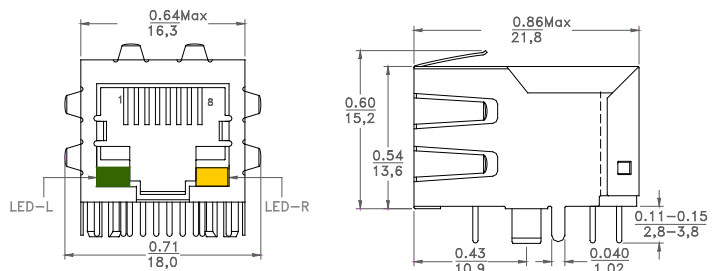
Schematic



Recommended PCB LAND PATTERN



Dimensions



Dimensions

Unless otherwise specified, all tolerances are:
 inch: .XX : ± 0.015 .XXX : ± 0.004
 mm: X,X : ± 0,38 X,XX : ± 0,10

Product performance is limited to specified parameter. Data is subject to change without prior notice.

N5601
0852AL