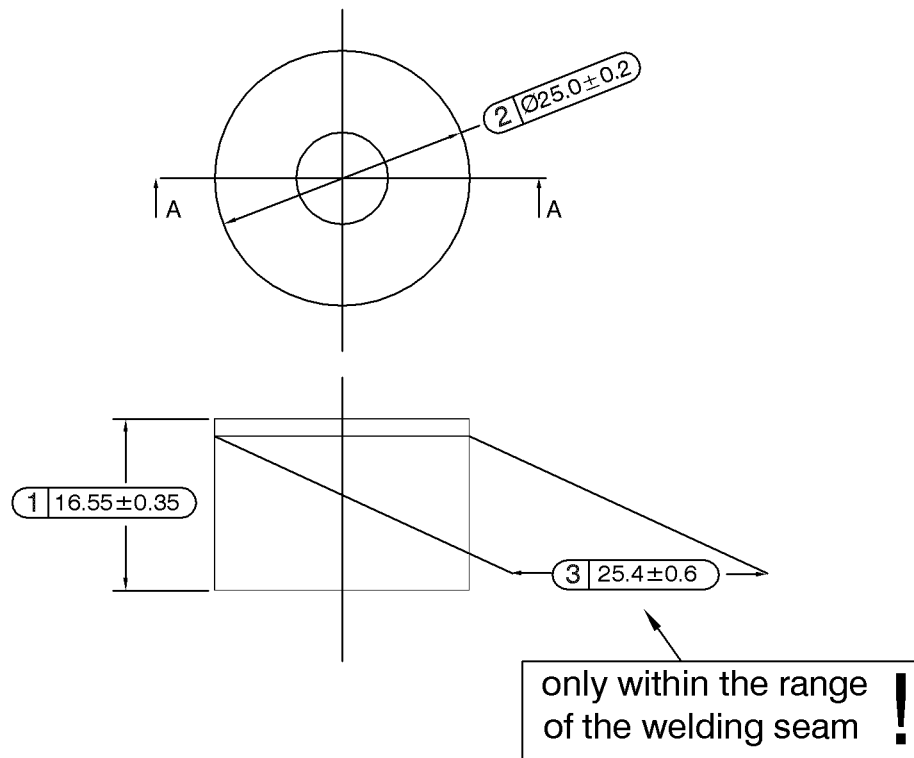
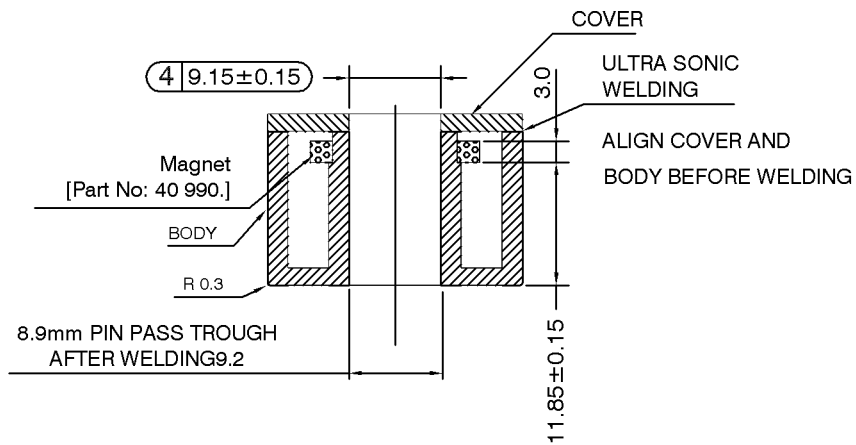


Preliminary Datasheet



SECTION A-A



unspecified tolerances acc. to DIN ISO 2768-m



Products for tomorrow...

Europe: +49 / 7731 8399 0 | Email: info@meder.com
USA: +1 / 508 295 0771 | Email: salesusa@meder.com
Asia: +852 / 2955 1682 | Email: salesasia@meder.com

Item No.:
2500000010
Item:
Floating magnet MS02-PP

Preliminary Datasheet

Special Product Data	Conditions	Min	Typ	Max	Unit
Material of float		PP opaque			
Float weight		4,15		4,36	g

Mag. values DIN IEC 60404-8-	Conditions	Min	Typ	Max	Unit
Magnetic moment	measured with MS150	4	4,95	5,9	E-6 Vs cm

Modifications in the sense of technical progress are reserved