

OPTICAL DISTRIBUTOR

This is a bidirectional signal converter which converts optical digital signals of the FFI system into electrical digital signals, and electrical digital signals into optical digital signals, via RS422 interface.

SPECIFICATIONS

Functional specifications

- No. of channels:** 1 or 2 channels
- Optical signals:** Single-wire type optical fiber half-duplex bidirectional communication
- Electrical signal:** Conforms to RS422 interface
- Transmission distance:**
 - Optical signal between field instrument and optical distributor; 1.2km max.
 - Electrical signal between optical distributor and receiving section; 50m max.
- Power supply:** 24V DC (20 to 30V DC) or 24V \pm 13%₋₁₀ %AC, 50/60Hz
- Power consumption:**
 - Approx. 6W (24V DC) or approx. 9VA (24V AC)
- Ambient temperature:** 0 to 45°C
- Ambient humidity:** 90% RH or less

Performance specifications

- Transmission speed:** Approx. 20kbit/sec
- Isolation:**
 - Between input and power supply and between input and output;
 - completed isolation via optical interface
 - Between output and power supply;
 - Dielectric strength; 1500V AC for 1 minute
 - Insulation resistance: 100 MΩ or more at 500V DC

Construction and material

- Enclosure:** Steel plate casing (indoor type)
- Finish color:** Silver (melamine baked finish)
Terminal cover; gray (molded synthetic resin)
- Outer dimensions (H x W x D):** 247 x 44 x 154mm
- Mass (weight):** Approx. 1.6kg
- Mounting method:** Surface mounting (using screws)
- Input connection:** Fuji-specified optical cable (to be prepared separately); connection is made using FC optical connector
- Connecting terminals:** M4 screw



CODE SYMBOLS

| 1 2 3 4 5 6 7 8 | | | | | | | | Description | |
|-----------------|---|---|---|---|-------|---|--|-----------------|-----------------------|
| P | S | K | 1 | R | 1 | 1 | | No. of channels | |
| | | | | 1 | ----- | | | 1 | |
| | | | | 2 | ----- | | | 2 | |
| | | | | R | ----- | | | Output signal | RS422 |
| | | | | 1 | ----- | | | Power supply | 24V DC/24V AC 50/60Hz |

SCOPE OF DELIVERY

Distributor (Excluding optical cable and optical connector)

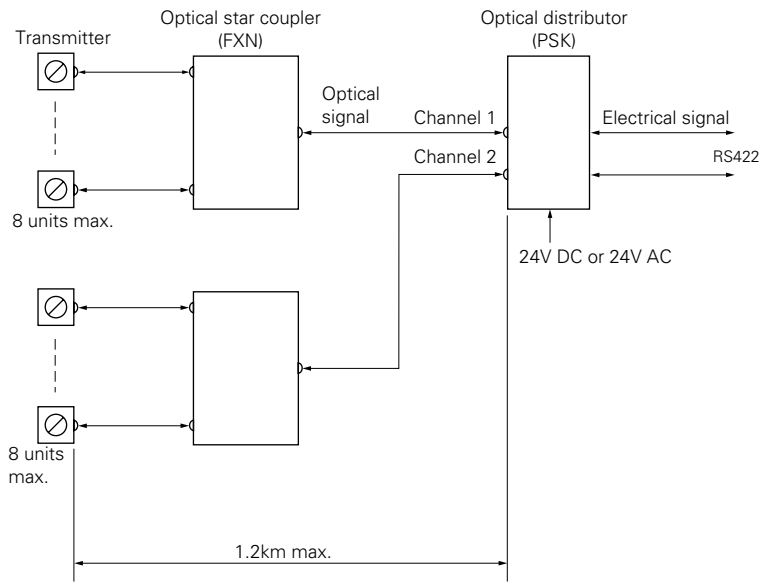
RELATED DEVICES

- Optical star coupler (Data sheet No. EDS8-43)

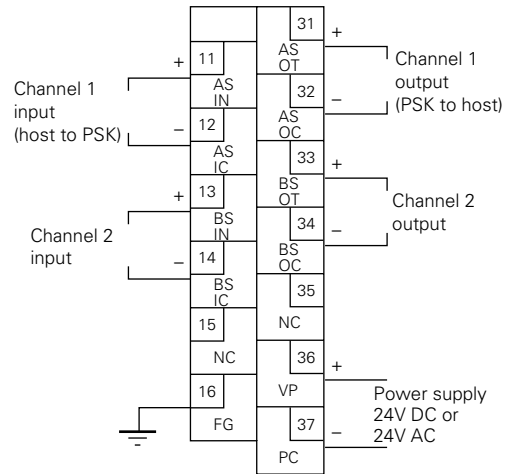
ORDERING INFORMATION

1. Production name
2. Type
3. No. of channels

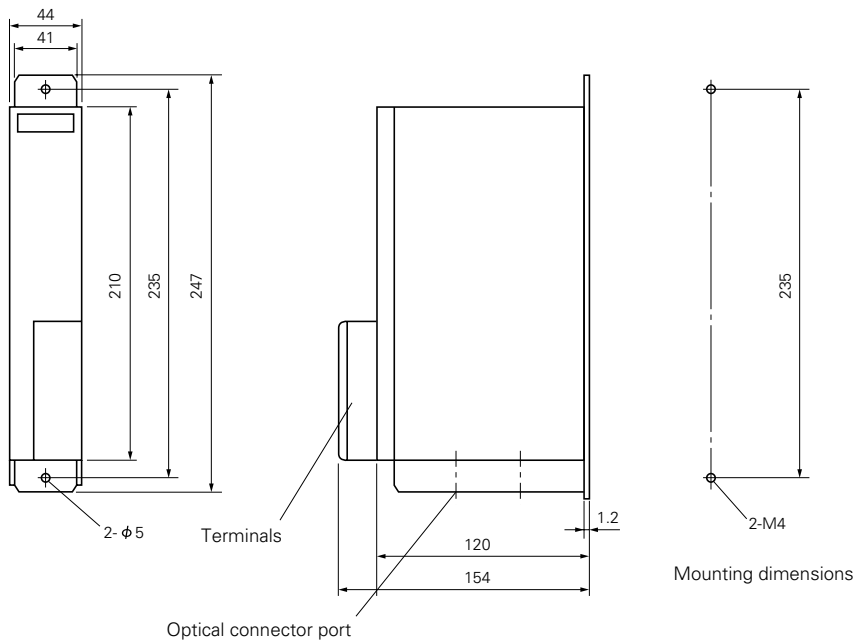
SYSTEM CONFIGURATION DIAGRAM



EXTERNAL CONNECTION DIAGRAM



OUTLINE DIAGRAM (Unit: mm)



⚠ Caution on Safety

*Before using this product, be sure to read its instruction manual in advance.

Fuji Electric Systems Co., Ltd.

Head Office

6-17, Sanbancho, Chiyoda-ku, Tokyo 102-0075, Japan
<http://www.fesys.co.jp/eng>

Sales Div.

International Sales Dept.

No.1, Fuji-machi, Hino-city, Tokyo, 191-8502 Japan
 Phone: 81-42-585-6201, 6202 Fax: 81-42-585-6187
<http://www.fic-net.jp/eng>