



### Features


- ◇ For RF SAW filter
- ◇ Single-ended operation
- ◇ Ceramic Surface Mount Package
- ◇ Small size
- ◇ No matching required for operation at 50Ω
- ◇ RoHS compliant (2002/95/EC), Pb-free

### Specifications

Parameter	Unit	Minimum	Typical	Maximum
Center Frequency	MHz	-	945	-
Insertion Loss(930~960MHz)	dB	-	2.4	3.6
1 dB Bandwidth	MHz	30	35.1	-
3 dB Bandwidth	MHz	40	40.13	-
Passband variation(930~960MHz)	dB	-	0.8	1.8
Ultimate Rejection	DC~885MHz	dB	48	-
	885~915MHz	dB	18	-
	990~1050MHz	dB	20	-
	1050~2000MHz	dB	30	-
Material Temperature coefficient	KHz/°C	-30.24		
Substrate Material	-	42LT		
Ambient Temperature	°C	25		
Operating Temperature Range	°C	-40	-	+85
Storage Temperature Range	°C	-45	-	+105
DC Voltage	V	0		
Input Power	dBm	-	-	10
ESD Class	-	1A		
Package Size	SMD3.8*3.8			

#### Notes:

1. All specifications are based on the test circuit shown;
2. In production, all specifications are measured by Agilent Network analyzer and full 2 port calibration at room temperature;
3. Electrical margin has been built into the design to account for the variations due to temperature drift and manufacturing tolerances;
4. This is the optimum impedance in order to achieve the performance show.

	<b>SIPAT Co., Ltd.</b> ( CETC No.26 Research Institute ) #14 Nanping Huayuan Road, Chongqing, China, 400060	Part Number	LBT94502	
		Rev. Date	2009-09-28	
		Ver.	1.0	Page

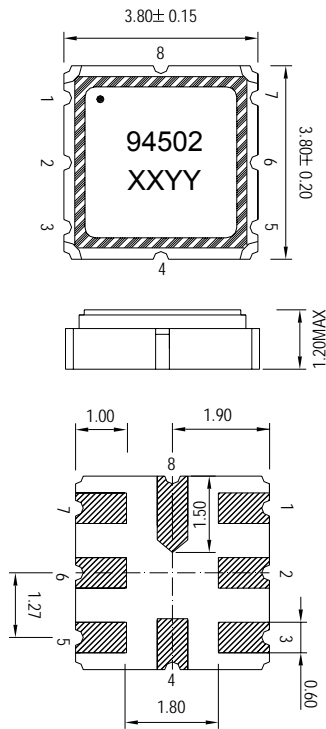
### Matching Configuration



Source/Load Impedance=50 ohm

Notes - Component values may change depending on board layout.

### Package Dimension



#### Pad Configuration:

Input: 2  
Output: 6  
Ground: All Others

#### Marking Configuration:

- 1) •: Pad Number 1 Index
- 2) 94502: Part Number
- 3) XXYY: Date(Year/month)

Package: SMD3.8\*3.8

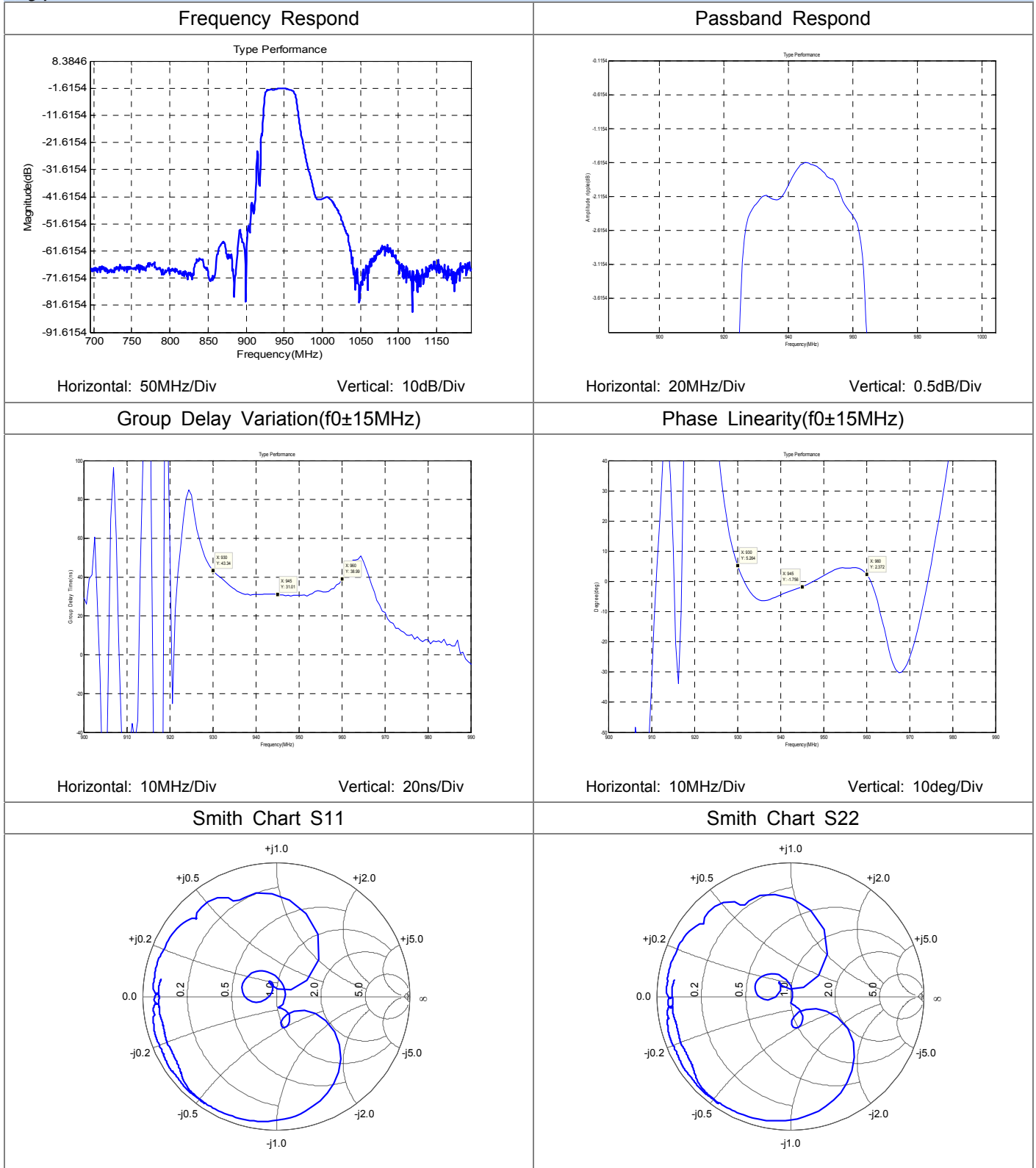
Unit: mm



**SIPAT Co., Ltd.**  
( CETC No.26 Research Institute )  
#14 Nanping Huayuan Road,  
Chongqing, China, 400060

Part Number	LBT94502	
Rev. Date	2009-09-28	
Ver.	1.0	Page 2/3

*Typical Performance*



**SIPAT Co., Ltd.**  
( CETC No.26 Research Institute )  
#14 Nanping Huayuan Road,  
Chongqing, China, 400060

Part Number	LBT94502	
Rev. Date	2009-09-28	
Ver.	1.0	Page 3/3