

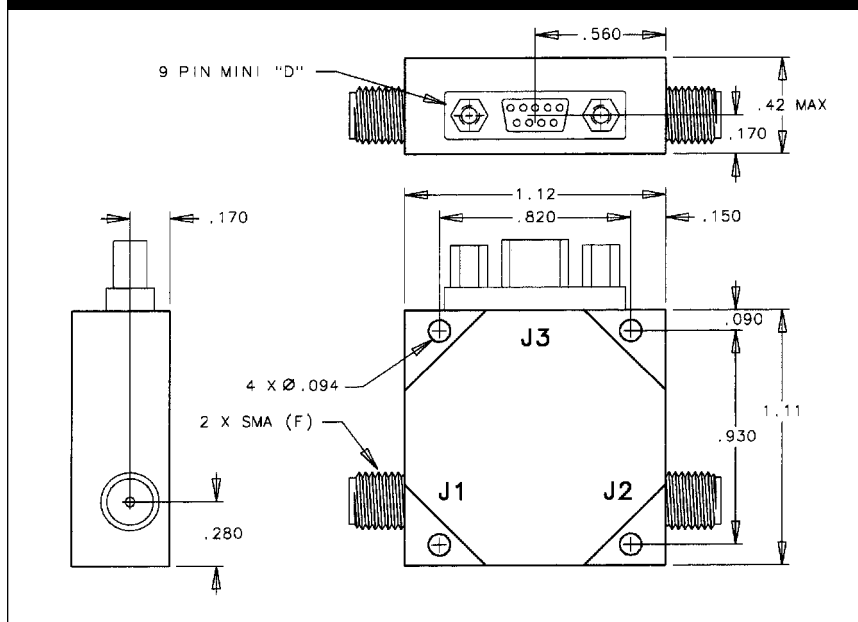
SINGLE POLE, SINGLE THROW CONNECTORIZED SWITCHES WITH DIGITAL CONNECTORS



ELECTRICAL CHARACTERISTICS

PART #	TYPE	FREQ RANGE GHz	LOSS dB	ISO dB	VSWR	SWITCH SPEED ns	RF POWER dBm	DC SUPPLY Volts
6023	SPST N	1-18	3.5	60	2.0:1	35	30	+5,-15
6024	SPST N	.01-1	3	80	2.0:1	35-1000	27	+5,-15
6025	SPST R	2-18	2.5	60	2.0:1	12	20	+5,-5
6026	SPST R	6-18	1.8	40	1.5:1	100	50	+5,-15

PACKAGE OUTLINE



DESCRIPTION

Wideband switches optimized for fast switching speed and/or low video feed-through. Each one is designed for use in highly integrated sub-systems where flex-cable and/or impedance control of digital lines is required. In addition, the nine-pin micro-D connector easily integrates to control logic without the need for soldered connections. Hermetic, military/industrial design.

ADDITIONAL FEATURES (#6023)

- Video feed-through: -60 dBm

CONNECTORS

- SMA

OPERATING ENVIRONMENT

- Operating Temperature: -55 to +125°C
- Storage Temperature: -65 to +150°C
- Impedance: 50 ohm
- Control: Transistor-Transistor Logic (TTL)

APPLICATIONS

- Radar simulation
- Microwave pulse modulator
- Radar stimulator
- Mass spectrometers