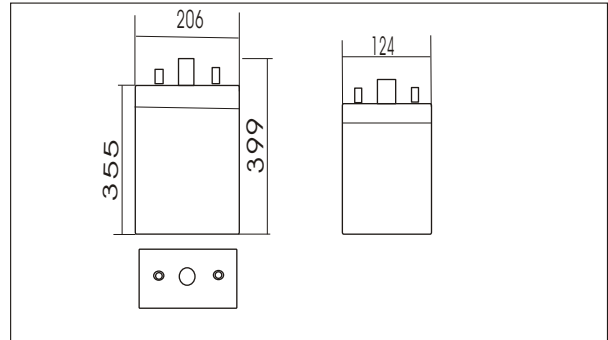




50PzV250 (2V250Ah)



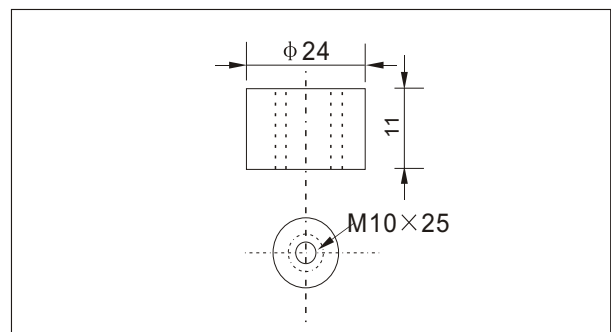
Outer dimensions (mm)



Specifications

Nominal Voltage	2 V	
Rated capacity (10 hour rate)	250 Ah	
Dimensions	Total Height	399 mm (15.7 inches)
	Height	355mm (13.98inches)
	Length	124 mm (4.88 Inches)
	Width	206 mm (8.11inches)
Weight Approx	23Kg (50.6lbs)	

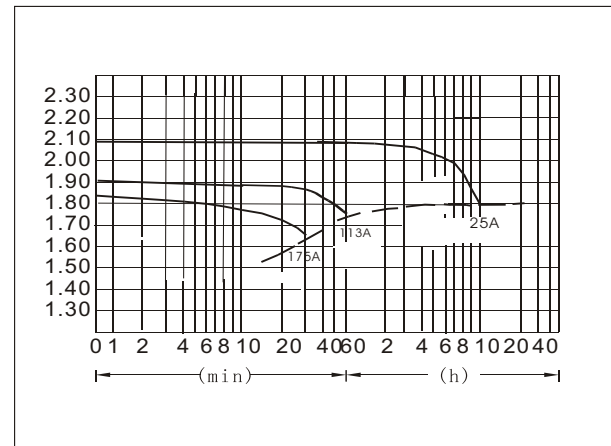
Terminal Type (mm)



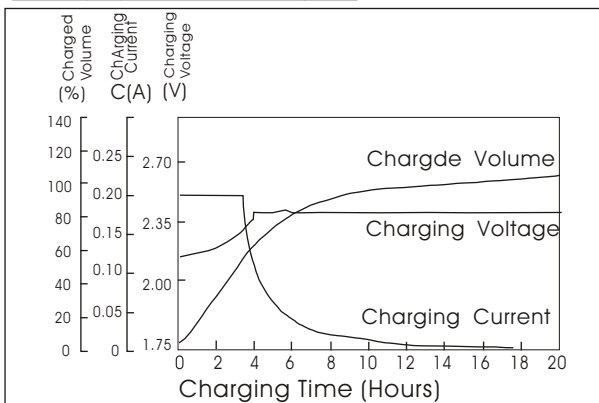
Characteristics

Capacity 25°C(77°F)	10 hour rate(25A)	250Ah
	1 hour rate(113A)	113 Ah
	0.5 hour rate(175A)	87.5Ah
Capacity affected by Temperature (10hour rate)	40°C(104°F)	102%
	25°C(77°F)	100%
	0°C(32°F)	85%
	-15°C(5°F)	65%
Self-Discharge at 25°C(77°F)	Capacity after 3 month storage	91%
	Capacity after 6 month storage	82%
	Capacity after 12 month storage	64%
Terminal quantity	2	
Charge (constant Voltage)	Initial Charging Current less than 50.0A Voltage 2.25-2.40V	

Discharge Curves 25°C(77°F)



Charging characteristics(25°C)



Cycling Curves

