

## Silicon PNP Power Transistors

2N5611A

## DESCRIPTION

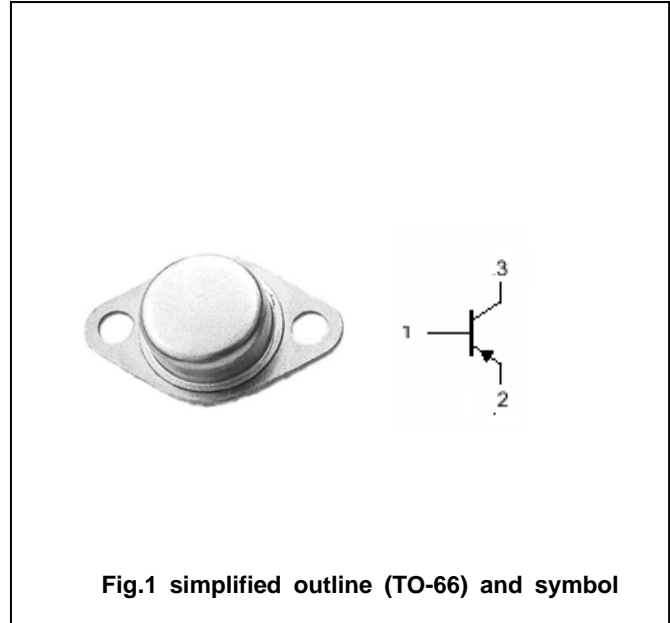
- With TO-66 package
- Excellent safe operating area
- Low collector saturation voltage

## APPLICATIONS

- For general-purpose amplifier ;  
and switching applications

## PINNING(see Fig.2)

PIN	DESCRIPTION
1	Base
2	Emitter
3	Collector

Absolute maximum ratings( $T_a = ^\circ\text{C}$ )

SYMBOL	PARAMETER	CONDITIONS	VALUE	UNIT
$V_{CBO}$	Collector-base voltage	Open emitter	-120	V
$V_{CEO}$	Collector-emitter voltage	Open base	-100	V
$V_{EBO}$	Emitter-base voltage	Open collector	-5	V
$I_C$	Collector current		-5	A
$P_D$	Total power dissipation	$T_C = 25^\circ\text{C}$	25	W
$T_j$	Junction temperature		150	$^\circ\text{C}$
$T_{stg}$	Storage temperature		-65~150	$^\circ\text{C}$

## THERMAL CHARACTERISTICS

SYMBOL	PARAMETER	VALUE	UNIT
$R_{th\ j-c}$	Thermal resistance junction to case	4.37	$^\circ\text{C/W}$

## Silicon PNP Power Transistors

2N5611A

## CHARACTERISTICS

T<sub>j</sub>=25°C unless otherwise specified

SYMBOL	PARAMETER	CONDITIONS	MIN	TYP.	MAX	UNIT
V <sub>CEO(SUS)</sub>	Collector-emitter sustaining voltage	I <sub>C</sub> =-50mA ; I <sub>B</sub> =0	-100			V
V <sub>CEsat</sub>	Collector-emitter saturation voltage	I <sub>C</sub> =-1A; I <sub>B</sub> =-0.1A			-0.5	V
V <sub>BE</sub>	Base-emitter on voltage	I <sub>C</sub> =-2.5A ; V <sub>CE</sub> =-5V			-1.5	V
I <sub>CBO</sub>	Collector cut-off current	V <sub>CB</sub> =Rated V <sub>CBO</sub> ; I <sub>E</sub> =0			-0.1	mA
I <sub>CEO</sub>	Collector cut-off current	V <sub>CE</sub> = Rated V <sub>CEO</sub> , I <sub>B</sub> =0			-1.0	mA
I <sub>EBO</sub>	Emitter cut-off current	V <sub>EB</sub> =-5V; I <sub>C</sub> =0			-0.1	mA
h <sub>FE</sub>	DC current gain	I <sub>C</sub> =-2.5A ; V <sub>CE</sub> =-5V	30		150	
f <sub>T</sub>	Transition frequency	I <sub>C</sub> =-0.5A ; V <sub>CE</sub> =-10V	60			MHz

PACKAGE OUTLINE

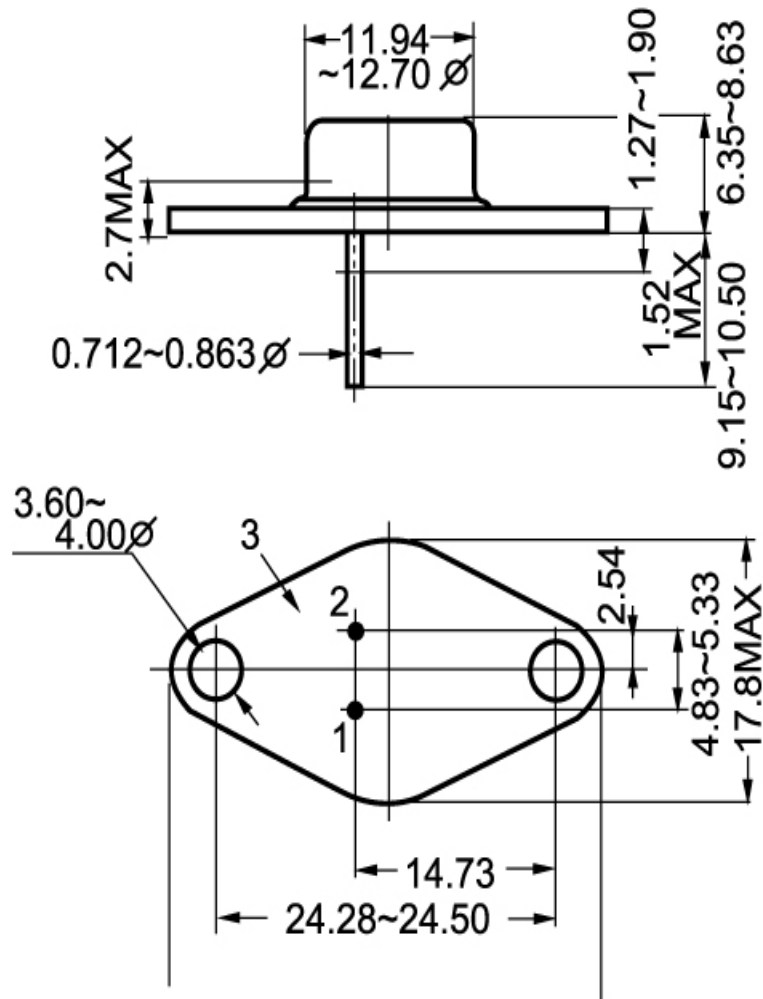


Fig.2 outline dimensions