



Frontier Electronics Corp.

667 E. COCHRAN STREET, SIMI VALLEY, CA 93065

TEL: (805) 522-9998 FAX: (805) 522-9989

E-mail: frontiersales@frontierusa.com

Web: frontierusa.com

High Current RF Varnished Chokes (Axial Leads)-11411 series

A. Electrical Specifications:

Part No.	L (uH)	DCR (Ω max.)	I sat. (DC Amps)	I rms. (AC Amps)
114113R9_-LFR	3.9	.007	15.5	4.00
114114R7_-LFR	4.7	.008	13.9	4.00
114115R6_-LFR	5.6	.011	12.6	4.00
114116R8_-LFR	6.8	.011	11.6	4.00
114118R2_-LFR	8.2	.013	9.89	4.00
11411100_-LFR	10	.017	8.70	4.00
11411120_-LFR	12	.019	8.21	4.00
11411150_-LFR	15	.022	7.34	4.00
11411180_-LFR	18	.023	6.64	4.00
11411220_-LFR	22	.026	6.07	4.00
11411270_-LFR	27	.027	5.36	4.00
11411330_-LFR	33	.032	4.82	4.00
11411390_-LFR	39	.033	4.36	4.00
11411470_-LFR	47	.035	3.98	4.00
11411560_-LFR	56	.037	3.66	3.20
11411680_-LFR	68	.047	3.31	2.50
11411820_-LFR	82	.060	3.10	2.00
11411101_-LFR	100	.090	2.79	1.60
11411121_-LFR	120	.113	2.54	1.60
11411151_-LFR	150	.129	2.22	1.60
11411181_-LFR	180	.150	1.98	1.60
11411221_-LFR	220	.162	1.89	1.60
11411271_-LFR	270	.208	1.63	1.60
11411331_-LFR	330	.212	1.51	1.60
11411391_-LFR	390	.281	1.39	1.60
11411471_-LFR	470	.380	1.24	1.20
11411561_-LFR	560	.420	1.17	1.00
11411681_-LFR	680	.548	1.05	1.00
11411821_-LFR	820	.655	0.97	0.800
11411102_-LFR	1000	.844	0.87	0.800
11411122_-LFR	1200	1.04	0.79	0.600
11411152_-LFR	1500	1.16	0.70	0.600
11411182_-LFR	1800	1.56	0.64	0.600
11411222_-LFR	2200	2.00	0.58	0.500
11411272_-LFR	2700	2.06	0.53	0.400
11411332_-LFR	3300	2.53	0.47	0.400
11411392_-LFR	3900	2.75	0.43	0.400
11411472_-LFR	4700	3.19	0.39	0.400
11411562_-LFR	5600	3.92	0.359	0.315
11411682_-LFR	6800	5.69	0.322	0.250
11411822_-LFR	8200	6.32	0.293	0.250
11411103_-LFR	10000	7.30	0.266	0.250
11411123_-LFR	12000	9.21	0.241	0.200
11411153_-LFR	15000	10.5	0.214	0.200
11411183_-LFR	18000	14.8	0.198	0.158
11411223_-LFR	22000	21.8	0.180	0.125
11411273_-LFR	27000	22.7	0.162	0.125
11411333_-LFR	33000	25.7	0.146	0.125
11411393_-LFR	39000	31.8	0.135	0.100
11411473_-LFR	47000	36.1	0.122	0.100
11411563_-LFR	56000	40.9	0.112	0.100
11411683_-LFR	68000	57.3	0.101	0.082
11411823_-LFR	82000	79.3	0.090	0.065
11411104_-LFR	100000	89.7	0.810	0.065



Frontier Electronics Corp.

667 E. COCHRAN STREET, SIMI VALLEY, CA 93065

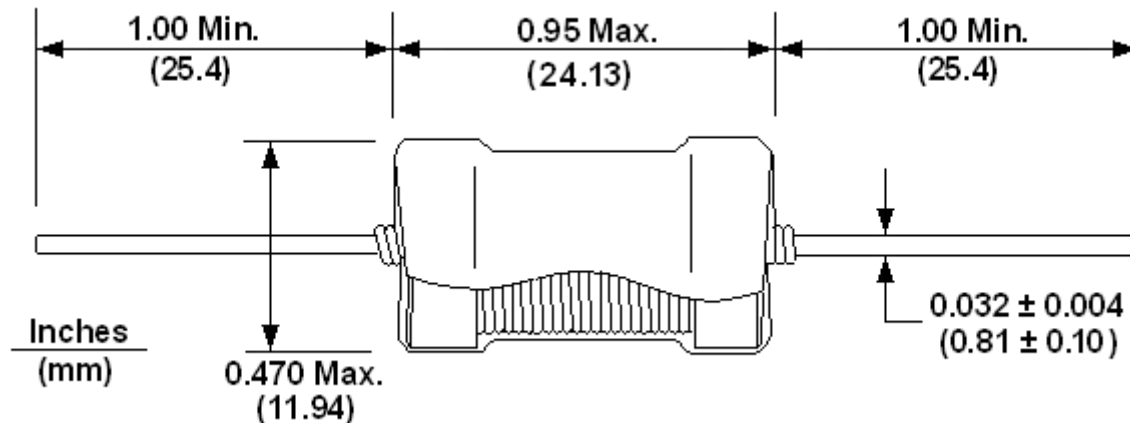
TEL: (805) 522-9998 FAX: (805) 522-9989

E-mail: frontiersales@frontierusa.com

Web: frontierusa.com

High Current RF Varnished Chokes (Axial Leads)-11411 series

B. Mechanical Dimensions:



C. General Information:

1. Inductance measured at 1.0KHz.
2. Tolerance: L: ±15%, K: ±10% and J: ±5% tolerances optional.
3. Core: Ferrite bobbin core
4. Low DCR & High current capacity.
5. Saturation current to cause 10% maximum inductance drop.
6. Ambient Temperature -55°C to +125°C.
7. Rated current to cause 35°C max. temperature rise
8. Dielectric strength 2500Vrms
9. Coil finished with varnish and covered with VW1 rated shrink tubing.
10. Packaging for bulk: 48 pcs/box and 768 pcs/carton.

*Note: Parts are **RoHS** compliant.*