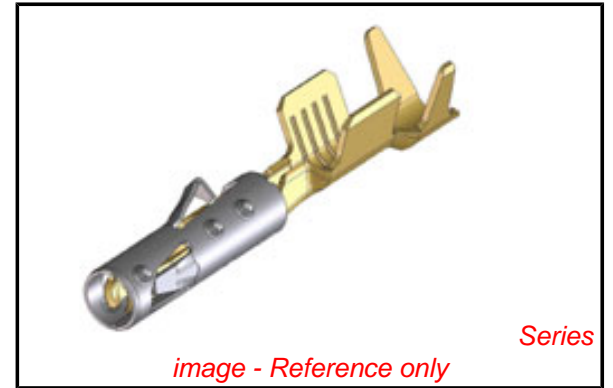


PLEASE CHECK WWW.MOLEX.COM FOR LATEST PART INFORMATION

Part Number: [0643221039](#)
Status: **Active**
Overview: [cmc connectors](#)
Description: 0.635mm (.025") CMC CP Female Terminal, Tin Plated, for Square 0.6mm x 0.6mm Pins, Wire Size 0.5mm²

Documents:

3D Model	Product Specification PS-64319-001 (PDF)
Drawing (PDF)	Product Specification PS-64321-001 (PDF)
Product Specification PS-64318-001 (PDF)	RoHS Certificate of Compliance (PDF)



General

Product Family	Crimp Terminals
Series	64322
Comments	* Current tested on a 5 terminals loaded connector, current for temperature increase of 40°C. Current max = 6.0A for 0.635mm Terminal(0.75mm ² wire)
Crimp Quality Equipment	Yes
Overview	cmc connectors
Product Name	CMC, CP Terminal

Physical

Durability (mating cycles max)	20
Gender	Female
Material - Metal	Phosphor Bronze
Material - Plating Mating	Tin
Material - Plating Termination	Tin
Packaging Type	Reel
Plating min: Mating (µm)	1.5, 3
Termination Interface: Style	Crimp or Compression
Wire Insulation Diameter	1.40mm-1.7mm
Wire Size AWG	N/A
Wire Size mm ²	0.5

Electrical

Current - Maximum per Contact	6A
Voltage - Maximum	250V AC

Material Info

Reference - Drawing Numbers

Application Specification	AS-64321-001
Packaging Specification	PK-98913-001
Product Specification	PS-64318-001, PS-64319-001, PS-64321-001
Sales Drawing	SD-64322-001

EU RoHS

ELV and RoHS Compliant
REACH SVHC
 Not Reviewed
Halogen-Free Status

China RoHS



Need more information on product environmental compliance?

Email productcompliance@molex.com
 For a multiple part number RoHS Certificate of Compliance, [click here](#)

Please visit the [Contact Us](#) section for any non-product compliance questions.

Search Parts in this Series

[64322Series](#)

Mates With

CMC Connector [64318](#) , [64319](#) , [64320](#) , [64321](#)

Use With

CMC Connector [64318](#) , [64319](#) , [64320](#) , [64321](#)

Application Tooling | FAQ

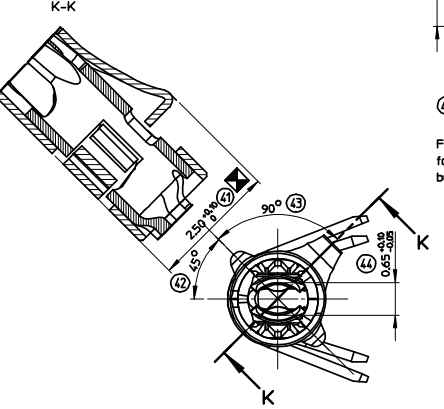
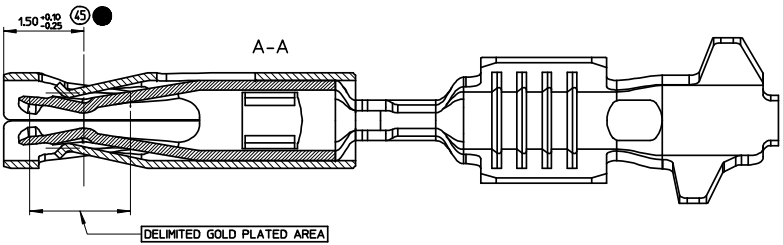
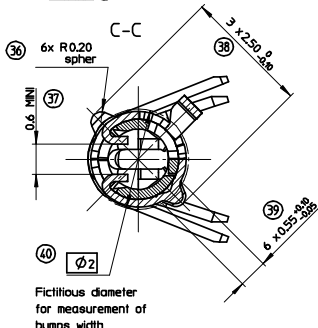
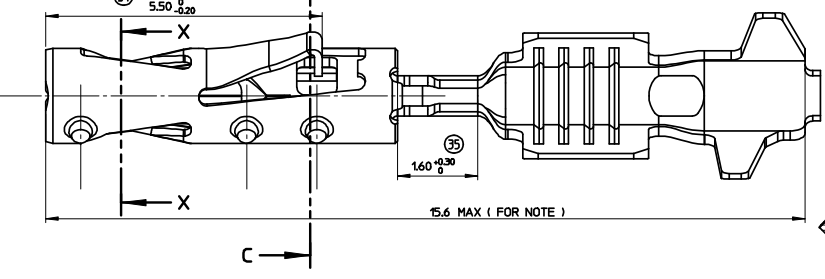
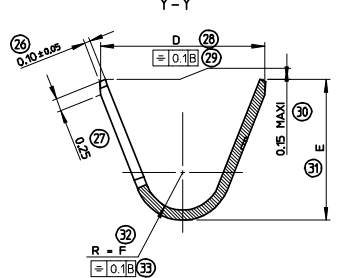
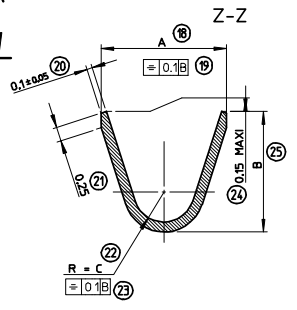
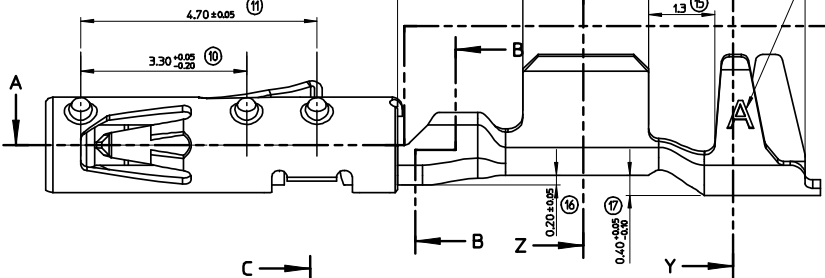
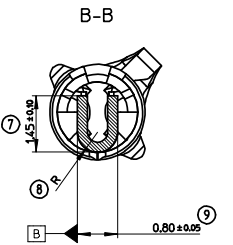
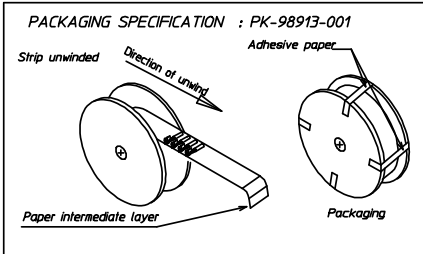
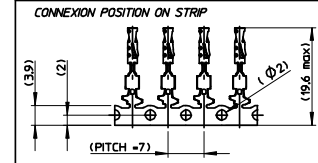
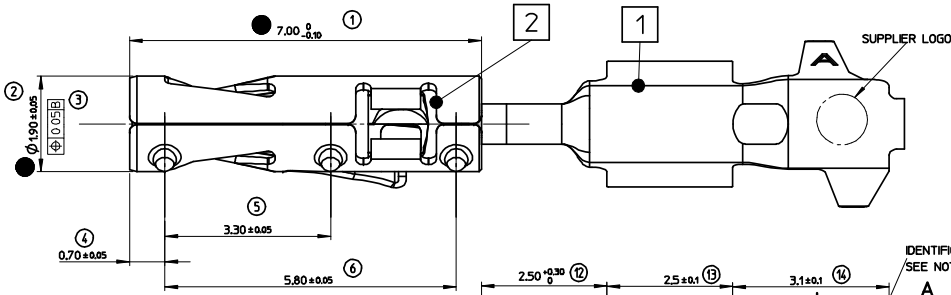
Tooling specifications and manuals are found by selecting the products below. Crimp Height Specifications are then contained in the Application Tooling Specification document.

Global

Description	Product #
FineAdjust™ Applicator	0638689000
Extraction Tool	0638132400
HAND CRIMP TOOL	0638119200

This document was generated on 06/07/2010

PLEASE CHECK WWW.MOLEX.COM FOR LATEST PART INFORMATION



NOTE :
 - MARKING "A" is used to identify "STANDARD" terminal
 - CRIMPING SPECIFICATION ACCORDING TO CS-64322-001

2	BOX TERMINAL	STAINLESS STEEL thickness=0.15 mm
1	BODY TERMINAL	high conductivity copper alloy thickness=0.2 mm
MARK	DESIGNATION	MATERIAL

(SKC)	COTES CARACTERISTIQUES SPECIALES	SPECIAL KEY CHARACTERISTICS
⊗	INDICATION DIMENSIONS S.P.C	DENOTES S.P.C DIMENSIONS
⊗	INDICATION DIMENSIONS CRITIQUES	DENOTES CRITICAL DIMENSIONS
●	INDICATION DIMENSIONS FONCTIONNELLES	DENOTES FUNCTIONAL DIMENSIONS
⊗ 1	QUANTITE PAR FEUILLE INDIVIDUELLE	QUANTITY PER INDIVIDUAL SHEET
⊗ 0		
● 4		(SKC) 0

0643221029	Sn	Sn		0.75	2.5	2.4	0.6	3.3	2.8	0.75	0.119
0643221219	Au 1.27μ MINI	Sn	Ni								
0643221039	Sn	Sn		0.50	2.3	2.2	0.6	3.1	2.6	0.75	0.117
0643221239	Au 1.27μ MINI	Sn	Ni								
0643221019	Sn	Sn		0.22 TO 0.44	2.0	1.7	0.6	3.1	2.6	0.75	0.112
0643221229	Au 1.27μ MINI	Sn	Ni								
PART NUMBER	CONTACT AREA	CRIMPING AREA	UNDERLAYER	CRIMPING RANGE (mm2)	A±0.2	B±0.2	rC ±0.15 -0.1	D±0.2	E±0.2	rF±0.1	WEIGHT (g)

Revised Dwg
 EC NO: GZ008-0440
 DRAWN BY: JIUOU
 CHKD BY: FPARLARI
 APPRVL BY: LKLR
 2008/05/19
 2008/05/19
 2008/05/19

GENERAL TOLERANCES (UNLESS SPECIFIED)	DIMENSION STYLE	SCALE	DESIGN UNITS	FIRST ANGLE PROJECTION
mm	MM ONLY	20:1	METRIC	
4 PLACES ± --- ± ---	DRAWN BY DATE	TITLE		
3 PLACES ± --- ± ---	FPARLARI 2007/09/17	CP RCPT TRM 0.6		
2 PLACES ± 0.10 ± ---	CHECKED BY DATE	MOLEX INCORPORATED		
1 PLACE ± 0.1 ± ---	IDUCLOS 2007/09/17	SD-64322-001		
ANGULAR ± 2°	APPROVED BY DATE	SHEET NO.		
	LSTICKEIR 2007/09/17	1 OF 1		
DRAFT WHERE APPLICABLE MUST REMAIN WITHIN DIMENSIONS	MATERIAL NO.	DOCUMENT NO.		
	SEE CHART			
	THIS DRAWING CONTAINS INFORMATION THAT IS PROPRIETARY TO MOLEX INCORPORATED AND SHOULD NOT BE USED WITHOUT WRITTEN PERMISSION			