

PLEASE CHECK WWW.MOLEX.COM FOR LATEST PART INFORMATION

Part Number: [0747121002](#)
Status: **Active**
Overview: [ganged_rf](#)
Description: 6.25mm (.246") Pitch Ganged RF Header, Vertical, 4 Circuits

Documents:

[Drawing \(PDF\)](#) [Product Specification PS-74854-001 \(PDF\)](#)
[Packaging Specification \(PDF\)](#) [RoHS Certificate of Compliance \(PDF\)](#)

Agency Certification

CSA LR19980
 UL E107635

General

Product Family Backplane Connectors
 Series [74712](#)
 Application Backplane
 Comments Ports Numbered 2 and 8 Loaded
 Component Type PCB Header
 Overview [ganged_rf](#)
 Product Name Ganged RF
 Style N/A

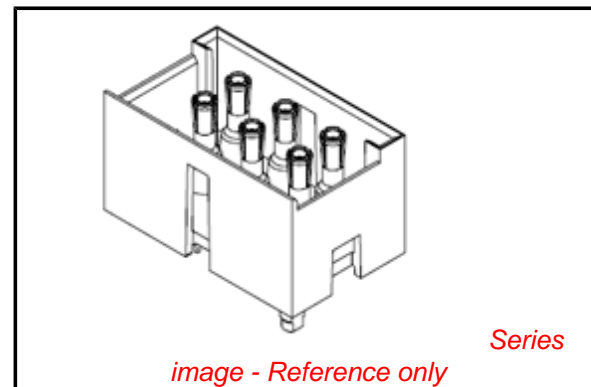
Physical

Circuits (Loaded) 4
 Circuits (maximum) 6
 Circuits Detail 4
 Color - Resin Black, Natural
 Durability (mating cycles max) 500
 First Mate / Last Break No
 Flammability 94V-0
 Guide to Mating Part No
 Keying to Mating Part None
 Material - Metal Copper
 Material - Resin High Temperature Thermoplastic, Polyester
 Number of Columns 3
 Number of Pairs N/A
 Number of Rows 2
 Orientation Vertical
 PCB Retention None
 PCB Thickness Recommended (in) 0.125 In
 PCB Thickness Recommended (mm) 3.20 mm
 Packaging Type Tray
 Pitch - Mating Interface (in) 0.246 In
 Pitch - Mating Interface (mm) 6.25 mm
 Polarized to PCB Yes
 Surface Mount Compatible (SMC) Yes
 Temperature Range - Operating -40°C to +85°C
 Termination Interface: Style Through Hole - Compliant Pin

Electrical

Current - Maximum per Contact 1A
 Data Rate 3.0 Gbps
 Voltage - Maximum 50V AC

Material Info



EU RoHS

RoHS Compliant by Exemption
REACH SVHC
 Not Reviewed
Halogen-Free Status
Not Reviewed

China RoHS



Need more information on product environmental compliance?

Email productcompliance@molex.com
 For a multiple part number RoHS Certificate of Compliance, [click here](#)

Please visit the [Contact Us](#) section for any non-product compliance questions.

Search Parts in this Series

[74712Series](#)

Mates With

[74642 Ganged RF Receptacle](#)

Reference - Drawing Numbers

Packaging Specification

Product Specification

Sales Drawing

PK-74712-101

PS-74854-001

SD-74712-003

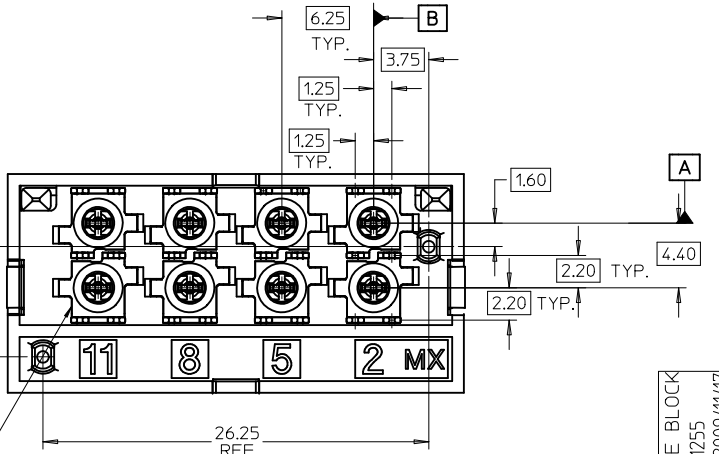
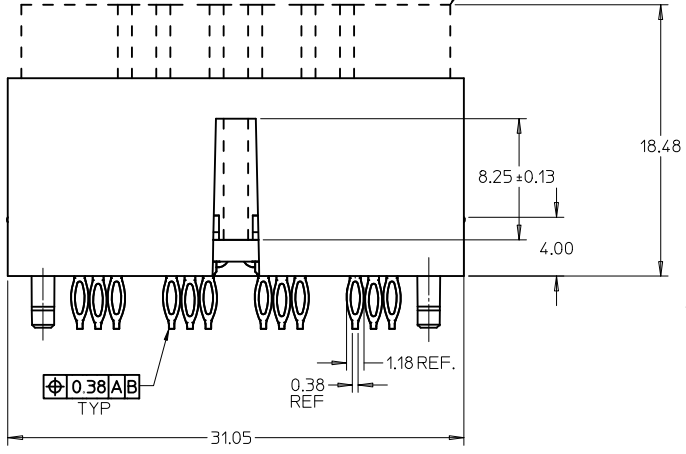
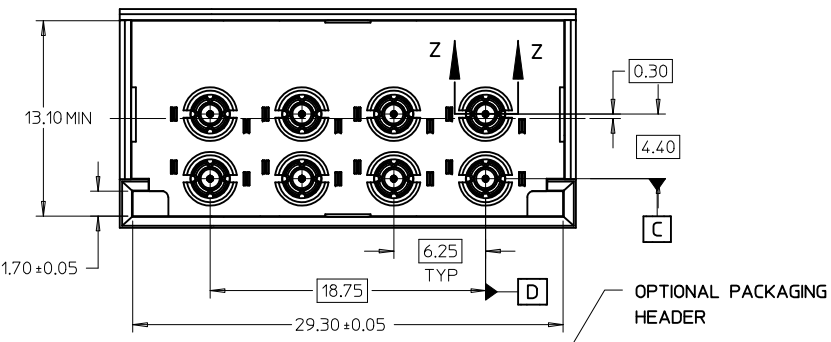
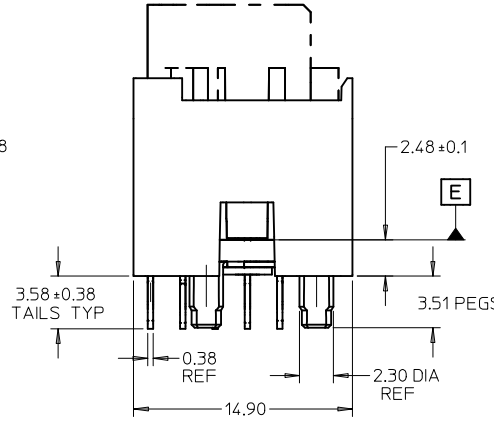
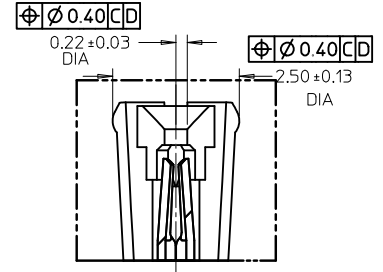
This document was generated on 05/15/2010

PLEASE CHECK WWW.MOLEX.COM FOR LATEST PART INFORMATION

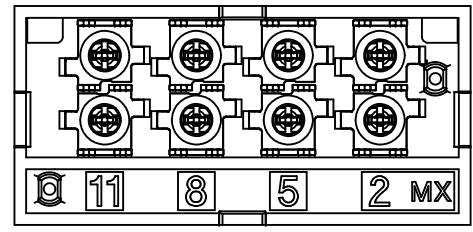
| | | |
|--------------|------------------------------|-----------------|
| MATERIAL NO. | TERMINAL LOADING BY POSITION | 74712 PACKAGING |
| 74712-0001 | 2, 5, 8, 11 | PK-74712-001 |
| 74712-0002 | 2 | PK-74712-001 |
| 74712-0003 | 2, 5, 8, 11 | PK-74712-002 |

NOTES:

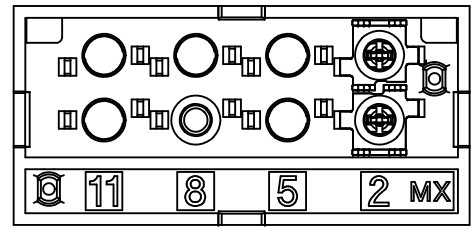
- MATERIAL:
 - HOUSING: GLASS FILLED THERMO PLASTIC, 94V-0
 - INSULATOR: GLASS FILLED THERMO PLASTIC, 94V-0
 - PACKAGING HEADER: GLASS FILLED THERMO PLASTIC, 94V-0
 - TERMINALS AND GROUND: TIN BRASS
 - OUTER GROUND CONTACT: PHOSPHOR BRONZE
- PLATING:
 - TERMINALS:
 - SELECTIVE 0.76 MICRONS MIN. GOLD IN CONTACT AREA
 - SELECTIVE 0.88 MICRONS MIN. TIN BOTH OVER
 - 1.27 MICRONS MIN. NICKEL UNDERPLATE
 - GROUNDS:
 - 0.88 MICRONS MIN. TIN OVERALL OVER
 - 1.27 MICRONS MIN. NICKEL UNDERPLATE
 - OUTER GROUND CONTACT:
 - 0.76 MICRONS MIN. GOLD OVERALL OVER
 - 1.27 MICRONS MIN. NICKEL UNDERPLATE
- REFER TO PRODUCT SPEC.: PS-74854-001 FOR ELECTRICAL, MECHANICAL AND ENVIRONMENTAL REQUIREMENTS.
- REFER TO PACKAGING SPEC STATED IN CHARTS FOR DETAILS OF THE PACKAGING REQUIREMENTS.
- DATE CODE MARKING TO BE LOCATED ANYWHERE ON PLASTIC HOUSING. FIRST TWO DIGITS = WEEK NUMBER. LAST TWO DIGITS = YEAR.
- THIS PART CONFORMS TO CLASS B REQUIREMENTS OF MOLEX COSMETIC SPECIFICATION PS-45499-002.



CONTACT LOADING OPTIONS FOR 8 POS CONNECTORS



MAT'L NO. 747120001/0003
POSITION 2,5,8 & 11 LOADED

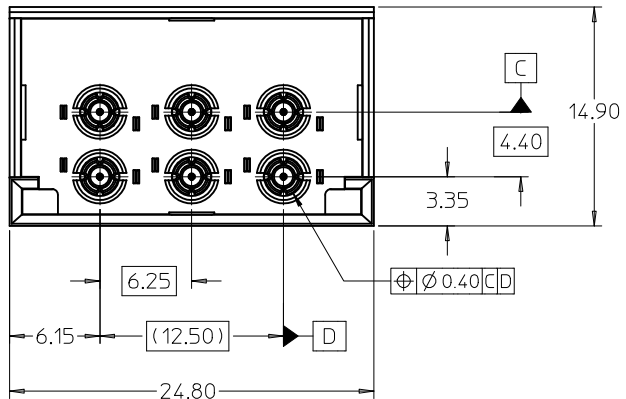


MAT'L NO. 747120002
POSITION 2 LOADED

8 POS. CONNECTOR SHOWN

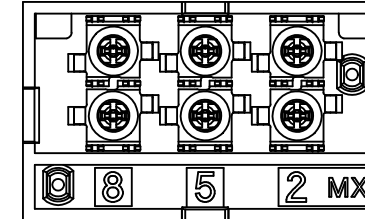
MARKING ON BOTTOM OF SUB-ASSEMBLY INDICATES INSPECTION ACCEPTANCE

| | | | | | | |
|---|-----------------|---|------------------------|---------------------|--|------------------------|
| ADD TOLERANCE BLOCK EC NO: UCP2010-1255 DRWN: JENDOZA 2009/11/17 CHKD: 2009/11/23 APPR: BINGHAM 2009/11/23 | QUALITY SYMBOLS | GENERAL TOLERANCES (UNLESS SPECIFIED) | SCALE 4:1 | DESIGN UNITS METRIC | THIRD ANGLE PROJECTION | REVISE ON CAD ONLY |
| | ▽ 0 ∇ 0 | 4 PLACES ± --- ± --- 3 PLACES ± --- ± --- 2 PLACES ± 0.13 ± --- 1 PLACE ± 0.25 ± --- | mm | INCH | DIMENSION STYLE | |
| | | | MM ONLY | | TITLE | |
| | | | DRAFT WHERE APPLICABLE | | SALES DRAWING FOR VERTICAL GANGED RF CONNECTOR, LONG TAILS | |
| REV E1 | DESCRIPTION | MUST REMAIN WITHIN DIMENSIONS | APPROVED BY J. BINGHAM | DATE 2009/11/23 | MOLEX INCORPORATED | SEE CHART SD-74712-003 |
| | | | APPROVED BY J. BINGHAM | | DOCUMENT NO. SD-74712-003 | |
| | | | DATE 2009/11/23 | | SHEET NO. 1 OF 5 | |
| THIS DRAWING CONTAINS INFORMATION THAT IS PROPRIETARY TO MOLEX INCORPORATED AND SHOULD NOT BE USED WITHOUT WRITTEN PERMISSION | | | | | | |



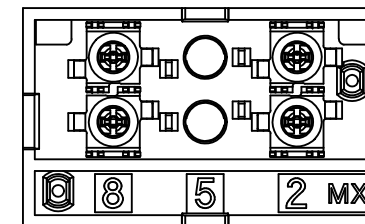
| 6 POSITION CONNECTOR | | | |
|----------------------|--------------------------------|---------------------------|-------------------------|
| MATERIAL NUMBER | POSITION OF LOADED TERMINAL(S) | OPTIONAL PACKAGING HEADER | PACKAGING SPECIFICATION |
| 74712-1001 | 2, 5, 8 | YES | PK-74712-101 |
| 74712-1002 | 2, 8 | YES | |
| 74712-1003 | 2 | YES | |
| 74712-1004 | 8 | YES | PK-74712-102 |
| 74712-1007 | 5 | YES | |
| 74712-1005 | 2, 5, 8 | YES | |
| 74712-1006 | 2 | YES | |

MATERIAL NUMBER: 74712-1001/-1005



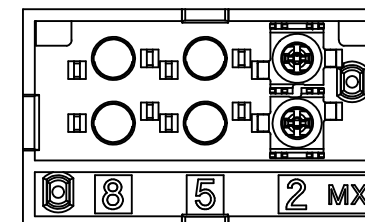
TERMINAL POSITIONS LOADED: 2, 5, 8

MATERIAL NUMBER: 74712-1002



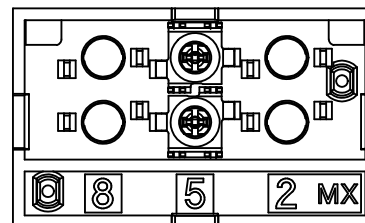
TERMINAL POSITIONS LOADED: 2, 8

MATERIAL NUMBER: 74712-1003/-1006



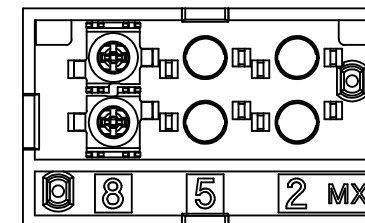
TERMINAL POSITION LOADED: 2

MATERIAL NUMBER: 74712-1007

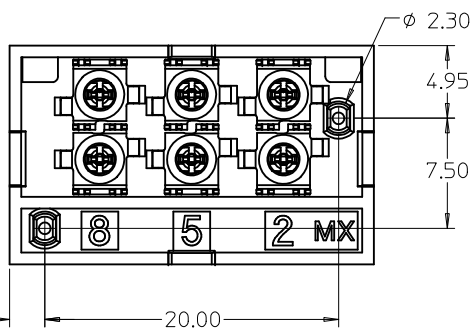
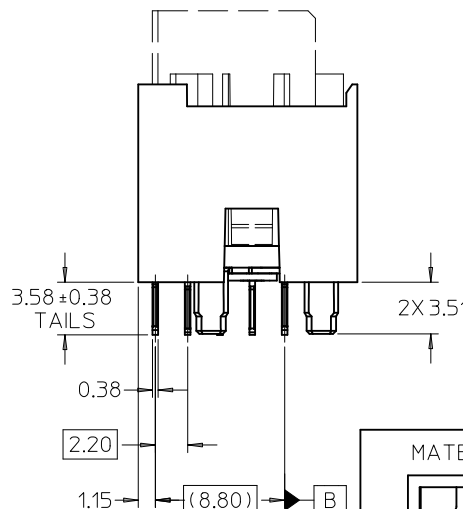
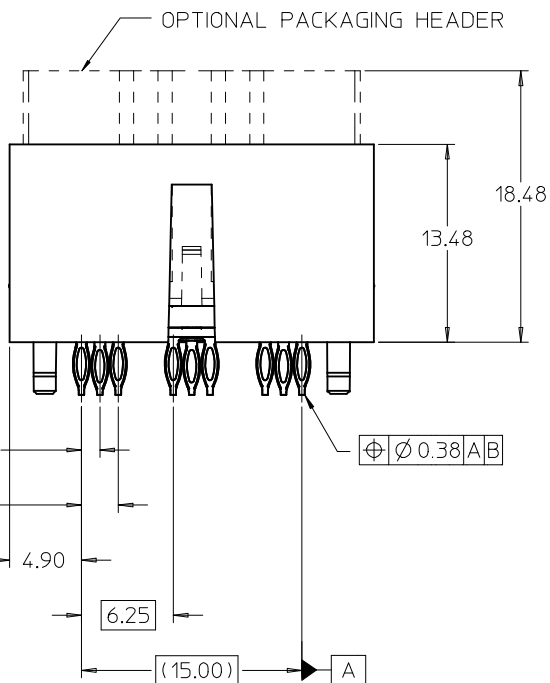


TERMINAL POSITION LOADED: 5

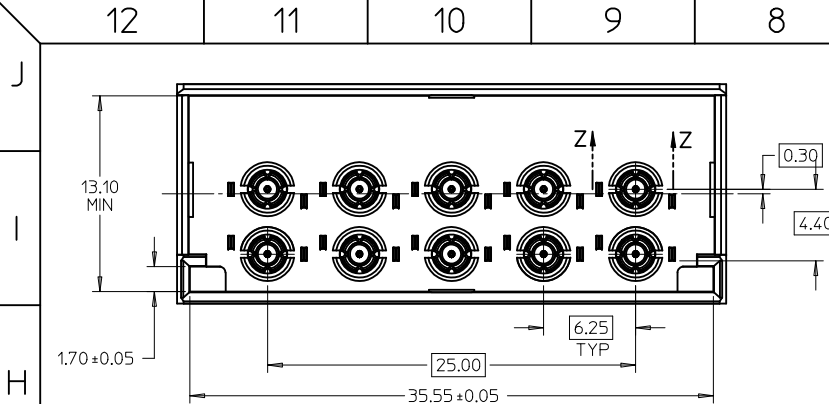
MATERIAL NUMBER: 74712-1004



TERMINAL POSITION LOADED: 8

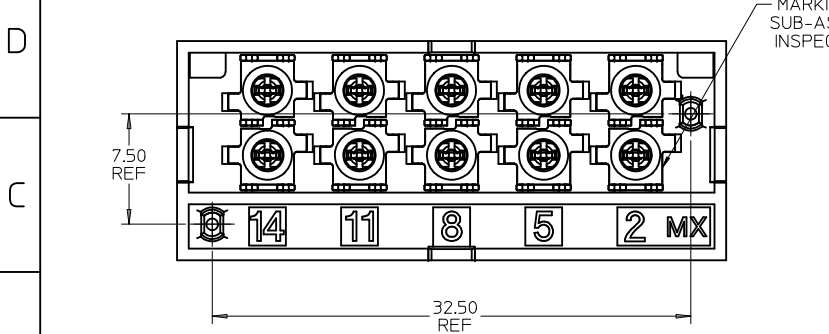
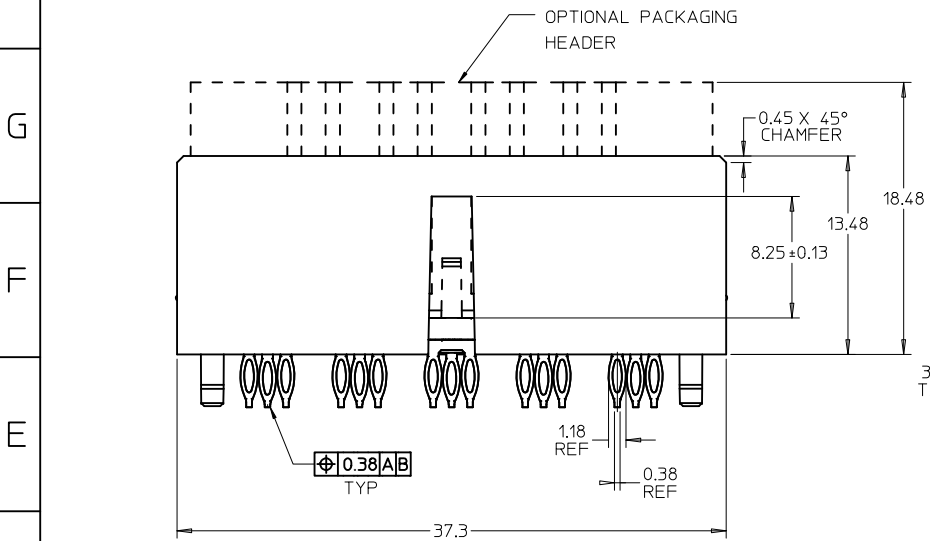


| SEE SHEET 1 EC NO: UCP2010-1255 DRWN: MENDOZA CHKD: J. BINGHAM APPR: J. BINGHAM DATE: 2009/11/17 DATE: 2009/11/23 DATE: 2009/11/23 | QUALITY SYMBOLS ▽=0 ▽=0 | GENERAL TOLERANCES (UNLESS SPECIFIED) <table border="1"> <tr> <th></th> <th>mm</th> <th>INCH</th> </tr> <tr> <td>4 PLACES</td> <td>± 0.15</td> <td>± 0.006</td> </tr> <tr> <td>3 PLACES</td> <td>± 0.20</td> <td>± 0.008</td> </tr> <tr> <td>2 PLACES</td> <td>± 0.25</td> <td>± 0.010</td> </tr> <tr> <td>1 PLACE</td> <td>± 0.30</td> <td>± 0.012</td> </tr> </table> | | mm | INCH | 4 PLACES | ± 0.15 | ± 0.006 | 3 PLACES | ± 0.20 | ± 0.008 | 2 PLACES | ± 0.25 | ± 0.010 | 1 PLACE | ± 0.30 | ± 0.012 | DIMENSION STYLE MM ONLY | SCALE 4:1 | DESIGN UNITS METRIC | THIRD ANGLE PROJECTION |
|---|---|--|----------------------------------|--|--------------------|----------------------------|--------|---------|----------|--------|---------|----------|--------|---------|---------|--------|---------|-----------------------------------|---------------------|-------------------------------|------------------------|
| | | mm | INCH | | | | | | | | | | | | | | | | | | |
| | 4 PLACES | ± 0.15 | ± 0.006 | | | | | | | | | | | | | | | | | | |
| | 3 PLACES | ± 0.20 | ± 0.008 | | | | | | | | | | | | | | | | | | |
| 2 PLACES | ± 0.25 | ± 0.010 | | | | | | | | | | | | | | | | | | | |
| 1 PLACE | ± 0.30 | ± 0.012 | | | | | | | | | | | | | | | | | | | |
| DRAWN BY SREED DATE 2006/06/06 | CHECKED BY J. BINGHAM DATE 2006/06/06 | APPROVED BY J. BINGHAM DATE 2009/11/23 | MATERIAL NO. SEE CHART | TITLE SALES DRAWING FOR VERTICAL GANGED RF CONNECTOR, LONG TAILS | MOLEX INCORPORATED | SHEET NO. 2 OF 5 | | | | | | | | | | | | | | | |
| DRAFT WHERE APPLICABLE MUST REMAIN WITHIN DIMENSIONS | THIS DRAWING CONTAINS INFORMATION THAT IS PROPRIETARY TO MOLEX INCORPORATED AND SHOULD NOT BE USED WITHOUT WRITTEN PERMISSION | DOCUMENT NO. SD-74712-003 | | | | | | | | | | | | | | | | | | | |



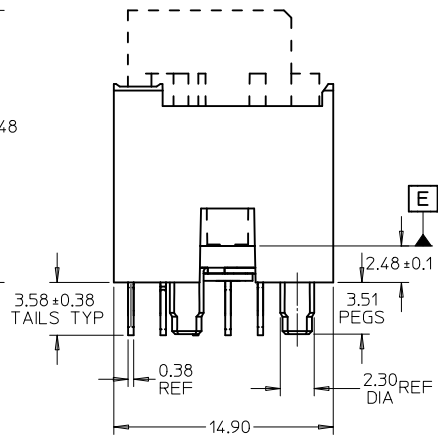
NOTE: REFER TO SHEET 1 FOR ALL DIMENSIONS.
SECTION VIEW AND NOTES NOT SHOWN.

| | | |
|--------------|------------------------------|--------------|
| MATERIAL NO. | TERMINAL LOADING BY POSITION | PACKAGING |
| 74712-3001 | 2, 5, 8, 11, 14 | PK-74712-210 |
| 74712-3002 | 8, 11, 14 | PK-74712-210 |

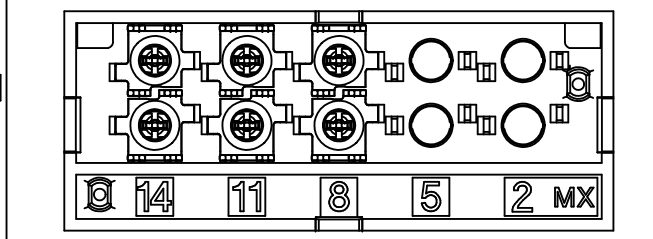


MARKING ON BOTTOM OF SUB-ASSEMBLY INDICATES INSPECTION ACCEPTANCE

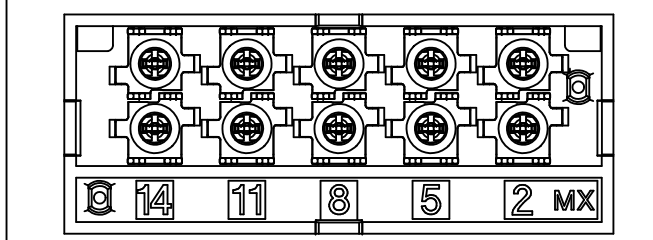
10 POSITION CONNECTOR SHOWN



CONTACT LOADING OPTIONS FOR 10 POSITION CONNECTORS

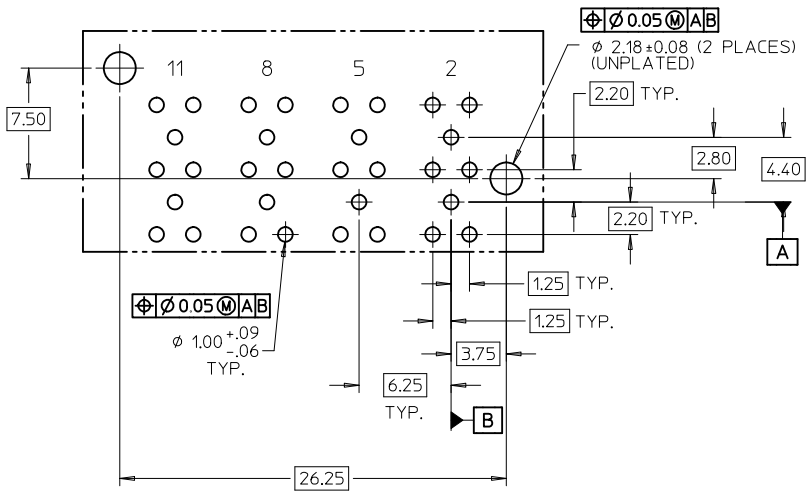


MAT'L NO. 747123002
POSITIONS 8,11,14 LOADED

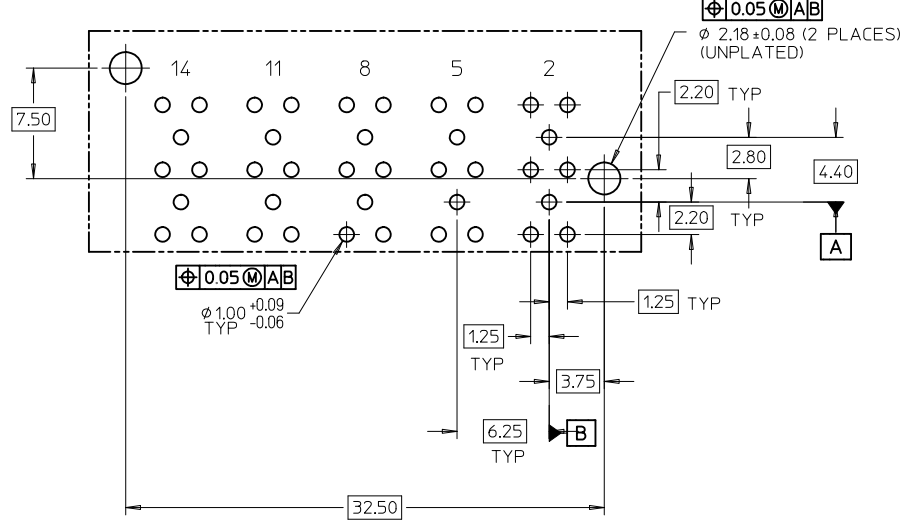


MAT'L NO. 747123001
POSITIONS 2,5,8,11,14 LOADED

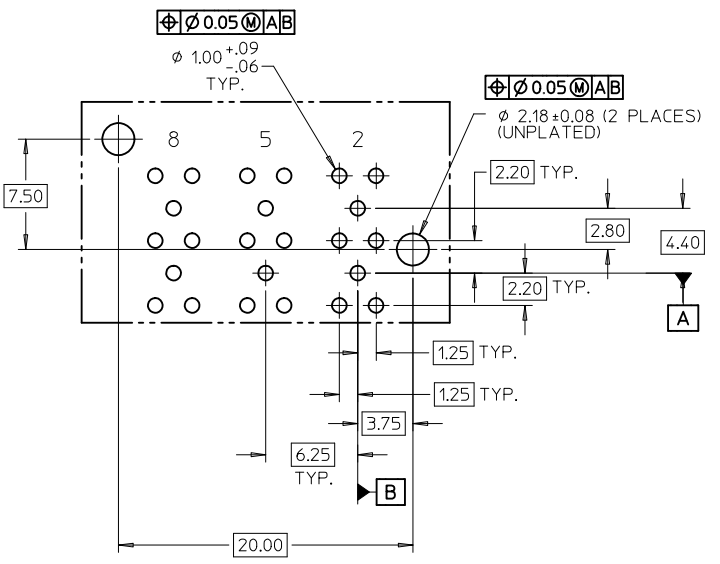
| | | | | | | | | |
|--|-----------------------------------|--|------|---|---------------------|--|---------------------------|------------------|
| SEE SHEET 1 EC NO: UCP2010-1255 DRWN: JMENDOZA 2009/11/17 CHKD: 2009/11/23 APPR: JBINGHAM 2009/11/23 | QUALITY SYMBOLS ▽ - 0 ∇ - 0 | GENERAL TOLERANCES (UNLESS SPECIFIED) | | SCALE 4:1 | DESIGN UNITS METRIC | THIRD ANGLE PROJECTION | REVISE ON CAD ONLY | |
| | | mm | INCH | DIMENSION STYLE MM ONLY | | | | |
| | | 4 PLACES ±--- | ±--- | DRAWN BY SREED | DATE 2006/06/06 | TITLE SALES DRAWING FOR VERTICAL GANGED RF CONNECTOR, LONG TAILS | | |
| | | 3 PLACES ±--- | ±--- | CHECKED BY JBINGHAM | DATE 2006/06/06 | | | |
| 2 PLACES ±0.13 | ±--- | DRAFT WHERE APPLICABLE MUST REMAIN WITHIN DIMENSIONS | | APPROVED BY JBINGHAM | DATE 2009/11/23 | MATERIAL NO. SEE CHART | DOCUMENT NO. SD-74712-003 | SHEET NO. 3 OF 5 |
| 1 PLACE ±0.25 | ±--- | | | THIS DRAWING CONTAINS INFORMATION THAT IS PROPRIETARY TO MOLEX INCORPORATED AND SHOULD NOT BE USED WITHOUT WRITTEN PERMISSION | | | | |



RECOMMENDED PCB LAYOUT
FOR THE 8 POSITION CONNECTOR
COMPONENT SIDE
MAX. BOARD THICKNESS: 4.50



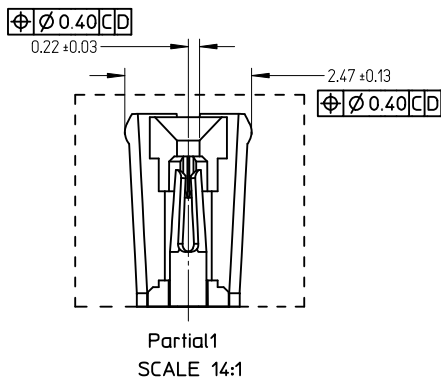
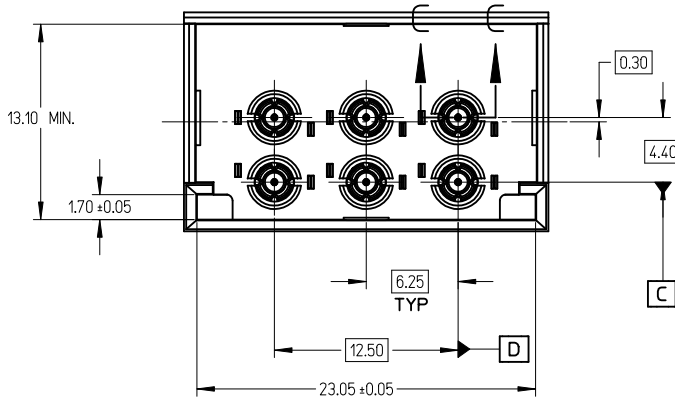
RECOMMENDED PCB LAYOUT
FOR THE 10 POSITION CONNECTOR
COMPONENT SIDE
MAX. BOARD THICKNESS: 4.50



RECOMMENDED PCB LAYOUT
FOR THE 6 POSITION CONNECTOR
COMPONENT SIDE
MAX. BOARD THICKNESS: 4.50

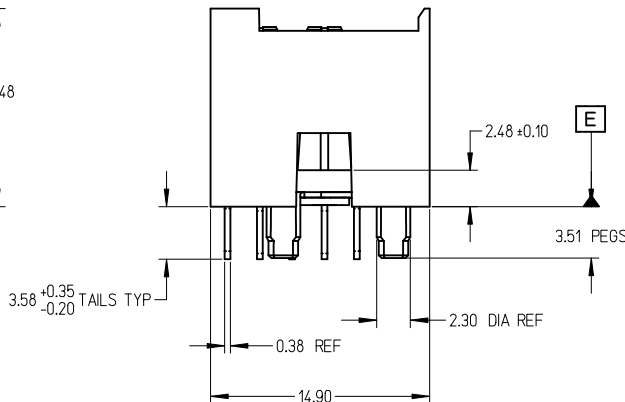
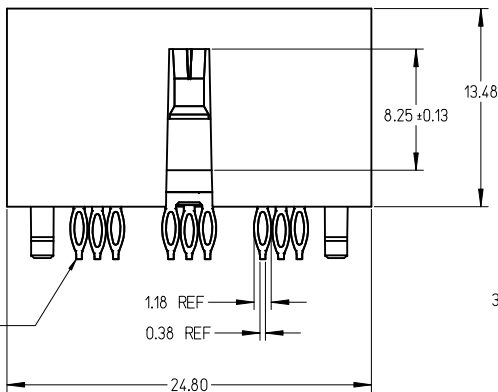
NOTE: DEPENDING ON CONNECTOR PART NUMBER, ALL HOLES MAY NOT BE REQUIRED. REFER TO SHEETS 1-3 FOR LOADED TERMINAL POSITIONS. REFER TO TERMINAL POSITIONS SPECIFIED ON EACH PCB LAYOUT TO DETERMINE WHICH HOLES ARE NEEDED.

| | | | | | | | | |
|--|-----------------|---------------------------------------|-------------------------------|--------------|---|------------------------|--|--|
| SEE SHEET 1 EC NO: UCP2010-1255 DRWN: JMENDOZA 2009/11/17 CHKD: 2009/11/23 APPR: JBINGHAM 2009/11/23 | QUALITY SYMBOLS | GENERAL TOLERANCES (UNLESS SPECIFIED) | | SCALE 4:1 | DESIGN UNITS METRIC | THIRD ANGLE PROJECTION | REVISE ON CAD ONLY | |
| | ▼ - 0 ∇ - 0 | | mm | INCH | DIMENSION STYLE MM ONLY | | TITLE | |
| | | 4 PLACES | ±--- | ±--- | DRAWN BY SREED | DATE 2006/06/06 | SALES DRAWING FOR VERTICAL GANGED RF CONNECTOR, LONG TAILS | |
| | | 3 PLACES | ±--- | ±--- | CHECKED BY JBINGHAM | DATE 2006/06/06 | | |
| 2 PLACES | ±0.13 | ±--- | APPROVED BY DATE | | MOLEX MOLEX INCORPORATED | | | |
| 1 PLACE | ±0.25 | ±--- | DRAFT WHERE APPLICABLE | | MATERIAL NO. DOCUMENT NO. SHEET NO. SEE CHARTS SD-74712-003 4 OF 5 | | | |
| | | ANGULAR ± 2 ° | MUST REMAIN WITHIN DIMENSIONS | | THIS DRAWING CONTAINS INFORMATION THAT IS PROPRIETARY TO MOLEX INCORPORATED AND SHOULD NOT BE USED WITHOUT WRITTEN PERMISSION | | | |



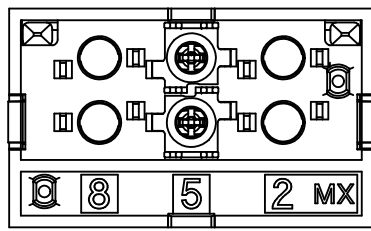
| 6 POSITION CONNECTOR | | | |
|----------------------|--------------------------------|---------------------------|-------------------------|
| MATERIAL NUMBER | POSITION OF LOADED TERMINAL(S) | OPTIONAL PACKAGING HEADER | PACKAGING SPECIFICATION |
| 74712-1008 | 2, 8 | NO | PK-74712-101 |
| 74712-1009 | 5 | NO | |

- NOTES:
- MATERIAL:
 - HOUSING: GLASS FILLED THERMO PLASTIC, 94V-0
 - INSULATOR: GLASS FILLED THERMO PLASTIC, 94V-0
 - TERMINALS AND GROUND: TIN BRASS
 - OUTER GROUND CONTACT: PHOSPHOR BRONZE
 - PLATING:
 - TERMINALS:
 - SELECTIVE 0.76 MICRONS MIN. GOLD IN CONTACT AREA
 - SELECTIVE 0.88 MICRONS MIN. TIN BOTH OVER
 - 1.27 MICRONS MIN. NICKEL UNDERPLATE
 - GROUNDS:
 - 0.88 MICRONS MIN. TIN OVERALL OVER
 - 1.27 MICRONS MIN. NICKEL UNDERPLATE
 - OUTER GROUND CONTACT:
 - 0.76 MICRONS MIN. GOLD OVERALL OVER
 - 1.27 MICRONS MIN. NICKEL UNDERPLATE
 - REFER TO PRODUCT SPEC.: PS-74854-001 FOR ELECTRICAL, MECHANICAL AND ENVIRONMENTAL REQUIREMENTS.
 - REFER TO PACKAGING SPEC STATED IN CHARTS FOR DETAILS OF THE PACKAGING REQUIREMENTS.
 - DATE CODE MARKING TO BE LOCATED ANYWHERE ON PLASTIC HOUSING. FIRST TWO DIGITS = WEEK NUMBER. LAST TWO DIGITS = YEAR.
 - THIS PART CONFORMS TO CLASS B REQUIREMENTS OF MOLEX COSMETIC SPECIFICATION PS-45499-002.



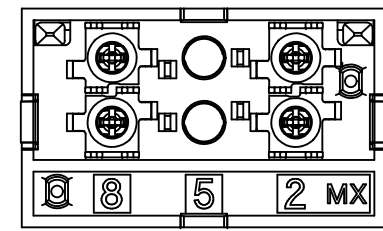
6 POS. CONNECTOR SHOWN

MATERIAL NUMBER: 74712-1009



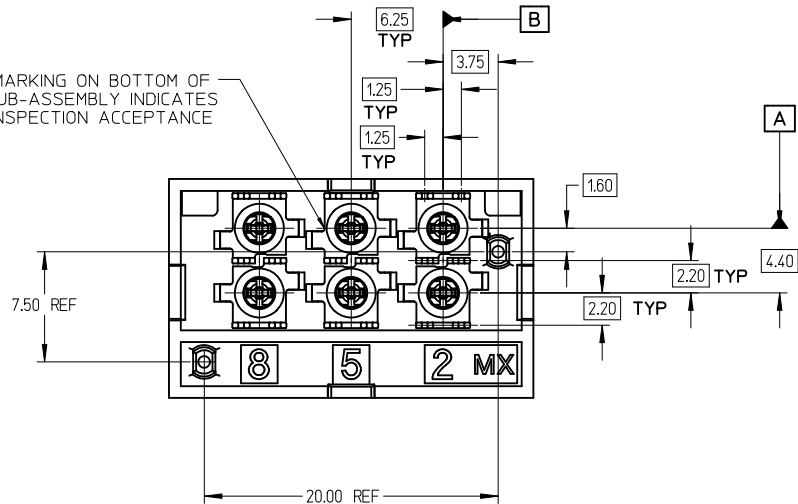
TERMINAL POSITION LOADED: 5

MATERIAL NUMBER: 74712-1008



TERMINAL POSITIONS LOADED: 2, 8

MARKING ON BOTTOM OF SUB-ASSEMBLY INDICATES INSPECTION ACCEPTANCE



| SEE SHEET 1 EC NO: UCP2010-1255 DRAWN: J MENDOZA CHKD: 2009/11/23 APPR: J BINGHAM 2009/11/23 | QUALITY SYMBOLS | GENERAL TOLERANCES (UNLESS SPECIFIED) | DIMENSION STYLE | SCALE | DESIGN UNITS | THIRD ANGLE PROJECTION | | | | | | | | | | | | | | | | | | |
|---|--------------------------|--|---|-------|--------------|------------------------|-------|-------|----------|-------|-------|----------|--------|-------|---------|--------|-------|--------------|--|--|---------|-----|--------|--|
| | $\nabla=0$ $\nabla=0$ | <table border="1"> <thead> <tr> <th></th> <th>mm</th> <th>INCH</th> </tr> </thead> <tbody> <tr> <td>4 PLACES</td> <td>± ---</td> <td>± ---</td> </tr> <tr> <td>3 PLACES</td> <td>± ---</td> <td>± ---</td> </tr> <tr> <td>2 PLACES</td> <td>± 0.13</td> <td>± ---</td> </tr> <tr> <td>1 PLACE</td> <td>± 0.25</td> <td>± ---</td> </tr> <tr> <td colspan="3">ANGULAR ± 2°</td> </tr> </tbody> </table> | | mm | INCH | 4 PLACES | ± --- | ± --- | 3 PLACES | ± --- | ± --- | 2 PLACES | ± 0.13 | ± --- | 1 PLACE | ± 0.25 | ± --- | ANGULAR ± 2° | | | MM ONLY | 4:1 | METRIC | |
| | | mm | INCH | | | | | | | | | | | | | | | | | | | | | |
| | 4 PLACES | ± --- | ± --- | | | | | | | | | | | | | | | | | | | | | |
| 3 PLACES | ± --- | ± --- | | | | | | | | | | | | | | | | | | | | | | |
| 2 PLACES | ± 0.13 | ± --- | | | | | | | | | | | | | | | | | | | | | | |
| 1 PLACE | ± 0.25 | ± --- | | | | | | | | | | | | | | | | | | | | | | |
| ANGULAR ± 2° | | | | | | | | | | | | | | | | | | | | | | | | |
| DESCRIPTION | DRAWN BY | DATE | TITLE | | | | | | | | | | | | | | | | | | | | | |
| | SREED | 2006/06/06 | SALES DRAWING FOR VERTICAL GANGED RF CONNECTOR, LONG TAILS | | | | | | | | | | | | | | | | | | | | | |
| | CHECKED BY | DATE | MOLEX INCORPORATED | | | | | | | | | | | | | | | | | | | | | |
| | APPROVED BY | DATE | SD-74712-003 | | | | | | | | | | | | | | | | | | | | | |
| | J BINGHAM | 2009/11/23 | SHEET NO. 5 OF 5 | | | | | | | | | | | | | | | | | | | | | |
| | MATERIAL NO. | DOCUMENT NO. | THIS DRAWING CONTAINS INFORMATION THAT IS PROPRIETARY TO MOLEX INCORPORATED AND SHOULD NOT BE USED WITHOUT WRITTEN PERMISSION | | | | | | | | | | | | | | | | | | | | | |