

**PLEASE CHECK WWW.MOLEX.COM FOR LATEST PART INFORMATION**

**Part Number:** [0747121001](#)  
**Status:** **Active**  
**Overview:** [ganged\\_rf](#)  
**Description:** 6.25mm (.246") Pitch Ganged RF Header, Vertical, 6 Circuits

**Documents:**

[Drawing \(PDF\)](#) [Product Specification PS-74854-001 \(PDF\)](#)  
[Packaging Specification \(PDF\)](#) [RoHS Certificate of Compliance \(PDF\)](#)

**Agency Certification**

CSA LR19980  
 UL E107635

**General**

Product Family Backplane Connectors  
 Series [74712](#)  
 Application Backplane  
 Comments Ports Numbered 2, 5, and 8 Loaded  
 Component Type PCB Header  
 Overview [ganged\\_rf](#)  
 Product Name Ganged RF  
 Style N/A

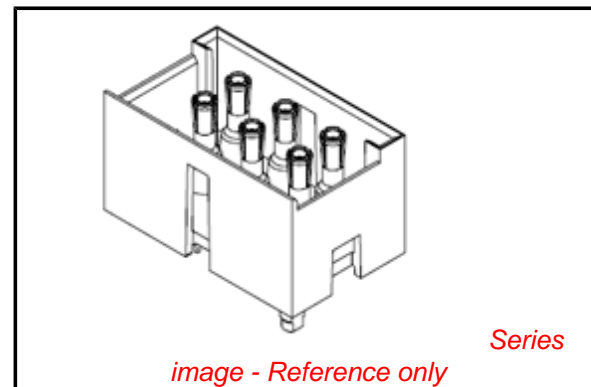
**Physical**

Circuits (Loaded) 6  
 Circuits (maximum) 6  
 Circuits Detail 6  
 Color - Resin Black, Natural  
 Durability (mating cycles max) 500  
 First Mate / Last Break No  
 Flammability 94V-0  
 Guide to Mating Part No  
 Keying to Mating Part None  
 Material - Metal Copper  
 Material - Resin High Temperature Thermoplastic, Polyester  
 Number of Columns 3  
 Number of Pairs N/A  
 Number of Rows 2  
 Orientation Vertical  
 PCB Retention None  
 PCB Thickness Recommended (in) 0.125 In  
 PCB Thickness Recommended (mm) 3.20 mm  
 Packaging Type Tray  
 Pitch - Mating Interface (in) 0.246 In  
 Pitch - Mating Interface (mm) 6.25 mm  
 Polarized to PCB Yes  
 Surface Mount Compatible (SMC) Yes  
 Temperature Range - Operating -40°C to +85°C  
 Termination Interface: Style Through Hole - Compliant Pin

**Electrical**

Current - Maximum per Contact 1A  
 Data Rate 3.0 Gbps  
 Voltage - Maximum 50V AC

**Material Info**



**EU RoHS**

**RoHS Compliant by Exemption**  
**REACH SVHC**  
 Not Reviewed  
**Halogen-Free Status**  
**Not Reviewed**

**China RoHS**



**Need more information on product environmental compliance?**

Email [productcompliance@molex.com](mailto:productcompliance@molex.com)  
 For a multiple part number RoHS Certificate of Compliance, [click here](#)

Please visit the [Contact Us](#) section for any non-product compliance questions.

**Search Parts in this Series**

[74712Series](#)

**Mates With**

[74642 Ganged RF Receptacle](#)

**Reference - Drawing Numbers**

Packaging Specification

Product Specification

Sales Drawing

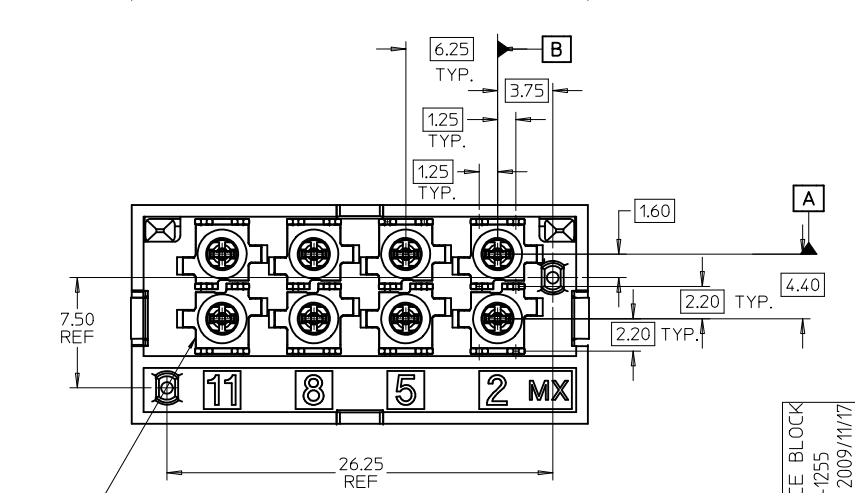
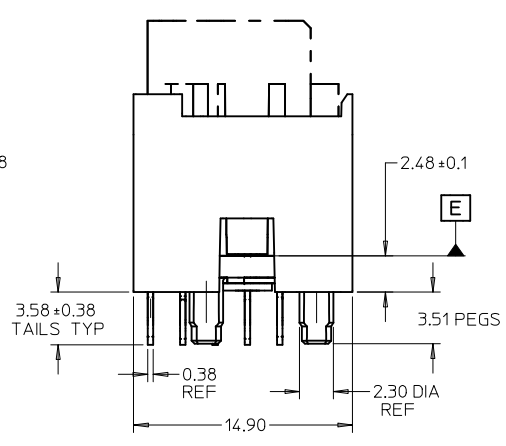
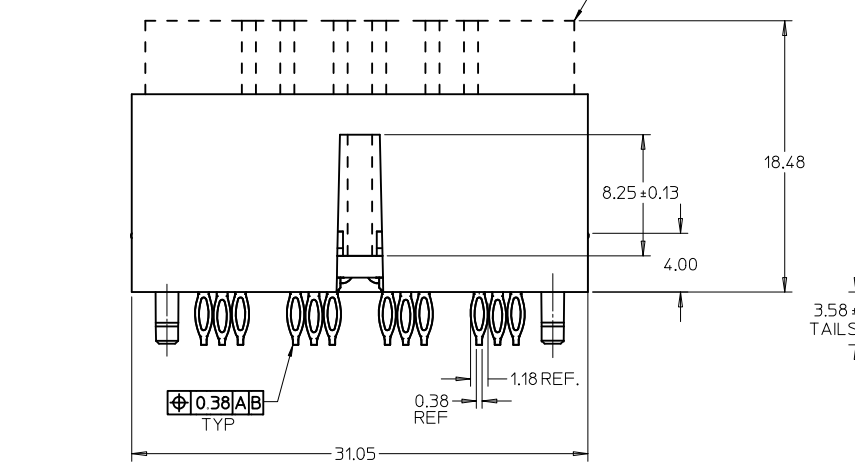
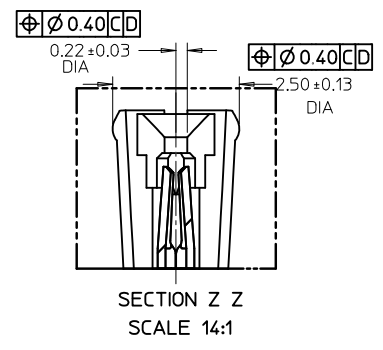
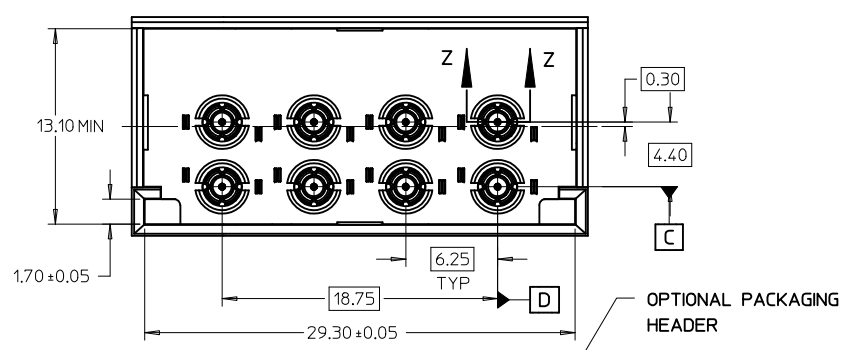
PK-74712-101

PS-74854-001

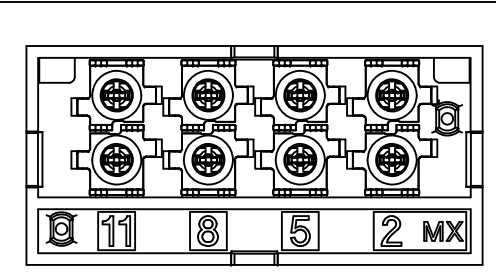
SD-74712-003

This document was generated on 05/15/2010

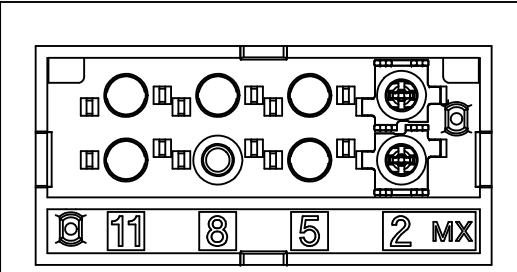
**PLEASE CHECK [WWW.MOLEX.COM](http://WWW.MOLEX.COM) FOR LATEST PART INFORMATION**



CONTACT LOADING OPTIONS FOR 8 POS CONNECTORS



MAT'L NO. 747120001/0003  
POSITION 2,5,8 & 11 LOADED



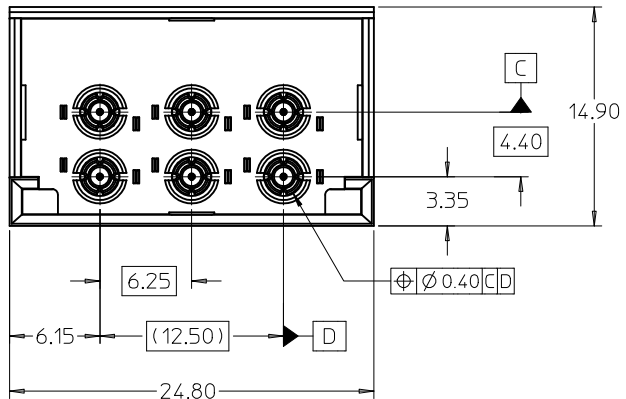
MAT'L NO. 747120002  
POSITION 2 LOADED

MATERIAL NO.	TERMINAL LOADING BY POSITION	74712 PACKAGING
74712-0001	2, 5, 8, 11	PK-74712-001
74712-0002	2	PK-74712-001
74712-0003	2, 5, 8, 11	PK-74712-002

- NOTES:
- MATERIAL:
    - HOUSING: GLASS FILLED THERMO PLASTIC, 94V-0
    - INSULATOR: GLASS FILLED THERMO PLASTIC, 94V-0
    - PACKAGING HEADER: GLASS FILLED THERMO PLASTIC, 94V-0
    - TERMINALS AND GROUND: TIN BRASS
    - OUTER GROUND CONTACT: PHOSPHOR BRONZE
  - PLATING:
    - TERMINALS:
      - SELECTIVE 0.76 MICRONS MIN. GOLD IN CONTACT AREA
      - SELECTIVE 0.88 MICRONS MIN. TIN BOTH OVER
      - 1.27 MICRONS MIN. NICKEL UNDERPLATE
    - GROUNDS:
      - 0.88 MICRONS MIN. TIN OVERALL OVER
      - 1.27 MICRONS MIN. NICKEL UNDERPLATE
    - OUTER GROUND CONTACT:
      - 0.76 MICRONS MIN. GOLD OVERALL OVER
      - 1.27 MICRONS MIN. NICKEL UNDERPLATE
  - REFER TO PRODUCT SPEC.: PS-74854-001 FOR ELECTRICAL, MECHANICAL AND ENVIRONMENTAL REQUIREMENTS.
  - REFER TO PACKAGING SPEC STATED IN CHARTS FOR DETAILS OF THE PACKAGING REQUIREMENTS.
  - DATE CODE MARKING TO BE LOCATED ANYWHERE ON PLASTIC HOUSING. FIRST TWO DIGITS = WEEK NUMBER. LAST TWO DIGITS = YEAR.
  - THIS PART CONFORMS TO CLASS B REQUIREMENTS OF MOLEX COSMETIC SPECIFICATION PS-45499-002.

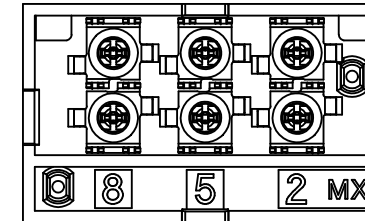
8 POS. CONNECTOR SHOWN

ADD TOLERANCE BLOCK EC NO: UCP2010-1255 DRWN: JENDOZA 2009/11/17 CHKD: 2009/11/23 APPR: BINGHAM 2009/11/23	QUALITY SYMBOLS	GENERAL TOLERANCES (UNLESS SPECIFIED)	SCALE 4:1	DESIGN UNITS METRIC	THIRD ANGLE PROJECTION	REVISE ON CAD ONLY			
	▽ 0 ∇ 0	4 PLACES ± --- ± --- 3 PLACES ± --- ± --- 2 PLACES ± 0.13 ± --- 1 PLACE ± 0.25 ± ---	mm INCH DIMENSION STYLE MM ONLY	DRAWN BY DATE SREED 2006/06/06	DATE 2006/06/06	TITLE SALES DRAWING FOR VERTICAL GANGED RF CONNECTOR, LONG TAILS			
							APPROVED BY DATE JBINGHAM 2009/11/23	MATERIAL NO. DOCUMENT NO. SEE CHART SD-74712-003	SHEET NO. 1 OF 5
							DRAFT WHERE APPLICABLE MUST REMAIN WITHIN DIMENSIONS		



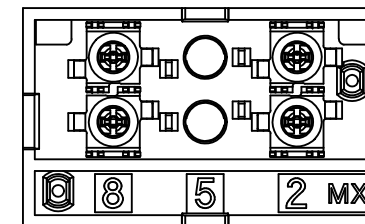
6 POSITION CONNECTOR			
MATERIAL NUMBER	POSITION OF LOADED TERMINAL(S)	OPTIONAL PACKAGING HEADER	PACKAGING SPECIFICATION
74712-1001	2, 5, 8	YES	PK-74712-101
74712-1002	2, 8	YES	
74712-1003	2	YES	
74712-1004	8	YES	PK-74712-102
74712-1007	5	YES	
74712-1005	2, 5, 8	YES	
74712-1006	2	YES	

MATERIAL NUMBER: 74712-1001/-1005



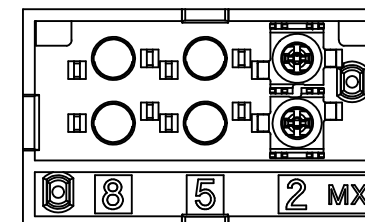
TERMINAL POSITIONS LOADED: 2, 5, 8

MATERIAL NUMBER: 74712-1002



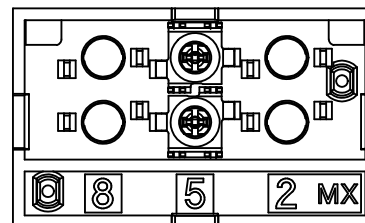
TERMINAL POSITIONS LOADED: 2, 8

MATERIAL NUMBER: 74712-1003/-1006



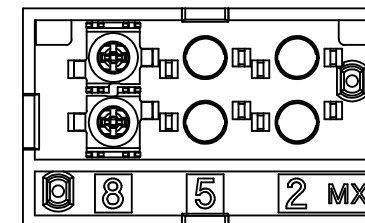
TERMINAL POSITION LOADED: 2

MATERIAL NUMBER: 74712-1007

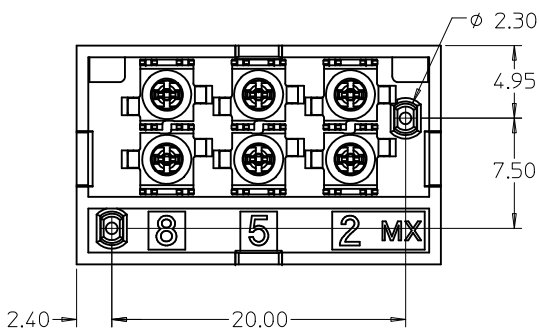
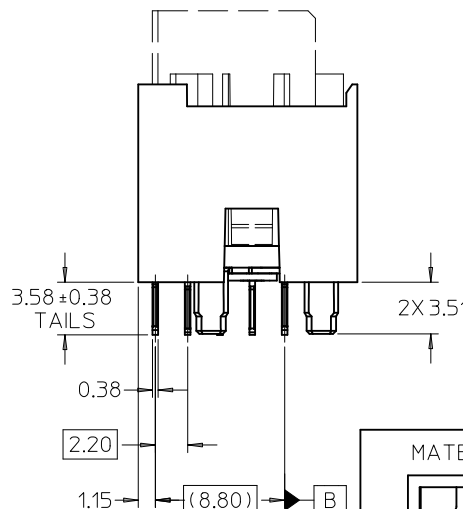
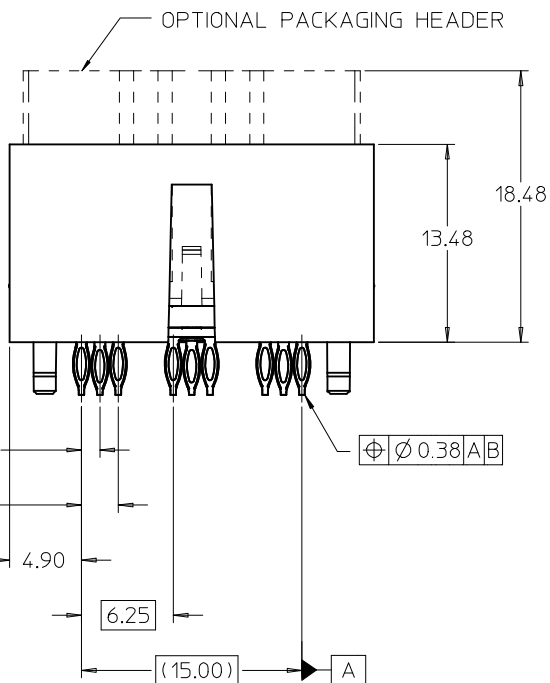


TERMINAL POSITION LOADED: 5

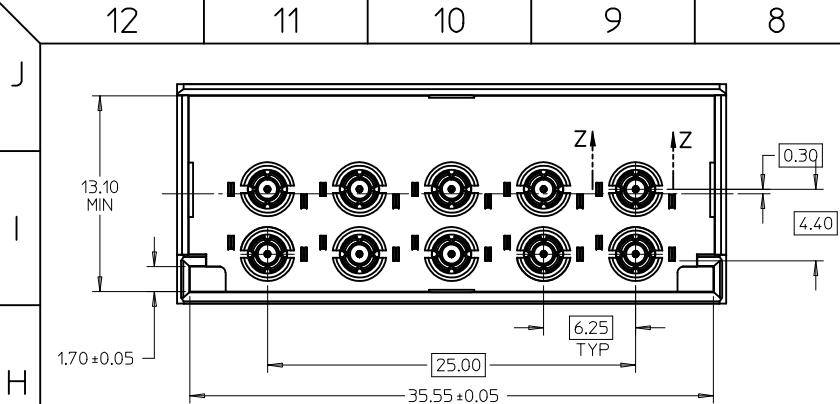
MATERIAL NUMBER: 74712-1004



TERMINAL POSITION LOADED: 8

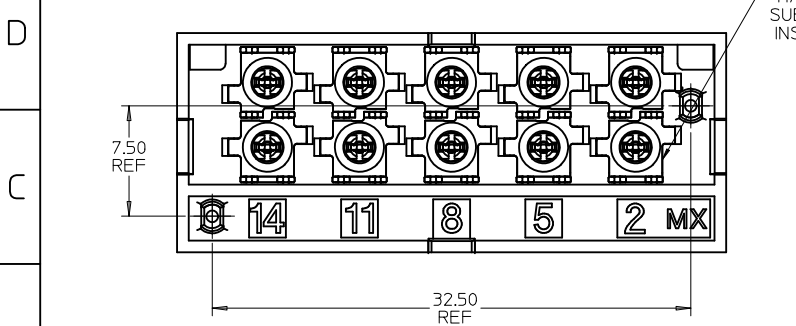
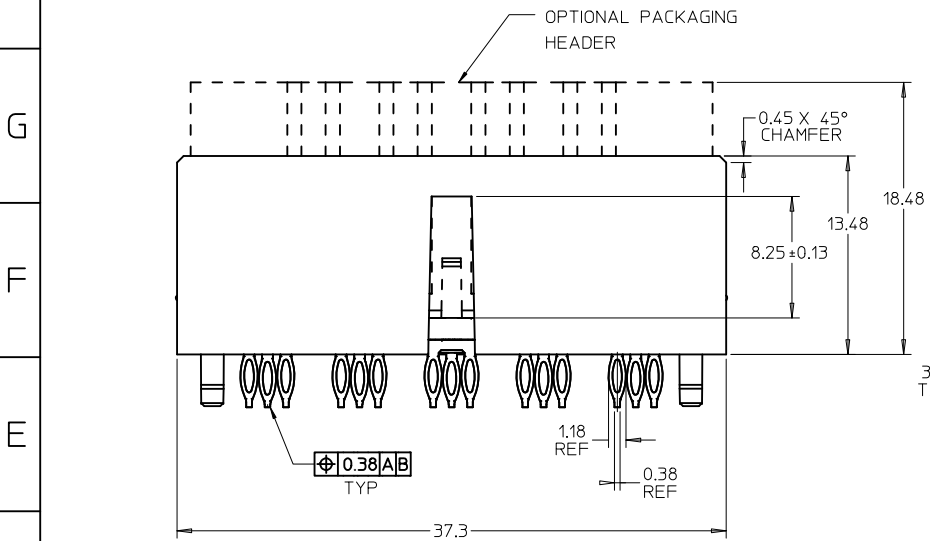


SEE SHEET 1 EC NO: UCP2010-1255 DRWN: MENDOZA CHKD: 2009/11/23 APPR: JBINGHAM 2009/11/23	QUALITY SYMBOLS ▽=0 ▽=0	GENERAL TOLERANCES (UNLESS SPECIFIED) <table border="1"> <thead> <tr> <th></th> <th>mm</th> <th>INCH</th> </tr> </thead> <tbody> <tr> <td>4 PLACES</td> <td>± 0.15</td> <td>± 0.006</td> </tr> <tr> <td>3 PLACES</td> <td>± 0.20</td> <td>± 0.008</td> </tr> <tr> <td>2 PLACES</td> <td>± 0.25</td> <td>± 0.010</td> </tr> <tr> <td>1 PLACE</td> <td>± 0.30</td> <td>± 0.012</td> </tr> </tbody> </table>		mm	INCH	4 PLACES	± 0.15	± 0.006	3 PLACES	± 0.20	± 0.008	2 PLACES	± 0.25	± 0.010	1 PLACE	± 0.30	± 0.012	DIMENSION STYLE <b>MM ONLY</b>	SCALE <b>4:1</b>	DESIGN UNITS <b>METRIC</b>	THIRD ANGLE PROJECTION
		mm	INCH																		
	4 PLACES	± 0.15	± 0.006																		
	3 PLACES	± 0.20	± 0.008																		
2 PLACES	± 0.25	± 0.010																			
1 PLACE	± 0.30	± 0.012																			
DRAWN BY SREED DATE 2006/06/06	CHECKED BY JBINGHAM DATE 2006/06/06	APPROVED BY JBINGHAM DATE 2009/11/23	TITLE <b>SALES DRAWING FOR VERTICAL GANGED RF CONNECTOR, LONG TAILS</b>	MOLEX INCORPORATED	SHEET NO. <b>2 OF 5</b>																
DRAFT WHERE APPLICABLE MUST REMAIN WITHIN DIMENSIONS	<b>SEE CHART</b>	MATERIAL NO. <b>SD-74712-003</b>	DOCUMENT NO.	MOLEX																	
THIS DRAWING CONTAINS INFORMATION THAT IS PROPRIETARY TO MOLEX INCORPORATED AND SHOULD NOT BE USED WITHOUT WRITTEN PERMISSION																					



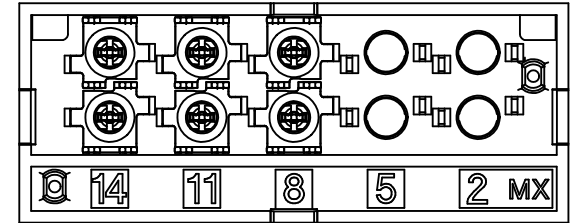
NOTE: REFER TO SHEET 1 FOR ALL DIMENSIONS.  
SECTION VIEW AND NOTES NOT SHOWN.

MATERIAL NO.	TERMINAL LOADING BY POSITION	PACKAGING
74712-3001	2, 5, 8, 11, 14	PK-74712-210
74712-3002	8, 11, 14	PK-74712-210

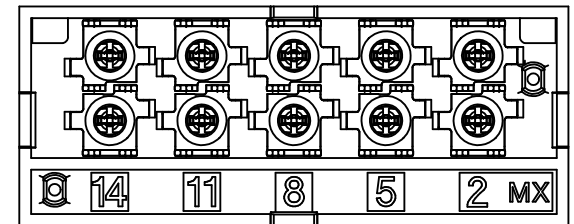


MARKING ON BOTTOM OF SUB-ASSEMBLY INDICATES INSPECTION ACCEPTANCE

CONTACT LOADING OPTIONS FOR 10 POSITION CONNECTORS



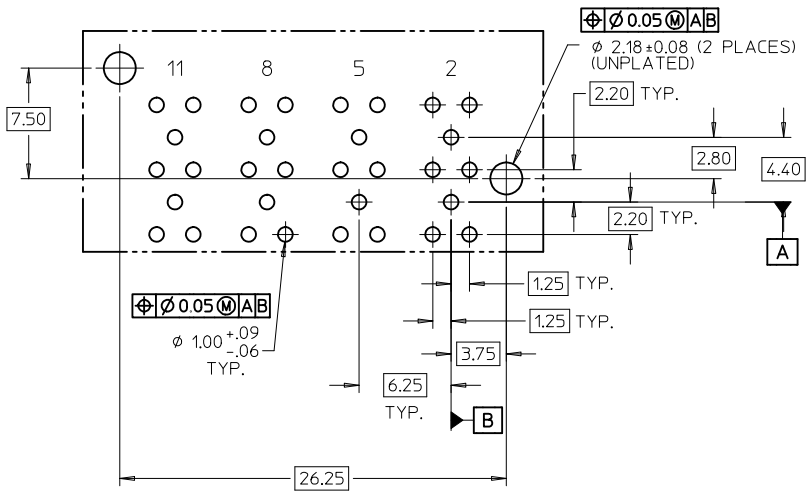
MAT'L NO. 747123002  
POSITIONS 8,11,14 LOADED



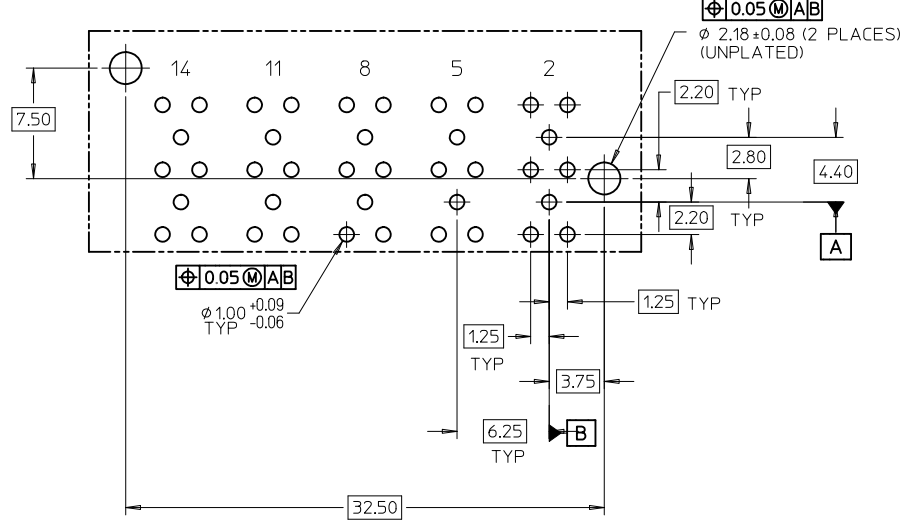
MAT'L NO. 747123001  
POSITIONS 2,5,8,11,14 LOADED

10 POSITION CONNECTOR SHOWN

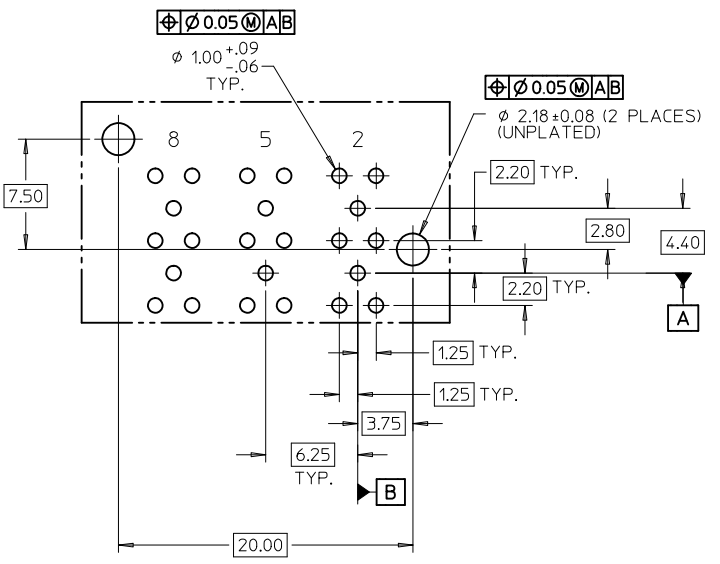
SEE SHEET 1 EC NO: UCP2010-1255 DRWN: JMENDOZA 2009/11/17 CHKD: 2009/11/23 APPR: JBINGHAM 2009/11/23	QUALITY SYMBOLS ▽ - 0 ∇ - 0	GENERAL TOLERANCES (UNLESS SPECIFIED)		SCALE 4:1	DESIGN UNITS METRIC	THIRD ANGLE PROJECTION	REVISE ON CAD ONLY	
		mm	INCH	DIMENSION STYLE MM ONLY				
		4 PLACES ±---	±---	DRAWN BY SREED	DATE 2006/06/06	TITLE SALES DRAWING FOR VERTICAL GANGED RF CONNECTOR, LONG TAILS		
		3 PLACES ±---	±---	CHECKED BY JBINGHAM	DATE 2006/06/06			
2 PLACES ±0.13	±---	DRAFT WHERE APPLICABLE MUST REMAIN WITHIN DIMENSIONS		APPROVED BY JBINGHAM		MATERIAL NO. SEE CHART	DOCUMENT NO. SD-74712-003	SHEET NO. 3 OF 5
1 PLACE ±0.25	±---			DATE 2009/11/23		MOLEX MOLEX INCORPORATED		
				ANGULAR ± 2 °		THIS DRAWING CONTAINS INFORMATION THAT IS PROPRIETARY TO MOLEX INCORPORATED AND SHOULD NOT BE USED WITHOUT WRITTEN PERMISSION		



RECOMMENDED PCB LAYOUT  
FOR THE 8 POSITION CONNECTOR  
COMPONENT SIDE  
MAX. BOARD THICKNESS: 4.50



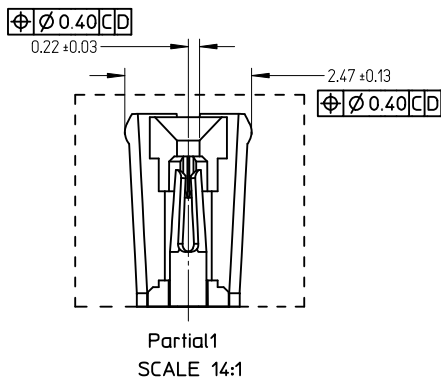
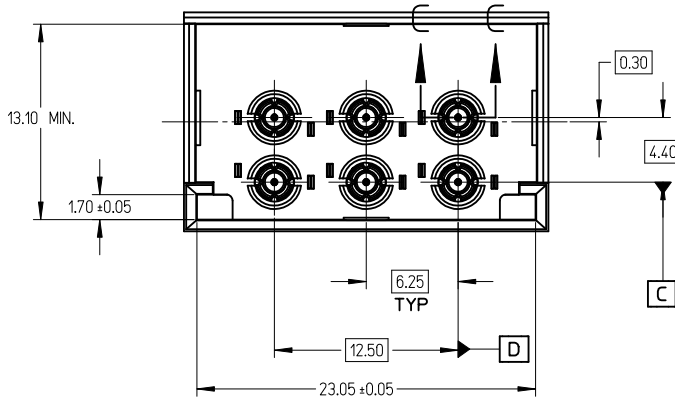
RECOMMENDED PCB LAYOUT  
FOR THE 10 POSITION CONNECTOR  
COMPONENT SIDE  
MAX. BOARD THICKNESS: 4.50



RECOMMENDED PCB LAYOUT  
FOR THE 6 POSITION CONNECTOR  
COMPONENT SIDE  
MAX. BOARD THICKNESS: 4.50

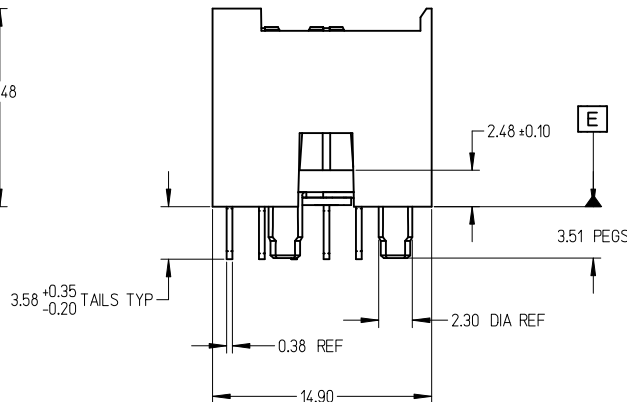
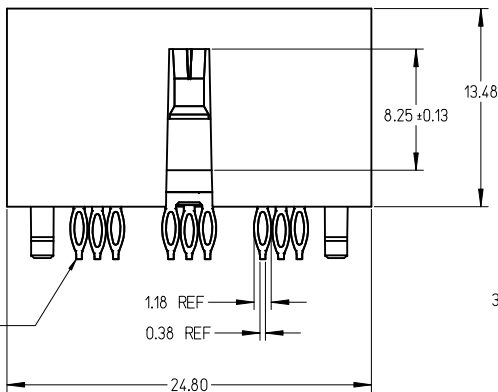
NOTE: DEPENDING ON CONNECTOR PART NUMBER, ALL HOLES MAY NOT BE REQUIRED. REFER TO SHEETS 1-3 FOR LOADED TERMINAL POSITIONS. REFER TO TERMINAL POSITIONS SPECIFIED ON EACH PCB LAYOUT TO DETERMINE WHICH HOLES ARE NEEDED.

SEE SHEET 1 EC NO: UCP2010-1255 DRWN: JMENDOZA 2009/11/17 CHKD: 2009/11/23 APPR: JBINGHAM 2009/11/23	QUALITY SYMBOLS	GENERAL TOLERANCES (UNLESS SPECIFIED)		SCALE 4:1	DESIGN UNITS METRIC	THIRD ANGLE PROJECTION	REVISE ON CAD ONLY
	▼ - 0 ∇ - 0		mm	INCH	DIMENSION STYLE MM ONLY		TITLE SALES DRAWING FOR VERTICAL GANGED RF CONNECTOR, LONG TAILS MOLEX MOLEX INCORPORATED MATERIAL NO. DOCUMENT NO. SHEET NO. SEE CHARTS SD-74712-003 4 OF 5
		4 PLACES	±---	±---	DRAWN BY	DATE	
		3 PLACES	±---	±---	SREED	2006/06/06	
2 PLACES	±0.13	±---	CHECKED BY	DATE			
	1 PLACE	±0.25	±---	JBINGHAM	2006/06/06		
		ANGULAR ± 2 °		APPROVED BY	DATE		
		DRAFT WHERE APPLICABLE		JBINGHAM	2009/11/23		
		MUST REMAIN WITHIN DIMENSIONS		THIS DRAWING CONTAINS INFORMATION THAT IS PROPRIETARY TO MOLEX INCORPORATED AND SHOULD NOT BE USED WITHOUT WRITTEN PERMISSION			

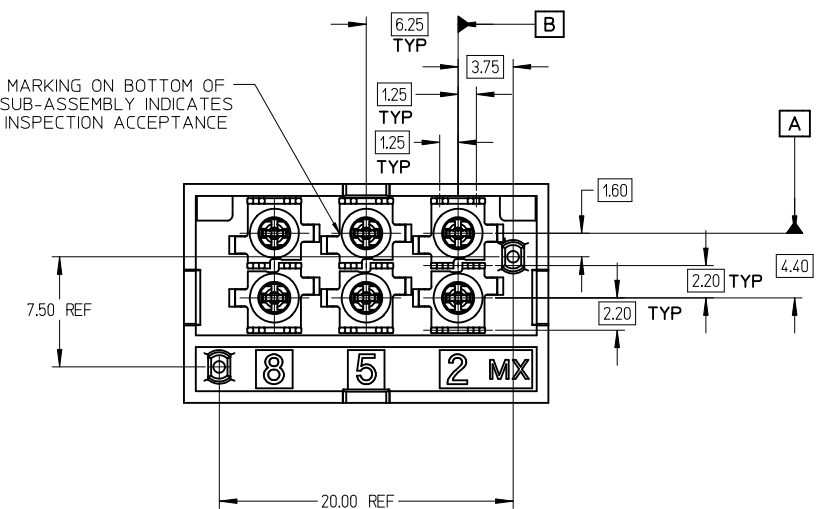
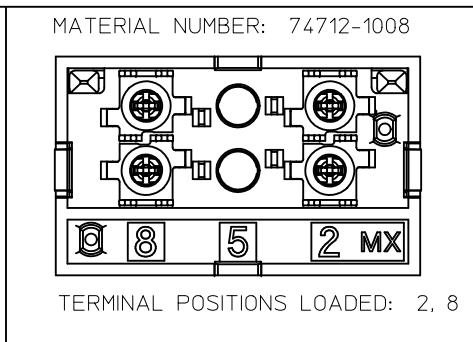
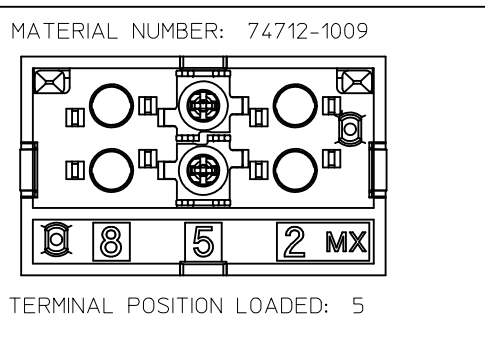


6 POSITION CONNECTOR			
MATERIAL NUMBER	POSITION OF LOADED TERMINAL(S)	OPTIONAL PACKAGING HEADER	PACKAGING SPECIFICATION
74712-1008	2, 8	NO	PK-74712-101
74712-1009	5	NO	

- NOTES:
- MATERIAL:
    - HOUSING: GLASS FILLED THERMO PLASTIC, 94V-0
    - INSULATOR: GLASS FILLED THERMO PLASTIC, 94V-0
    - TERMINALS AND GROUND: TIN BRASS
    - OUTER GROUND CONTACT: PHOSPHOR BRONZE
  - PLATING:
    - TERMINALS:
      - SELECTIVE 0.76 MICRONS MIN. GOLD IN CONTACT AREA
      - SELECTIVE 0.88 MICRONS MIN. TIN BOTH OVER
      - 1.27 MICRONS MIN. NICKEL UNDERPLATE
    - GROUNDS:
      - 0.88 MICRONS MIN. TIN OVERALL OVER
      - 1.27 MICRONS MIN. NICKEL UNDERPLATE
    - OUTER GROUND CONTACT:
      - 0.76 MICRONS MIN. GOLD OVERALL OVER
      - 1.27 MICRONS MIN. NICKEL UNDERPLATE
  - REFER TO PRODUCT SPEC.: PS-74854-001 FOR ELECTRICAL, MECHANICAL AND ENVIRONMENTAL REQUIREMENTS.
  - REFER TO PACKAGING SPEC STATED IN CHARTS FOR DETAILS OF THE PACKAGING REQUIREMENTS.
  - DATE CODE MARKING TO BE LOCATED ANYWHERE ON PLASTIC HOUSING. FIRST TWO DIGITS = WEEK NUMBER. LAST TWO DIGITS = YEAR.
  - THIS PART CONFORMS TO CLASS B REQUIREMENTS OF MOLEX CONNECTOR SPECIFICATION PS-45499-002.



6 POS. CONNECTOR SHOWN



SEE SHEET 1 EC NO: UCP2010-1255 DRAWN: J MENDOZA 2009/11/17 CHKD: 2009/11/23 APPR: JBINGHAM 2009/11/23	QUALITY SYMBOLS	GENERAL TOLERANCES (UNLESS SPECIFIED)	DIMENSION STYLE	SCALE	DESIGN UNITS	THIRD ANGLE PROJECTION
	$\nabla=0$ $\nabla=0$	mm INCH 4 PLACES ± --- ± --- 3 PLACES ± --- ± --- 2 PLACES ± 0.13 ± --- 1 PLACE ± 0.25 ± --- ANGULAR ± 2°	MM ONLY	4:1	METRIC	
		DRAFT WHERE APPLICABLE MUST REMAIN WITHIN DIMENSIONS	DRAWN BY DATE SREED 2006/06/06 CHECKED BY DATE JBINGHAM 2006/06/06 APPROVED BY DATE JBINGHAM 2009/11/23	TITLE SALES DRAWING FOR VERTICAL GANGED RF CONNECTOR, LONG TAILS		
			MATERIAL NO. SD-74712-003	MOLEX INCORPORATED DOCUMENT NO.		