

LOW VOLTAGE VIDEO AMPLIFIER WITH LPF

■GENERAL DESCRIPTION

The **NJM2561A** is a low voltage single video amplifier with low pass filter.

The **NJM2561A** features low power and small package. It is suitable for any video application.

■PACKAGE OUTLINE

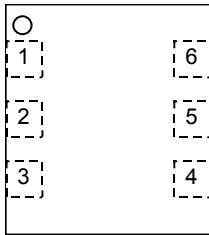


NJM2561AKG1

■FEATURES

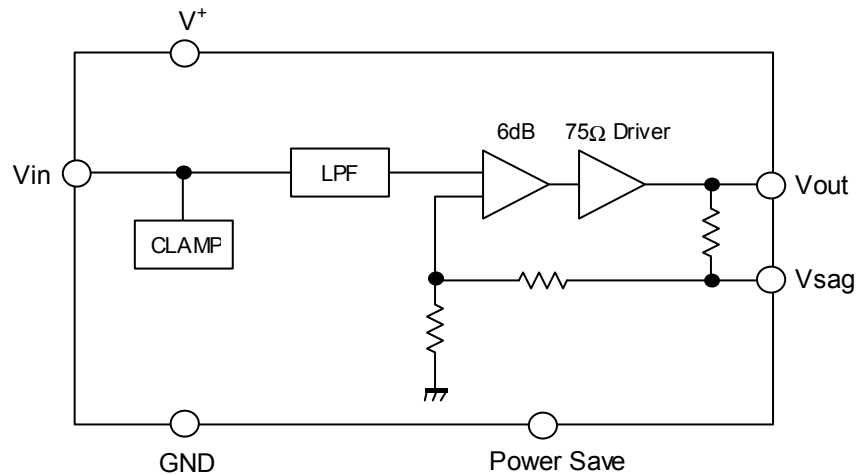
- Operating Voltage 2.6 to 5.5V
- 6th Order LPF -33dB at 19MHz typ.
- 6dB Amplifier
- 75Ω Driver Circuit
- Power Save Circuit
- Bipolar Technology
- Package Outline ESON6 (1.6 x 1.6 x 0.4 mm)

■PIN CONFIGURATION



1. Vsag
2. GND
3. Power Save
4. V+
5. Vout
6. Vin

■BLOCK DIAGRAM



■ABSOLUTE MAXIMUM RATINGS (Ta=25°C)

PARAMETER	SYMBOL	RATINGS	UNIT
Supply Voltage	V ⁺	7.0	V
Power Dissipation	P _D	TBD ^{Note1}	mW
Operating Temperature Range	Topr	-40 to +85	°C
Storage Temperature Range	Tstg	-40 to +125	°C

(Note1) At on a board of EIA/JEDEC specification. (101.5 x 114.5 x 1.6mm 2 layers, FR-4)

■ RECOMMENDED OPEARATING CONDITION (Ta=25°C)

PARAMETER	SYMBOL	TEST CONDITION	MIN.	TYP.	MAX.	UNIT
Operating Voltage	Vopr		2.6	3.0	5.5	V

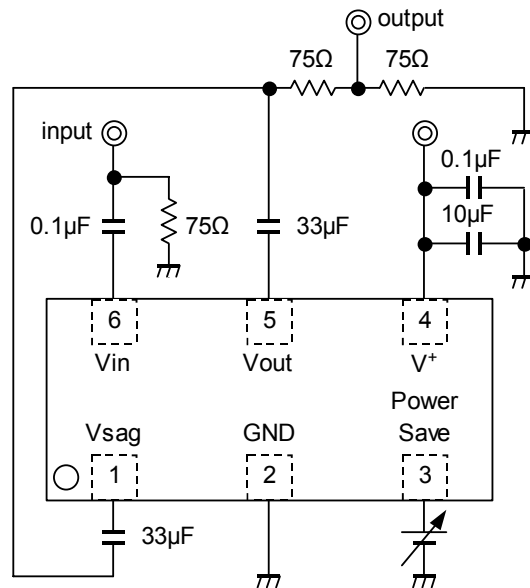
■ELECTRICAL CHARACTERISTICS (V⁺=3.0V,R_L=150Ω,Ta=25°C)

PARAMETER	SYMBOL	TEST CONDITION	MIN.	TYP.	MAX.	UNIT
Operating Current	I _{CC}	No Signal	-	8.0	12.0	mA
Operating Current at Power Save	I _{save}	No Signal, Power Save Mode	-	30	50	μA
Maximum Output Voltage Swing	V _{om}	f=100kHz, Sine Signal, THD=1%	2.2	2.5	-	Vp-p
Voltage Gain	G _v	V _{in} =100kHz, 1.0Vp-p, Sine Signal	6.1	6.5	6.9	dB
Low Pass Filter Characteristic	G _{fy} 4.5M	V _{in} =4.5MHz/100kHz, 1.0Vp-p	-0.6	-0.1	0.4	dB
	G _{fy} 19M	V _{in} =19MHz/100kHz, 1.0Vp-p	-	-33	-23	
Differential Gain	DG	V _{in} =1.0Vp-p, 10step Video Signal	-	0.5	-	%
Differential Phase	DP	V _{in} =1.0Vp-p, 10step Video Signal	-	0.5	-	deg
S/N Ratio	SN _v	V _{in} =1.0Vp-p, R _L =75Ω 100% White Video Signal, f= 100kHz to 6MHz	-	65	-	dB
2nd. Distortion	H _v	V _{in} =1.0Vp-p, 3.58MHz, Sine Signal, R _L =75Ω	-	-50	-	dB
SW Change Voltage High Level	V _{thPH}	Active	1.8	-	V ⁺	V
SW Change Voltage Low Level	V _{thPL}	Non-active	0	-	0.3	

■CONTROL TERMINAL

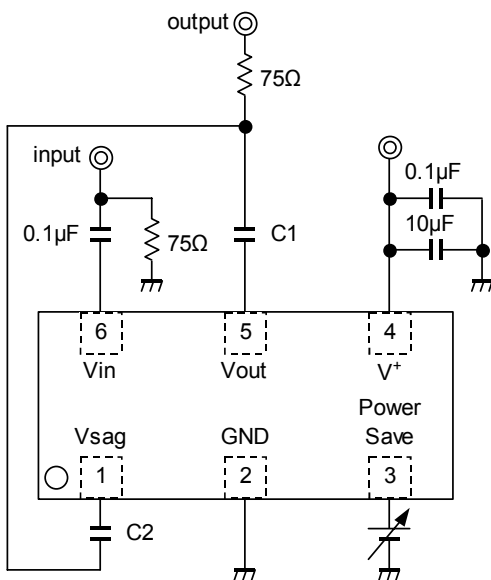
PARAMETER	STATUS	NOTE
Power Save	H	Power Save: OFF(Active)
	L	Power Save: ON (Mute)
	OPEN	Power Save: ON (Mute)

TEST CIRCUIT

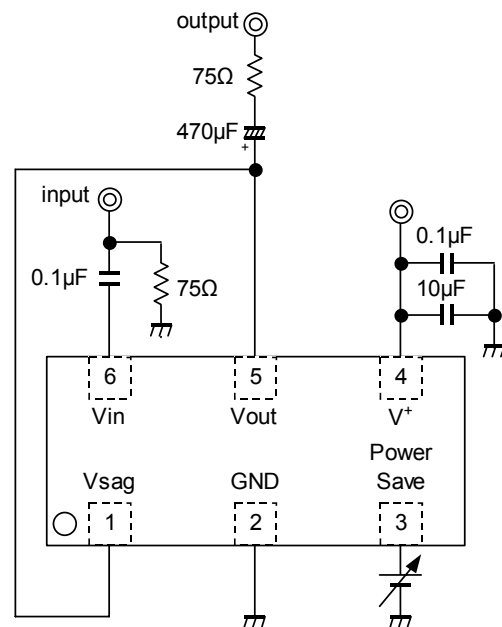


APPLICATION CIRCUIT

(1) Standard circuit



(2) SAG correction unused circuit



INSTRUCTIONS AND DIRECTIONS FOR USE

(1) Standard circuit

The SAG correction circuit reduces output coupling capacitor values. However, this circuit may cause to SAG deterioration, and lose synchronization by luminance fluctuation. Checking the waveform containing a lot of low frequency components like a bounce waveform (Worst condition waveform of SAG). Refer to Figure 1 and Figure 2.

(2) SAG correction unused circuit

To stabilize the synchronized signal, we recommend this circuit. Connect the coupling capacitor after connecting the Vout pin and Vsag pin. The recommended value is 470μF or more. Refer to Figure 3 and Figure 4.

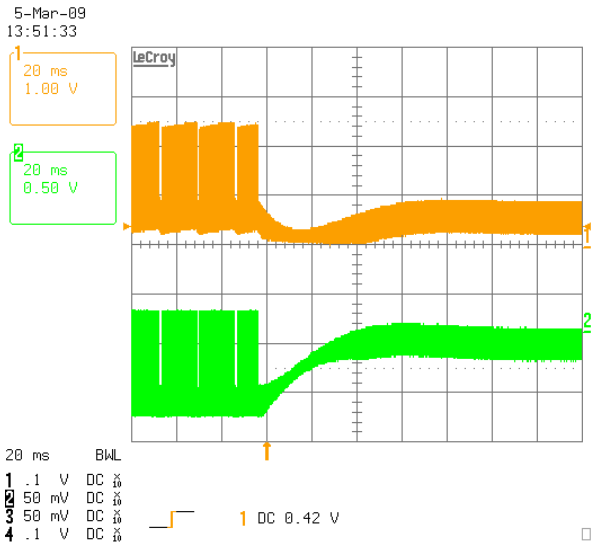


Figure 1
C1: 100μF, C2: 22μF
Input Signal: 1Vp-p, White → Black Waveform
Orange: Vout Pin Waveform
Green: waveform after output capacitor

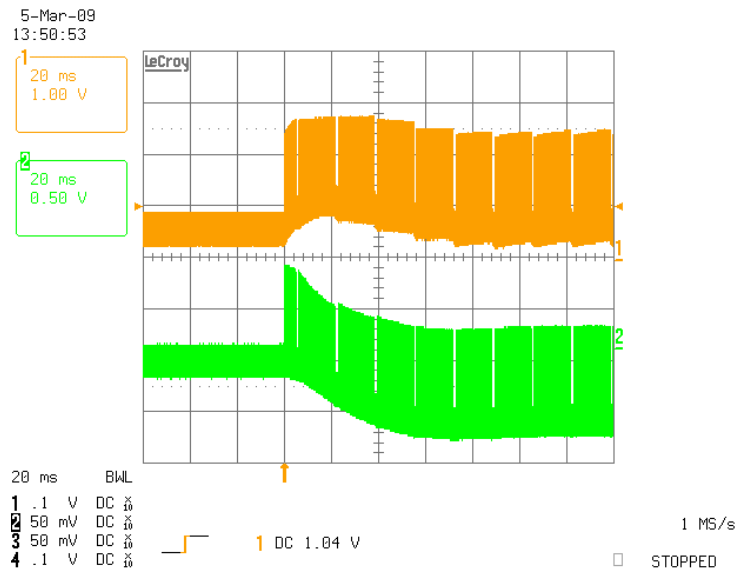


Figure 2
C1: 100μF, C2: 22μF
Input Signal: 1Vp-p, Black → White Waveform
Orange: Vout Pin Waveform
Green: waveform after output capacitor

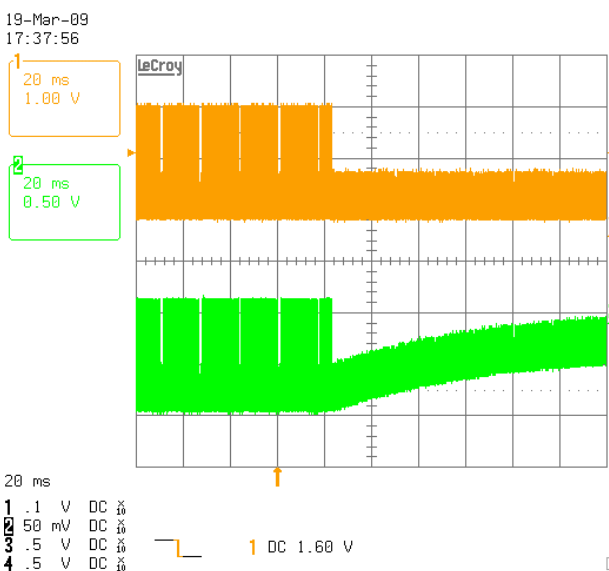


Figure 3
Output coupling capacitor:470μF
Input Signal: 1Vp-p, White → Black Waveform
Orange: Vout Pin Waveform
Green: waveform after output capacitor

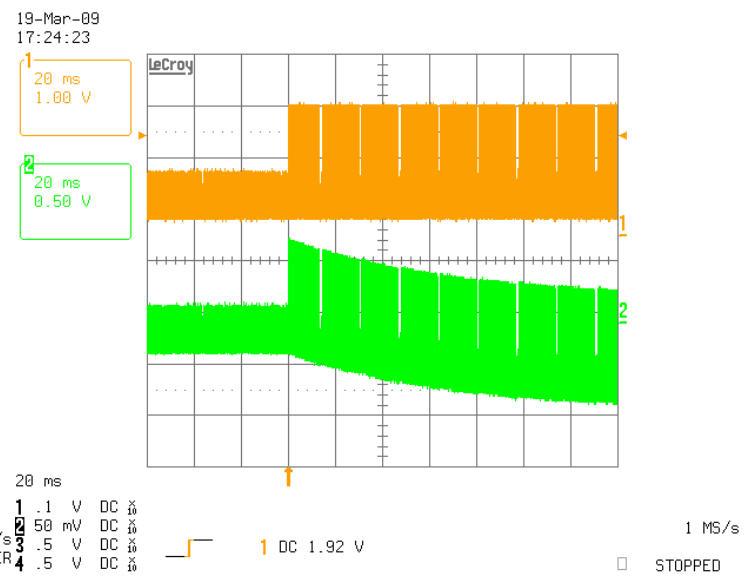


Figure 4
Output coupling capacitor:470μF
Input Signal: 1Vp-p, Black → White Waveform
Orange: Vout Pin Waveform
Green: waveform after output capacitor

[CAUTION]

The specifications on this databook are only given for information, without any guarantee as regards either mistakes or omissions. The application circuits in this databook are described only to show representative usages of the product and not intended for the guarantee or permission of any right including the industrial rights.