

Quad Input Redundant IDCS Clock Generator

The MPC9894 is a differential input and output, PLL-based Intelligent Dynamic Clock Switch (IDCS) and clock generator specifically designed for redundant clock distribution systems. The device receives up to four LVPECL clock signals and generates eight phase-aligned output clocks. The MPC9894 is able to detect failing clock signals and to dynamically switch to a redundant clock signal. The switch from the failing clock to the redundant clock occurs without interruption of the output clock signal (output clock slews to alignment). The phase bump typically caused by a clock failure is eliminated. The device offers eight low-skew clock outputs organized into four output banks, each configurable to support the different clock frequencies. The extended temperature range of the MPC9894 supports telecommunication and networking requirements.

Features

- 8 differential LVPECL output pairs
- Quad-redundancy reference clock inputs
- IDCS-on-chip intelligent dynamic clock switch
- Smooth output phase transition during clock failover switch/*
- Automatically detects clock failures
- Clock activity monitor
- Clock qualifier inputs
- Manual clock select and automatic switch modes
- 21.25 – 340 MHz output frequency range
- Specified frequency and phase slew rate on clock switch
- LVCMOS compatible control inputs and outputs
- External feedback enables zero-delay configurations
- Output enable/disable and static test mode (PLL bypass)
- Low-skew characteristics: maximum 50 ps⁽¹⁾ output-to-output
- I²C interface for device configuration
- Low cycle-to-cycle and period jitter
- IEEE 1149.1 JTAG Interface
- 100-ball MAPBGA package
- Supports 2.5 V or 3.3 V supplies with 2.5 V and 3.3 V I/O
- Junction temperature range –40°C to +110°C

Functional Description

The MPC9894 is a quad differential redundant input clock generator. The device contains logic for clock failure detection and auto switching for clock redundant applications. The generator uses a fully integrated PLL to generate clock signals from any one of four redundant clock sources. The PLL multiplies the frequency of the input reference clock by one, two, four, eight or divides the reference clock by two or four. The frequency-multiplied clock signal drives four banks of two differential outputs. Each bank allows an individual frequency-divider configuration. All outputs are phase-aligned⁽¹⁾ to each other. Due to the external PLL feedback, the clock signals of all outputs are also phase-aligned⁽¹⁾ to the selected input reference clock, providing virtually zero-delay capability.

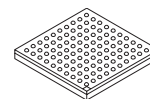
The integrated IDCS continuously monitors all four clock inputs and indicates a clock failure for each clock input. When a false clock signal is detected on the active clock, the MPC9894 switches to a redundant clock input, forcing the PLL to slowly slew to alignment and not produce any phase bumps at the outputs. The MPC9894 also provides a manual mode that allows for user-controlled clock switches.

The device is packaged in a 11x11 mm² 100-ball MAPBGA package.

1. At coincident rising edges.

MPC9894

**QUAD INPUT REDUNDANT
IDCS CLOCK GENERATOR**



**VF SUFFIX
100-LEAD MAPBGA PACKAGE
CASE 1462-01**

DEVICE DESCRIPTION

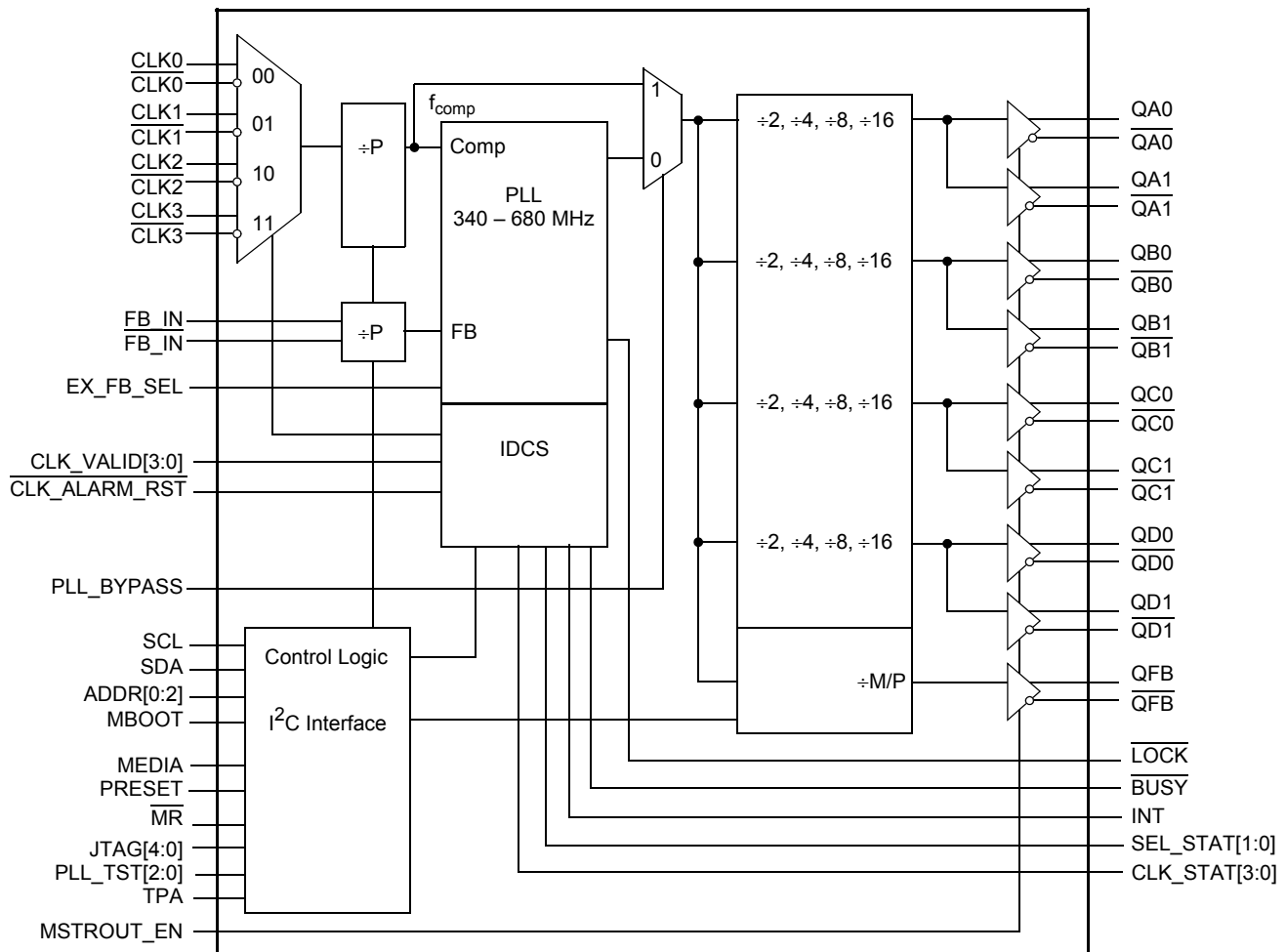


Figure 1. MPC9894 Block Diagram

Table 1. Pin Configurations

Pin	I/O	Type	Function	Supply	Active State
Clock Inputs and Outputs					
CLK0, $\overline{\text{CLK0}}$ CLK1, $\overline{\text{CLK1}}$ CLK2, $\overline{\text{CLK2}}$ CLK3, $\overline{\text{CLK3}}$	Input	LVPECL	PLL reference clock inputs (differential) (internal pulldown)	V_{DDIC}	—
FB_IN, $\overline{\text{FB_IN}}$	Input	LVPECL	PLL feedback signal input (differential). When configured for external feedback, the QFB output should be connected to FB_IN. (internal pulldown)	V_{DDIC}	—
QA[1:0], $\overline{\text{QA}}[1:0]$	Output	LVPECL	Bank A differential outputs	V_{DDAB}	—
QB[1:0], $\overline{\text{QB}}[1:0]$	Output	LVPECL	Bank B differential outputs	V_{DDAB}	—
QC[1:0], $\overline{\text{QC}}[1:0]$	Output	LVPECL	Bank C differential outputs	V_{DDCD}	—
QD[1:0], $\overline{\text{QD}}[1:0]$	Output	LVPECL	Bank D differential outputs	V_{DDCD}	—
QFB, $\overline{\text{QFB}}$	Output	LVPECL	Differential PLL feedback output. QFB must be connected to FB_IN for correct operation	V_{DDCD}	—

Table 1. Pin Configurations (Continued)

Pin	I/O	Type	Function	Supply	Active State
Control Inputs and Outputs					
EX_FB_SEL	Input	LVC MOS	Selects between external feedback and internal feedback	V _{DD}	high
CLK_VALID[3:0] ⁽¹⁾	Input	LVC MOS	Validates the clock inputs CLK0 to CLK3 (internal pullup)	V _{DD}	high
CLK_ALARM_RST	Input	LVC MOS	Reset of all four alarm status flags and clock selection status flag (internal pullup)	V _{DD}	low
PLL_BYPASS	Input	LVC MOS	Select static test mode (internal pulldown)	V _{DD}	high
MEDIA	Input	LVC MOS	Output impedance control	V _{DD}	high
MR	Input	LVC MOS	Device reset (internal pullup)	V _{DD}	low
LOCK	Output	LVC MOS	PLL lock indicator	V _{DD}	low
CLK_STAT[3:0]	Output	LVC MOS	Clock input status indicator	V _{DD}	high
SEL_STAT[1:0]	Output	LVC MOS	Reference clock selection indicator	V _{DD}	high
BUSY	Output	LVC MOS	IDCS switching activity indicator	V _{DD}	low
MBOOT	Input	LVC MOS	Activates I ² C boot sequence (internal pulldown)	V _{DD}	high
PRESET	Input	LVC MOS	Enables Preset configuration of configuration registers on release of MR (internal pulldown)	V _{DD}	high
INT	Output	OD	Indicate any status IDCS change	V _{DD}	low
MSTROUT_EN	Input	LVC MOS	Master Enable for all Outputs (internal pulldown)	V _{DD}	high
SEL_2P5V	Input	LVC MOS	Device core power supply selection for VDD and VDDA	V _{DD}	high
I²C Interface					
SCL	I/O	OD	I ² C interface control, clock	V _{DD}	—
SDA	I/O	OD	I ² C interface control, data	V _{DD}	—
ADDR[2:0]	Input	LVC MOS	I ² C interface address lines (10K pullup)	V _{DD}	high
IEEE 1149.1 and Test					
TMS	Input	LVC MOS	JTAG test mode select (10K pullup)	V _{DDIC}	—
TDI	Input	LVC MOS	JTAG test data input (10K pullup)	V _{DDIC}	—
TDO	Output	LVC MOS	JTAG test data output	V _{DDIC}	—
TCK	Input	LVC MOS	JTAG test clock	V _{DDIC}	—
TRST	Input	LVC MOS	JTAG test reset (10K pullup)	V _{DDIC}	—
PLL_TEST[2:0]	Input	LVC MOS	PLL_TEST pins (factory use only, MUST BE CONNECTED TO GND)	N/A	—
TPA	Output	LVC MOS	PLL Analog test pin (factory use only, LEAVE OPEN)	V _{DDA}	—
Power and Ground					
GND	Supply	Ground	Negative power supply	—	—
V _{DD}	Supply	—	Positive power supply for the device core, output status and control inputs. (3.3 V or 2.5 V)	—	—
V _{DDAB}	Supply	—	Supply voltage for output banks A and B (QA0 through QB1) (3.3 V or 2.5 V)	—	—
V _{DDCD}	Supply	—	Supply voltage for output banks C and D (QC0 through QD1) and QFB (3.3 V or 2.5 V)	—	—
V _{DDIC}	Supply	—	Supply voltage for differential inputs clock inputs CLK0 to CLK3 and FB_IN (3.3 V or 2.5 V)	—	—
V _{DDA}	Supply	—	Clean supply for analog portions of the PLL (This voltage is derived via a RC filter from the V _{DD} supply)	—	—

1. bit order = msb to lsb.

Table 2. Function Table

Control	Default	0	1
Control Inputs			
PLL_BYPASS	0	PLL enabled. The input to output frequency relationship is according to Table 9 if the PLL is frequency locked.	PLL bypassed and IDCS disabled. The VCO output is replaced by the reference clock signal f_{REF} . This is considered to be a test mode and clock monitoring and clock switching are disabled during this operation.
CLK_VALID[3:0]	0	The associated clock input is considered to be invalid and usable	The associated clock input is considered to be a valid usable clock input
$\overline{\text{CLK_ALARM_RST}}$	1	CLK_STAT[3:0] and SEL_STAT[1:0] flags are reset: CLK_STAT[3:0] = 0000 and SEL_STAT[1:0] = 00. CLK_ALARM_RST is a one-shot function.	CLK_STAT[3:0] and SEL_STAT[1:0] flags are active
$\overline{\text{MR}}$	1	Reset of data generators and output dividers. The MPC9894 requires reset at power-up and after any loss of PLL lock. Loss of PLL lock may occur when the external feedback path is interrupted. The length of the reset pulse should be greater than two reference clock cycles	Outputs enabled (active)
MBOOT	0	I ² C read/write mode	I ² C boot mode
PRESET	0	Normal Operation	Uses Configuration Register PRESET values on $\overline{\text{MR}}$
EX_FB_SEL	0	Selects internal feedback path	Selects external feedback path
MEDIA	0	Low output impedance (QA0 to QD1 and QFB)	50 Ω output impedance (QA0 to QD1 and QFB)
SEL_2P5V	0	Selects 3.3 V for core V _{DD}	Selects 2.5 V for core V _{DD}
MSTROUT_EN		All outputs disabled (synchronous with clock being low)	All outputs enabled
Control Outputs			
$\overline{\text{LOCK}}^{(1)}$		PLL is locked	PLL is unlocked
$\overline{\text{BUSY}}^{(1)}$		The IDCS has initiated a clock switch.	No clock switch currently performed
$\overline{\text{INT}}$		IDCS status has changed (indicates an assertion of CLK_STAT[3:0] or deassertion of LOCK)	No status change
CLK_STAT[3:0]		Associated clock input not valid	Associated clock input valid
SEL_STAT[1:0]		Encoded value refer to Table 7	Encoded value refer to Table 7

1. The combined pins of $\overline{\text{LOCK}} = 1$ and $\overline{\text{BUSY}} = 0$ are used to indicate a catastrophic failure. Refer to [PLL Out-of-Lock Conditions](#).

OPERATING INFORMATION

Basic Functional Description

The MPC9894 is a quad-redundancy IDCS clock generator. The redundancy feature allows automatic switching from the reference clock source to a secondary clock source on detection of a failed reference clock. The MPC9894 will detect and report a missing clock on any of its four inputs. Based upon the current IDCS mode setting and the qualifier input pins, the MPC9894 will switch to the next qualified secondary clock.

The input clock sources, CLK0, CLK1, CLK2, and CLK3, are assumed to be the same frequency⁽¹⁾ but non-phase-related sources. When a clock switch occurs, the phase alignment to the new clock source will occur over an extended time period, eliminating runt clock output pulses. The maximum rate of phase change is specified in the AC parameter Delta Period per Cycle ($\Delta_{PER/CYC}$). The device uses a fully integrated PLL to generate clock signals from redundant clock sources. The PLL multiplies the input reference clock signal by a variety of values, including 0.25, 0.5, 1, 2, 4 or 8. For a complete list refer to [Table 9](#). The frequency multiplied clock signal drives four independent output banks. Each output bank is phase-aligned to the input reference clock phase, providing virtually zero-delay capability⁽²⁾.

The configuration of the MPC9894 series of clock generators is performed through either the I²C interface or by the preset configuration mode. The I²C interface uses a 2 pin interface to transmit clock and data to and from a series of configuration and status registers in the MPC9894.

Definitions

IDCS:

Intelligent Dynamic Clock Switch. The IDCS monitors the clock inputs CLK0, CLK1, CLK2, and CLK3. Upon a failure of the reference clock signal, the IDCS switches to a qualified secondary clock signal and the status flags are set.

Reference clock signal:

The input clock signal that is selected by the IDCS or IDCS_MODE[2:0] as the input reference to the PLL.

Primary clock:

The input clock signal selected by IDCS_MODE[2:0]. The primary clock may or may not be the reference clock, depending on IDCS mode and IDCS status.

Secondary clock:

The input clock signal which will be selected by the IDCS upon an automatic clock switch.

Tertiary, Quaternary clocks:

The input clock signals that will be selected by the IDCS, in turn, after the current secondary clock. This clock selection is based upon a round robin rotational sequence

Manual IDCS mode:

The reference clock input is selected by IDCS_MODE[0xx].

Automatic IDCS mode:

The reference clock signal is determined by the IDCS.

Selected clock:

The SEL_STAT[1:0] flags indicate the reference clock signal.

Qualified clock:

The corresponding CLK_VALID[3:0] signal is logic high, the associated CLK_STAT status bit is logic high and no clock failure is present.

Bit Ordering:

The bit ordering convention used in this document for both pin and register documentation is NAME[7:0] where bit 7 is the most significant bit and 0 is the least significant bit.

1. Refer to [Table 39](#) for clock frequency specification.
2. Using external feedback.

DEVICE CONFIGURATION

I²C Configuration and I²C Addressing

The MPC9894 is configured via a series of 8-bit registers. The bits in these registers allow a wide range of control over the operation of the MPC9894 clock generator. These registers are accessed via an I²C interface through which a 7-bit address is sent from the I²C master to select the specific I²C slave device being accessed. The address for this clock driver is found in the first of the MPC9894 I²C registers. The format of this address has a fixed most-significant four bits of binary 1101 while the least-significant 3 address bits are read from the 3 ADDR pins. This provides the capability to configure up to 8 clock devices on a single I²C interface.

In addition, activation of the MBOOT pin on power-up or reset initiates an automatic boot sequence allowing the clock generators to be initialized from an I²C compatible EEPROM. In this case the MPC9894 becomes an I²C master and the

configuration bits are filled by the information from the first 6 bytes of the EEPROM. This allows the clock to be configured without a controlling I²C bus master if desired. The PRESET pin allows the device to be configured without a I²C bus master.

The detailed register descriptions are found in the section, I²C Interface and configuration/status register.

IDCS MODE Configuration

Three register bits are used to configure the MPC9894 in either an automatic clock switch mode or into a manual clock select mode. The three mode select bits are defined in [Table 3](#).

IDCS modes 000 through 011 allow manual selection between the four clock sources. IDCS modes 100 through 111 enable the automatic mode of the IDCS.

Table 3. MPC9894 IDCS Configuration

IDCS_MODE [2:0]	Description	Primary Clock	Secondary Clock ⁽¹⁾	Tertiary Clock	Quaternary Clock
000	Manual	CLK0	n/a	n/a	n/a
001		CLK1	n/a	n/a	n/a
010		CLK2	n/a	n/a	n/a
011		CLK3	n/a	n/a	n/a
100	Automatic	CLK0	CLK1	CLK2	CLK3
101		CLK1	CLK2	CLK3	CLK0
110		CLK2	CLK3	CLK0	CLK1
111		CLK3	CLK0	CLK1	CLK2

1. For CLK_VALID[3:0] = 1111 and input clock validity.

Automatic IDCS Mode

In the automatic mode, the clock failure detection is enabled and the IDCS overwrites the selected clock on a clock failure. The IDCS operation requires PLL_BYPASS = 0 and IDCS_MODE[2] = 1. The reference clock is handled in a round robin method based upon clock validity and the qualification input CLK_VALID[3:0]: The qualification input is obtained from the four input pins, CLK_VALID[3:0]. If any of the CLK_VALID pins are low the associated clock input will be considered “unqualified” and thus not selected as a reference clock. Alternatively, if a clock input does not have a valid clock signal, it will not be selected and the next qualified and valid clock is selected as the reference clock.

For example, if IDCS_MODE[2:0] = 100 (the IDCS is in automatic mode), CLK_VALID[3:0] = 1111 and CLK0, CLK1, CLK2, and CLK3 have valid input clock signals then CLK0 is the primary clock and CLK1 is the secondary clock. The IDCS selects the primary clock as the reference clock and the PLL will phase-lock the clock outputs to the CLK0 input. Upon the failure of CLK0 the IDCS will select CLK1 as the reference clock and initiate a switch, making CLK1 the reference clock and CLK2 the secondary clock. If CLK1 fails, the IDCS will switch to CLK2, etc.

A de-asserted CLK_VALID[] pin disables the associated clock input as secondary clock. The associated clock input cannot be selected by the IDCS as secondary clock signal. For instance, if CLK0 is the primary clock and

CLK_VALID[3:0] = 1101, the IDCS will select CLK2 upon a clock failure of CLK0 (CLK1 is disabled by the CLK_VALID1 input, allowing external logic to control the IDCS switch logic). If a clock is the reference clock signal and its associated CLK_VALID signal is switched from ‘valid’ to ‘invalid’, the IDCS initiates a clock input switch, selecting the next available clock input (secondary clock).

An invalid clock⁽¹⁾ signal triggers the associated clock status output (CLK_STAT[3:0]), independent of the primary and reference clock. These pins go set on a clock failure and remain set (sticky) until the CLK_ALARM_RST pin or the individual alarm reset bits (ALARM_RST[3:0]) are asserted. The CLK_STAT[3:0] outputs are mirrored in the device register 4 for I²C bus access.

After each successful IDCS-commanded switch, the primary clock as set by IDCS_MODE[1xx] is no longer the reference clock. The user may reset the IDCS flags by asserting the individual ALARM_RST[3:0] bits after each IDCS-commanded switch. Activation of ALARM_RST[3:0] does not change the reference clock. A user-commanded change of the primary clock in automatic mode requires a write command to the IDCS_MODE[2:0] = 0xx bits (the primary clock and SEL_STAT[1:0] can be freely changed by setting IDCS_MODE[2:0] = 1xx). If the reference clock is not the primary clock, a write command to IDCS_MODE[2:0] = 1xx will cause the PLL to lock on the primary clock, given the new primary clock is a qualified clock.

1. See [Clock Failure Detection](#).

Table 4. Input Clock Qualifier and Status Flag

Input Clock	Associated Input Qualifier ⁽¹⁾	Associated Input Clock Status Flag	
		Pin	Register location
CLK0	CLK_VALID0	CLK_STAT0	Device register 5, bit 3
CLK1	CLK_VALID1	CLK_STAT1	Device register 5, bit 4
CLK2	CLK_VALID2	CLK_STAT2	Device register 5, bit 5
CLK3	CLK_VALID3	CLK_STAT3	Device register 5, bit 6

1. The input qualifier logic can be enabled or disabled by setting the QUAL_EN bit in register 3.

Table 5. Input Clock Status CLK_STAT[3:0]

CLK_STAT[]	Description
0	Clock input failure
1	Clock input signal valid

Table 6. Clock Input Qualifier CLK_VALID[3:0]

CLK_VALID[]	Associated Input Clock
0	Not qualified and will not be selected
1	Qualified

The SEL_STAT[1:0] pins indicate which of the four input clocks is the current reference clock. In the automatic mode and in the case of the reference clock failure, the SEL_STAT

flag will indicate a reference clock different from the original primary clock selected by IDCS_MODE[2:0]. The CLK_STAT outputs are mirrored in register 5, bits 1:0 for I²C bus access.

Table 7. SEL_STAT[1:0]

SEL_STAT[1:0]	Selected clock input
00	CLK0
01	CLK1
10	CLK2
11	CLK3

If all four clock inputs are not qualified the VCO will slew to its lowest frequency. This condition will be indicated by the LOCK pin being de-asserted. The MPC9894 will remain in this state until an input clock is restored and the device is reset via the MR pin.

triggered by a phase step of ϕ_{mae} . This phase detector will issue a failed clock status (CLK_STATn = 0) within 'P' clock cycles.

The IDCS does not detect changes of the reference frequency or the reference frequency being out of the specified input frequency range. This includes errors such as reference frequency drift due to crystal aging etc.

Clock Failure Detection

The MPC9894 clock failure detection is performed using an input clock amplitude check combined with an activity detector. The following conditions will trigger a failed clock status (CLK_STATn = 0) on any qualified clock (CLK_VALIDn = 1). These conditions are:

1. Either or both CLKx, $\overline{\text{CLKx}}$ are disconnected from the input clock source and open.
2. CLKx and $\overline{\text{CLKx}}$ are shorted together
3. Either or both CLKx or $\overline{\text{CLKx}}$ are shorted to GND
4. Both CLKx and $\overline{\text{CLKx}}$ are shorted to a power supply
5. Amplitude of CLKx or $\overline{\text{CLKx}}$ is less than $V_{\text{PP,OK}}$ (refer to AC specification, Table 39)

In addition, the currently selected clock is checked by a phase-frequency detector after the input divider (P). This is

Clearing of IDCS Alarm Flags

The input clock status flags are set by a clock failure and remain set until manually cleared (sticky). Clearing can be done by either of two methods. All status flags can be cleared by the package pin, CLK_ALARM_RST. Or individual status flags can be cleared via register bits, ALARM_RST[3:0]. The CLK_ALARM_RST pin is activated by a negative edge on the pin. This clears all CLK_STAT[3:0] flags and returns the IDCS to the primary clock source. The SEL_STAT[1:0]-selected clock indicator now reflects the IDCS_MODE[2:0] setting.

By using ALARM_RST[3:0] (register 2) individual CLK_STAT[3:0] bits are cleared by writing a logic 0 to the individual bit in this register. It is important to note that this action does not return the IDCS to the primary clock.

IDCS Manual Mode

The manual request IDCS mode is selected by $IDCS_MODE[2:0] = 0xx$. The PLL functions normally and all four inputs clocks are monitored. The reference clock will always be the clock signal selected by $IDCS_MODE[1:0]$ and will be indicated by $SEL_STAT[1:0]$. A manual-requested clock switch (by changing the $IDCS_MODE[0xx]$ signal) will only be executed if the new clock is valid. The $SEL_STAT[1:0]$ pins/bits should be checked after the manual request to ensure the clock switch occurred.

Interrupt Operation

The MPC9894 pin, \overline{INT} , may be used to interrupt a microprocessor or microcontroller. This open drain output pin goes active or low on any of the following occurrences

1. A clock failure as indicated by any of bits 6 thru 3 being set in the status register
2. A out-of-lock condition for the PLL as indicated by either the \overline{LOCK} pin or bit 2 of the status register.

The interrupted processor would then use the I²C interface to read the status register (bit 7) to determine if this MPC9894 generated the interrupt. If the interrupt was caused by this MC9894, the status register would then be analyzed to determine the reason for the interrupt and then the appropriate action taken.

In order for interrupts to occur, the INT_E bit must be set in the Device Configuration and Output Clock Enable Register. Once the interrupt flag has been set, reading of the Status Register clears the INT flag.

Clock Operation on Power-Up

On or after power-up, the MPC9894 must be reset via the \overline{MR} pin. The MPC9894 may be powered-up in either of three configurations. These configurations are selected by the \overline{PRESET} pin and \overline{MBOOT} pin.

If \overline{PRESET} is low, on release of the \overline{MR} pin, the MPC9894 powers up in a benign mode with all clock outputs disabled. The device is ready to be and must be programmed via the I²C interface prior to operation.

If the \overline{PRESET} pin is high on the release of the \overline{MR} pin, the MPC9894 powers up in a run state. In this case the IDCS is configured for automatic mode, $CLK0$ to be the primary clock, a divide by 2 on clock bank A and B outputs, a divide by 8 on clock C and D outputs, all clock output banks enabled and interrupts enabled. If using the preset mode, then at least one of the clock inputs must have the correct input frequency prior to \overline{MR} going high.

Later in this document, tables defining the I²C interface registers describe both configurations. The default (reset) information is for the normal reset operation, while the default (preset) information describes the values for each configuration bit on activation of the \overline{PRESET} pin. In order to return the MPC9894 to either the preset or reset configuration the \overline{MR} pin must be activated.

Refer to the [Boot Mode](#) for a description of the \overline{MBOOT} pin.

PLL Feedback

The MPC9894 may be operated with either an internal or an external PLL feedback path. The selection of internal vs. external feedback is made with the pin, EX_FB_SEL . If external feedback is desired, the EX_FB_SEL pin should be connected to V_{DD} and a connection from QFB/\overline{QFB} to $FB_IN/\overline{FB_IN}$ must be made. External feedback provides a known relationship between the clock input and the feedback input for phase synchronization of output clock signals to the clock input. If this phase synchronization is not required, the MPC9894 may be configured for internal feedback by the connection of EX_FB_SEL to ground. In this configuration, the connection from the feedback output to the feedback input is not required. The feedback output may be used as a separate output to produce a reference clock output.

PLL Out-of-Lock Conditions

The \overline{LOCK} pin and associated status bit indicates the lock state of the PLL. After power-up and prior to writing configuration data to the control registers, an out-of-lock condition will be indicated by $\overline{LOCK} = 1$. If a valid clock is available and proper configuration data is written to the control registers, \overline{LOCK} will then indicate the PLL is in a locked condition with $\overline{LOCK} = 0$.

The combination of $\overline{LOCK} = 1$ and $\overline{BUSY} = 0$ is used to indicate a catastrophic failure of the PLL. This condition will occur on the following:

1. All input clocks have failed or no clock is present.
2. External feedback has been selected with the EX_FB_SEL pin and an external feedback signal is not present on the $FB_IN/\overline{FB_IN}$ inputs. It should be noted that if this condition occurs during the initial PLL lock acquisition the PLL will produce a clock that is locked to the internal feedback path. However, the catastrophic failure status of $\overline{LOCK} = 1$ and $\overline{BUSY} = 0$ will occur.

Recovery from the catastrophic failure condition requires repairing the cause of the failure, followed by a master reset to be issued to the MPC9894.

CLOCK OUTPUT TRANSITION

An MPC9894 clock switch, either in IDCS manual or IDCS automatic mode, follows the next positive edge of the newly selected reference clock signal. The positive edge of the feedback clock and the newly selected reference clock edge will start to slew to alignment by adjusting the feedback edge placement a small amount of time in each clock cycle.

Figure 2. Clock Switch shows a failed primary input clock with the MPC9894 switching to and aligning to the secondary clock. This small amount of additional time in each clock cycle will ensure that the output clock does not have any large phase changes or frequency changes in a short period of time. The alignment will be to either 1) the closest edge,

either forward or backward or 2) toward the lagging clock edge. The maximum rate of period change is specified in the AC parameter tables with the parameter of $\Delta_{PER/CYC}$. This parameter implies that the output clock edge will never change more than the specified amount in any one cycle.

The busy signal is used to indicate that the MPC9894 is in the process of slewing to the new input clock alignment. The signal is accessed thru the \overline{BUSY} pin and goes set upon a clock switch. The pin is reset once the phase realignment is completed. During the period that \overline{BUSY} is active, the configuration register of the MPC9894 should not be written with new configuration data.

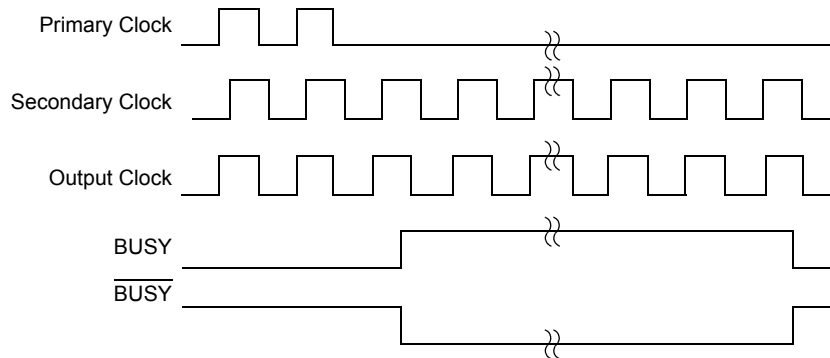


Figure 2. Clock Switch

For example, if the current input clock of 62.5 MHz and the secondary clock are 180 degrees out of phase then the minimum clock transition time can be calculated by

$$t_{cycle} = 1 \div f_{cycle} = 1 \div 62.5 \text{ MHz} = 16 \text{ ns}$$

Therefore 180 degree clock difference is

$$t_{cycle} \div 2 = 8 \text{ ns}$$

Assuming a $\Delta_{PER/CYC}$ of 40 ps, then

$$8 \text{ ns} \div 40 \text{ ps/cycle} = 200 \text{ cycles.}$$

This is the minimum number of cycles that will be required for the alignment to the new clock. The alignment to the new clock phase may occur slower than this but never faster.

The alignment on clock failure is selectable between either 1) the closest edge, either forward or backward or 2) toward the lagging clock edge. The selection of the alignment method is selected in the Slew_Control bit (bit 5) of the Device Configuration and Output Enable Register. This selection allows the user to select the alignment method that best suits the application. The characteristics and subsequent advantages and disadvantages of each method are described as follows.

1. Slew to closest edge

- a. The alignment is either forward toward the lagging edge or backward toward the leading edge.

- b. The alignment to the closest edge ensures re-alignment to the new clock input in the minimum time.

- c. In applications where the input clocks are closely aligned, there is no ambiguity on the direction of clock slew.

- d. The clock output frequency will either increase or decrease based on direction of clock slew.

2. Slew to lagging edge

- a. The output frequency always decreases. Thus the clock frequency never violates a maximum frequency specification in the user system.

- b. When input clocks are closely aligned (within SPO + jitter) the MPC9894 may align to the closest edge or to the lagging edge. In the case of multiple MPC9894s with equivalent clock inputs one MPC9894 may align in one direction while another MPC9894 may align to the opposite direction.

If default values for the Slew_Control is not the configuration desired then the reconfiguration of the slew method should be performed soon after power-up and the configuration should remain fixed from that point.

INPUT AND OUTPUT FREQUENCY CONFIGURATION

Configuring the MPC9894 input and output frequencies requires programming the internal PLL input, feedback and output dividers. The output frequency is represented by the following formula:

$$f_{OUT} = [(f_{REF} \div P) \cdot M] \div N$$

where f_{REF} is the reference frequency of the selected input clock source (reference input), M is the PLL feedback divider and N is an output divider. The PLL input divider P, the feedback divider M and the output divider are configured by the device registers 1 and 4. The MPC9894 has four output

banks (Bank A, B, C, and D) and each output bank can be configured individually as shown in [Table 8](#).

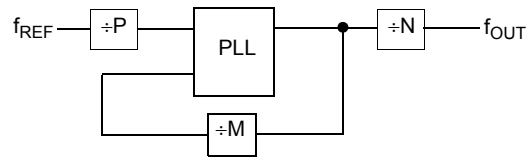


Figure 3. PLL Frequency Calculation

Table 8. Configuration of PLL P, M and N Frequency Dividers

Divider	Available Values	Configuration Through
PLL Input Divider (P)	÷1, ÷2, ÷3, ÷4, ÷6	Input_FB_Div[3:0], Register 4, bit 3:0
PLL Feedback Divider (M)	÷8, ÷12, ÷16	
PLL Output Divider, Bank A (N_A)	÷2, ÷4, ÷8, ÷16	FSEL_B[1:0], Register 1, bit 7:6
PLL Output Divider, Bank B (N_B)	÷2, ÷4, ÷8, ÷16	FSEL_B[1:0], Register 1, bit 5:4
PLL Output Divider, Bank C (N_C)	÷2, ÷4, ÷8, ÷16	FSEL_C[1:0], Register 1, bit 3:2
PLL Output Divider, Bank D (N_D)	÷2, ÷4, ÷8, ÷16	FSEL_D[1:0], Register 1, bit 1:0

The reference frequency f_{REF} and the selection of the PLL input divider (P) and feedback-divider (M) is limited by the specified VCO frequency range. f_{REF} , P and M must be configured to match the VCO frequency range of 340 to 680 MHz in order to achieve stable PLL operation:

$$f_{VCO,MIN} \leq (f_{REF} \div P \cdot M) \leq f_{VCO,MAX}$$

The PLL input divider (P) can be used to situate the VCO in the specified frequency range. The PLL input divider effectively extends the usable input frequency range.

The output frequency for each bank can be derived from the VCO frequency and output divider (N):

$$f_{QA}[1:0] = f_{VCO} \div N_A$$

$$f_{QB}[1:0] = f_{VCO} \div N_B$$

$$f_{QC}[1:0] = f_{VCO} \div N_C$$

$$f_{QD}[1:0] = f_{VCO} \div N_D$$

[Table 9](#) illustrates the possible input clock frequency configurations of the MPC9894. Note that the VCO lock range is always 340 MHz to 680 MHz, setting lower and upper boundaries for the frequency range of the device.

Table 9. Input and Output Frequency Ranges

Input_FB_Div[3:0]	P	M	f_{REF} range MHz	Output frequency for any bank A, B, C or D (FSEL_x) and ratio to f_{REF}			
				N = 2	N = 4	N = 8	N = 16
0	÷1	÷16	21.25 – 42.5	$8 \cdot f_{REF}$	$4 \cdot f_{REF}$	$2 \cdot f_{REF}$	f_{REF}
1	÷1	÷12	28.33 – 56.67	$6 \cdot f_{REF}$	$3 \cdot f_{REF}$	$1.5 \cdot f_{REF}$	$0.75 \cdot f_{REF}$
2	÷2	÷12	56.66 – 113.34	$3 \cdot f_{REF}$	$1.5 \cdot f_{REF}$	$0.75 \cdot f_{REF}$	$0.375 \cdot f_{REF}$
3	÷1	÷8	42.5 – 85.0	$4 \cdot f_{REF}$	$2 \cdot f_{REF}$	$1 \cdot f_{REF}$	$0.5 \cdot f_{REF}$
4	÷2	÷16	42.5 – 85.0	$4 \cdot f_{REF}$	$2 \cdot f_{REF}$	$1 \cdot f_{REF}$	$0.5 \cdot f_{REF}$
5	reserved						
6	÷2	÷8	85.0 – 170.0	$2 \cdot f_{REF}$	$1 \cdot f_{REF}$	$0.5 \cdot f_{REF}$	$0.125 \cdot f_{REF}$
7	÷3	÷12	85.0 – 170.0	$2 \cdot f_{REF}$	$1 \cdot f_{REF}$	$0.5 \cdot f_{REF}$	$0.125 \cdot f_{REF}$
8	÷4	÷16	85.0 – 170.0	$2 \cdot f_{REF}$	$1 \cdot f_{REF}$	$0.5 \cdot f_{REF}$	$0.125 \cdot f_{REF}$
9	reserved						
10	÷4	÷12	113.32 – 226.64	$1.5 \cdot f_{REF}$	$0.75 \cdot f_{REF}$	$0.375 \cdot f_{REF}$	$0.1875 \cdot f_{REF}$
11	reserved						
12	reserved						
13	reserved						
14	4	÷8	170.0 – 340.0	$1 \cdot f_{REF}$	$0.5 \cdot f_{REF}$	$0.25 \cdot f_{REF}$	$0.125 \cdot f_{REF}$
15	6	÷12	170.0 – 340.0	$1 \cdot f_{REF}$	$0.5 \cdot f_{REF}$	$0.25 \cdot f_{REF}$	$0.125 \cdot f_{REF}$

I²C INTERFACE AND CONFIGURATION/STATUS REGISTERS

The following tables summarize the bit configurations for the registers accessible via the I²C interface. The register values are read or written over the I²C interface by the I²C Master. This sequence starts with the I²C start command, followed by the I²C device address and read/write byte. This is then followed by the address of the register that is to be accessed. In the case of a write, the register address byte is followed by the data to be written to that register. In the case

of a read, the device will then respond with the data from that register. At the conclusion of the transfer an I²C Stop command is issued by the Master to terminate the transfer. For a complete description of the I²C protocol refer to the v2.1 I²C specification.

Table 10 lists the registers that are accessible via the I²C interface.

Table 10. I²C Registers

Address	Register
0x00	Table 11. Slave Address (Register 0 — Read Only)
0x01	Table 12. Output Configuration Register (Register 1 — Read/Write)
0x02	Table 14. Mode Configuration and Alarm Reset Register (Register 2 — Read/Write)
0x03	Table 17. Device Configuration and Output Clock Enable Register (Register 3 — Read/Write)
0x04	Table 22. Input and Feedback Divider Configuration Register (Register 4 — Read/Write)
0x05	Table 24. Status Register (Register 5 — Read Only)
0x06	Table 25. Output Power-Up Register (Register 6 — Read/Write)
0x07	Table 27. Feedback Power-Up Register (Register 7 — Read/Write)

Boot Mode

When the I²C boot mode is activated on power-up or reset via the MBOOT pin, the entire set of writable configuration registers are written with a 6-byte sequence. This sequence starts with the Output Configuration Register, and is followed by the Mode Configuration and Alarm Reset Register, the Device Configuration and Output Clock Enable Register, the Input and Feedback Divider Configuration Register, the Output Power-Up Register and the Feedback Power-Up Register. This equates to the register sequence of 1, 2, 3, 4,

6, 7. This sequence starts with the start command, the device select and read/write(write) byte, followed by the beginning byte address for reading from the EEPROM. This is then followed by the start command, device select and read/write (read) and four current address read bytes. The device address is the binary 7-bit value of 1010000. This I²C sequence is compatible with industry standard I²C bus EEPROMs such as STMicroelectronics M24C01, or equivalent.

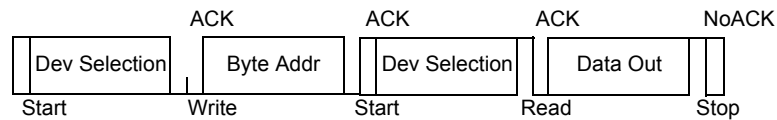


Figure 4. Boot Mode Random Access Read

Slave Address Register

The Slave Address register contains the I²C address that is used to determine if the data on the I²C interface is addressed to this device. The seven-bit address is determined with the fixed value of binary 1101 followed by

variable bits that are obtained from the three address pins. The three input pins allow for 8 different addresses for a given clock generator, allowing up to 8 clock generators to be addressed on a single I²C interface.

Table 11. Slave Address (Register 0 — Read Only)

Bit	7	6	5	4	3	2	1	0
Description	not used	ADDR_6	ADDR_5	ADDR_4	ADDR_3	ADDR_2 read from ADDR[2] pin	ADDR_1 read from ADDR[1] pin	ADDR_0 read from ADDR[0] pin
Reset default		1	1	0	1			
Preset default		1	1	0	1			

Output Configuration Register

The output configuration register is divided into four, 2 bit-groups with each group selecting the divide ratio for

output banks A through bank D, refer to [Table 12](#). For each bank, four output divider settings ($\div 2$, $\div 4$, $\div 8$, $\div 16$) are available, refer to [Table 12](#).

Table 12. Output Configuration Register (Register 1 — Read/Write)

Bit	7	6	5	4	3	2	1	0
Description	FSEL_A[1:0]		FSEL_B[1:0]		FSEL_C[1:0]		FSEL_D[1:0]	
Reset default	0	0	0	0	0	0	0	0
Preset default	0	0	0	0	1	0	1	0

Table 13. PLL Output Divider N (FSEL_A to FSEL_D)

FSEL_x[1:0]	Value
00	$\div 2$
01	$\div 4$
10	$\div 8$
11	$\div 16$

Mode Configuration Register

The mode configuration register, refer to [Table 14](#), is a read/write register and contains the fields for mode selection as well as alarm reset.

The mode of the MPC9894 may be changed by writing the three least significant Mode Configuration Register bits to the desired value. The current idcs mode of the MPC9894 may be obtained by reading this register.

The alarm reset bits, found in bit positions 6 thru 3, may be used to individually reset the status flags of register 5. Each

of these flag bits are associated with the four clock inputs pins and indicate a failed clock input. Clearing of a clock status flag is performed by writing a logic 1 to the individual bit (or bits if more than one flag is to be cleared). Care should be taken to insure that the idcs mode information is written to the proper value when resetting the clock status bits. The four alarm reset bits always read as a logic 0. If a clock input status flag is cleared and the clock input is still in a failed state, the status flag will go set within 4 clock cycles after being cleared.

Table 14. Mode Configuration and Alarm Reset Register (Register 2 — Read/Write)

Bit	7	6	5	4	3	2	1	0
Description	not used	ALARM_RST[3:0] (Refer to Table 15)				IDCS_MODE[2:0] (Refer to Table 16)		
Reset default	n/a	n/a	n/a	n/a	n/a	0	1	1
Preset default	n/a	n/a	n/a	n/a	n/a	1	0	0

Table 15. Individual Reset of CLK_STAT[x] Bits

ALARM_RST[x]	Description
0	No action
1	The status flag CLK_STAT[x] is cleared by setting of this bit. (bit always reads as zero)

Table 16. MPC9894 IDCS Configuration⁽¹⁾

IDCS_MODE [2:0]	Description	Primary clock	Secondary clock ⁽²⁾	Tertiary clock ⁽²⁾	Quaternary clock ⁽²⁾
000	Manual	CLK0	n/a	n/a	n/a
001		CLK1	n/a	n/a	n/a
010		CLK2	n/a	n/a	n/a
011		CLK3	n/a	n/a	n/a
100	Automatic	CLK0	CLK1	CLK2	CLK3
101		CLK1	CLK2	CLK3	CLK0
110		CLK2	CLK3	CLK0	CLK1
111		CLK3	CLK0	CLK1	CLK2

1. This is a repeat of [Table 8](#).

2. For CLK_VALID[3:0] = 1111 and input clock validity.

Device Configuration and Output Enable Register

The Device Configuration and Output Enable Register is used to individually enable or disable each bank of outputs. Output banks are enabled by setting the corresponding bit to a logic 1 and disabled by setting the bit to a logic 0 as described in [Table 21. Output Clock Stop/Enable](#). The disable logic sets the outputs of the addressed bank synchronously to logic low state ($Q_x[] = 0$ and $\overline{Q_x[]} = 1$). The clock output enable/stop bits can be set asynchronous to any clock signal without the risk of generating of runt pulses. The

PLL feedback output QFB cannot be disabled when MPC9894 is configured for external feedback.

The Device Configuration Register, bit 6, QUAL_EN is used to enable or disable all clock input qualifier pins. Asserting this bit enables the Clock Qualifier Input Pins CLK_VALID[3:0]. Deasserting this bit disables these pins such that inputs on CLK_VALID[3:0] are ignored.

The INT_E bit, in bit position 7, is used to enable or disable interrupts from occurring on the INT pin. The setting of the interrupt flag (bit 7 of the Status Register) is unaffected by this bit.

Table 17. Device Configuration and Output Clock Enable Register (Register 3 — Read/Write)

Bit	7	6	5	4	3	2	1	0
Description	INT_E	QUAL_EN	Slew_Control	Enable_QFB	ENABLE_QA	ENABLE_QB	ENABLE_QC	ENABLE_QD
Reset default	0	0	0	0	0	0	0	0
Preset default	1	1	0	0	1	1	1	1

Table 18. Interrupt Signal ($\overline{\text{INT}}$) Enable INT_E

INT_E	Description
0	Interrupt signal $\overline{\text{INT}}$ is disabled
1	Interrupt signal $\overline{\text{INT}}$ is enabled

Table 19. Input Clock Qualifier Enable QUAL_EN

QUAL_EN	Description
0	CLK_VALID[3:0] are disabled (clock qualifier signals are disabled)
1	CLK_VALID[3:0] are enabled (clocks can be qualified)

Table 20. Slew Control

Slew_Control	Description
0	Clock slew direction on clock switch is toward the closest edge
1	Clock slew direction on clock switch is toward the lagging edge

Table 21. Output Clock Stop/Enable

ENABLE_Qx	Description
0	Output bank x is disabled (clock stop in logic low state)
1	Output bank x is enabled

Input and Feedback Divider Configuration Register

Table 22. Input and Feedback Divider Configuration Register (Register 4 — Read/Write)

Bit	7	6	5	4	3	2	1	0
Description	Reserved	Reserved	Reserved	Reserved	Input_FB_Div[3:0]			
Reset default	n/a	n/a	n/a	n/a	0	0	0	0
Preset default	n/a	n/a	n/a	n/a	0	0	1	1

The Input and Feedback Divider Configuration Register is used to select the input divider value and the feedback divider values. The four bits for Input_FB_Div allow 16 combinations of input and feedback divider ratios. Some input and output

frequency ranges may overlap allowing a choice of PLL closed loop bandwidths. This selection may be useful when PLL devices are cascaded.

Table 23. Input_FB_Div[3:0]

Input_FB_Div[3:0]	Input Divider (P)	Feedback Divider (M)
0000	1	16
0001	1	12
0010	2	12
0011	1	8
0100	2	16
0101	reserved	
0110	2	8
0111	3	12
1000	4	16
1001	reserved	
1010	4	12
1011	reserved	
1100	reserved	
1101	reserved	
1110	4	8
1111	6	12

Device Status Register

The Device Status Register contains a copy of the status SEL_STAT[1:0], LOCK and CLK_STAT[3:0] pins. In addition, bit 7 is an INT flag bit, which is used to indicate a setting of a bit in the CLK_STAT[3:0], a clearing of the LOCK bit and a change in the value of the SEL_STAT[1:0] bits.

The CLK_STAT[3:0] bits are sticky and remain set until manually reset through the Mode Configuration Register.

The setting of the register INT bit is reflected on the interrupt pin only if interrupts are enabled. Enabling interrupts is done by the setting of the INT_E bit which is located in the Device Configuration Register. Reading of the Status Register clears the INT flag.

Table 24. Status Register (Register 5 — Read Only)

Bit	7	6	5	4	3	2	1	0
Description	INT Inverse of INT signal	CLK_STAT[3:0] Status of CLK3, CLK2, CLK1 and CLK0 (sticky) Copy of CLK_STAT[3:0] signal				LOCK Inverse of LOCK signal	SEL_STAT[1:0] Copy of SEL_STAT[1:0] signal	

Output Power-Up Register

The Output Power-Up Register configures each of the 8 LVPECL outputs for either power-up or a power-down state. The use of these bits allows power consumption to be

reduced when all of the clock outputs are not used. Placing an output in the power-down condition is not synchronous with the clock edges.

Table 25. Output Power-Up Register (Register 6 — Read/Write)

Bit	7	6	5	4	3	2	1	0
Description	PWR_QD1	PWR_QD0	PWR_QC1	PWR_QC0	PWR_QB1	PWR_QB01	PWR_QA1	PWR_QA0
Reset Default	0	0	0	0	0	0	0	0
Preset Default	1	1	1	1	1	1	1	1

Table 26. Clock Output Power-Up Bits

PWR_Qxx	Description
0	Output Power-Down
1	Output Power-Up

Feedback Power-Up Register

The Feedback Power-Up register bit 0 is used to configure the MPC9894 feedback output in either a power-up state or a power-down state. Note this register bit is valid for internal

feedback configuration only. When external feedback is selected QFB is always enabled and in a power-up state. The remaining bits of this register are unused and read as a logic 0.

Table 27. Feedback Power-Up Register (Register 7 — Read/Write)

Bit	7	6	5	4	3	2	1	0
Description								PWR_QFB
Reset Default								0
Preset Default								1

Table 28. Feedback Output Power-Up Bit

PWR_QFB	Description
0	Feedback Output Power-Down
1	Feedback Output Power-Up

IEEE STD.1149.1(JTAG)

This section describes the IEEE Std. 1149.1 compliant Test Access Port (TAP) and Boundary Scan Architecture implementation in the MPC9894. Special private instructions are provided to assist in production test control. These instructions combined with control of the test mode inputs

and the use of shared inputs and outputs provide for full production test mode access and control.

Test Access Port Interface Signals

Table 29 lists the TAP interface signals and their descriptions.

Table 29. TAP Interface Signals

Signal Name	Description	Function	Direction	Active State
TCK	Test Clock	Test logic clock.	Input	—
TMS	Test Mode Select	TAP mode control input.	Input	—
TDI	Test Data In	Serial test instruction/data input.	Input	—
TRST_B	Test Reset Bar	Asynchronous test controller reset.	Input	—
TDO	Test Data Out	Serial test instruction/data output.	Output	—

Instruction Register

Table 30. Instruction Register

Bit Position	4	3	2	1	0
Field	IR				
Capture-IR Value	0	0	0	0	1

Instructions

Table 31 lists the public instructions provided in the implementation and their instruction codes. Public

instructions are accessible by the customer for board test and may also be used for production chip test.

Table 31. TAP Controller Public Instructions

Instruction	Code	Enabled Serial Test Data Path
BYPASS	11111	Bypass Register
CLAMP	01100	Bypass Register
EXTEST	00000	Boundary Scan Register
HIGHZ	01001	Bypass Register
IDCODE	00001	ID Register
SAMPLE	00010	Boundary Scan Register

Boundary-Scan Register

A full description of the boundary scan register may be found in the BSDL file.

Device Identification Register (0x0281D01D)

Table 32. Device Identification Register

Bit Position	31	30	29	28	27	26	25	24	23	22	21	20	19	18	17	16	15	14	13	12	11	10	9	8	7	6	5	4	3	2	1	0	
Field	Version				Part Number												Manufacturer ID																
Value	0	0	0	0	0	0	1	0	1	0	0	0	0	0	0	1	1	1	0	1	0	0	0	0	0	0	0	0	1	1	1	0	1

POWER SUPPLY CONFIGURATION

The MPC9894 operates from either a 3.3 V or 2.5 V voltage supply for the device core. The pin SEL_2P5V is used to logically indicate the core supply voltage. This selection is done by setting the pin to a logic 1 for 2.5 V or logic 0 for 3.3 V operation.

The input and output supply voltage may be set for either 3.3 V or 2.5 V and can be individually set for inputs and banks

of outputs. [Table 33. Power Supply Configuration](#) lists the supply pins and what pin or group of pins are associated with each supply. Note, that for output skew and SPO specifications to be valid the input, feedback input and output, and the output bank must all be at the same voltage level.

Table 33. Power Supply Configuration

Supply Voltage	Description	Value
V _{DD}	Positive power supply for the device core, output status and control inputs. (3.3 V or 2.5 V)	3.3 V or 2.5 V
V _{DDAB}	Supply voltage for output banks A and B (QA0 through QB1)	3.3 V or 2.5 V
V _{DDCD}	Supply voltage for output banks A and B (QC0 through QD1) and QFB	3.3 V or 2.5 V
V _{DDIC} ⁽¹⁾	Supply voltage for differential inputs clock inputs CLK0 to CLK3 and FB_IN	3.3 V or 2.5 V
V _{DDA}	Clean supply for Analog portions of the PLL (This voltage is derived via an RC filter from the V _{DD} supply)	Derived from V _{DD}

1. V_{DDIC} (Supply of FB_IN) must be equal to V_{DDCD} (Supply of QFB) to ensure the SPO specification is met.

Power Supply Sequencing and MR Operation

[Figure 5](#) defines the release time and the minimum pulse length for MR pin. The MR release time is based upon the power supply being stable and within V_{DD} specifications. Refer to [Table 39](#) for actual parameter values. The MPC9894

may be configured after release of reset and the outputs will be stable for use after lock indication is obtained.

V_{DD} must ramp up prior to or concurrent with the other power supply pins. It is recommended that the maximum slew rate for the V_{DD} supply not exceed 0.5 V/ms.

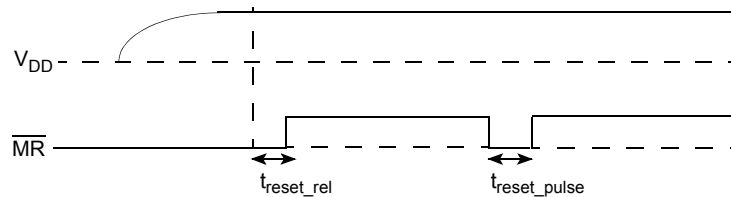


Figure 5. MR Operation

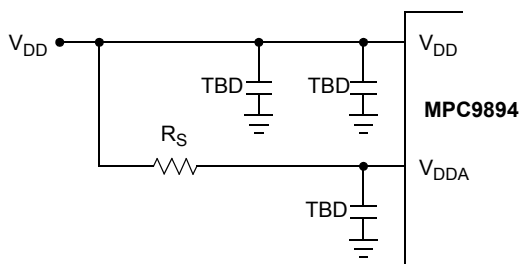


Figure 6. V_{CC} Power Supply Bypass

Power Supply Bypassing

The MPC9894 is a mixed analog/digital product. The differential architecture of the MPC9894 supports low noise signal operation at high frequencies. In order to maintain its superior signal quality, all V_{CC} pins should be bypassed by high-frequency ceramic capacitors connected to GND. If the spectral frequencies of the internally generated switching noise on the supply pins cross the series resonant point of an individual bypass capacitor, its overall impedance begins to look inductive and thus increases with increasing frequency. The parallel capacitor combination shown ensures that a low impedance path to ground exists for frequencies well above the noise bandwidth.

Clock Outputs

The MPC9894 clock outputs are differential LVPECL voltage compatible. The outputs are designed to drive a single 50 Ω impedance load that is properly terminated. The media pin is used to select between either of two output termination techniques.

Selection of media = 0 sets all of the outputs to drive up to 50 Ω parallel terminated (to V_{TT}) transmission lines. With media = 1 the outputs are designed to drive 50 Ω transmission line terminated with a single 100 differential load resistor. See [Figure 7](#) and [Figure 8](#) for diagrams of each of these termination techniques. Note, that the traditional output pulldown resistors for emitter follower biasing are not required for the MPC9894. If external feedback is used, the QFB output must be terminated with the same technique as selected with the media pin. Once a termination technique is chosen, that technique must be used for all MPC9894 outputs to guarantee output skew timing.

The recommended termination technique is media = 1. This provides a simpler termination method and also reduces overall power consumption of the MPC9894. Unused outputs may be powered-down via the Output Power-Up and Feedback Power-Up registers to conserve power. If external feedback is selected the programming of the PWR_QFB bit is ignored.

Table 34. Absolute Maximum Ratings⁽¹⁾

Symbol	Characteristics	Min	Max	Unit	Condition
V _{DD}	Supply Voltage (core)	-0.3	4.0	V	
V _{DDAB, CD}	Supply Voltage (differential outputs)	-0.3	4.0	V	
V _{DDIC}	Supply Voltage (differential inputs)	-0.3	4.0	V	
V _{DDA}	Supply Voltage (Analog Supply Voltage)	-0.3	V _{DD}	V	
V _{IN}	DC Input Voltage ⁽²⁾	-0.3	V _{DDx} +0.3	V	
V _{OUT}	DC Output Voltage ⁽³⁾	-0.3	V _{DDx} +0.3	V	
I _{IN}	DC Input Current		±20	mA	
I _{OUT}	DC Output Current		±50	mA	
T _S	Storage Temperature	-65	125	°C	

1. Absolute maximum continuous ratings are those maximum values beyond which damage to the device may occur. Exposure to these conditions or conditions beyond those indicated may adversely affect device reliability. Functional operation at absolute-maximum-rated conditions is not implied.
2. V_{DDx} references power supply pin associated with specific input pin.
3. V_{DDx} references power supply pin associated with specific output pin.

Table 35. General Specifications

Symbol	Characteristics	Min	Typ	Max	Unit	Condition
V _{TT}	Output Termination Voltage (LVPECL)		V _{DD} - 2		V	LVPECL outputs
MM	ESD Protection (Machine Model)	200			V	
HBM	ESD Protection (Human Body Model)	2000			V	
CDM	ESD Protection (Charged Device Model)	500			V	
LU	Latch-Up Immunity	200			mA	
θ _{JC}	Thermal Resistance (junction-to-ambient, junction-to-board, junction-to-case)		49		°C/W	
T _J	Junction Temperature ⁽¹⁾	-40		110	°C	

1. Operating junction temperature impacts device life time. Maximum continuous operating junction temperature should be selected according to the application life time requirements (Refer to Application Note AN1545 for more information). The device AC and DC parameters are specified up to 110°C junction temperature allowing the MPC9894 to be used in applications requiring industrial temperature range. It is recommended that users of the MPC9894 employ thermal modeling analysis to assist in applying the junction temperature specifications to their particular application.

Table 36. DC Characteristics (T_J = -40°C to +110°C)⁽¹⁾

Symbol	Characteristics	Min	Typ	Max	Unit	Condition
Supply Current for V _{DD} = 2.5 V±5% and V _{DDAB, CD} = 2.5 V±5%						
I _{DD}	Maximum Supply Current (core)		40	150	mA	V _{DD} pins
I _{DDAB, CD}	Maximum Supply Current, unterminated	MEDIA = 0	65	100	mA	V _{DDAB} and V _{DDCD} pins
I _{DDA}	Maximum Supply Current (Analog Supply)		8.0	20	mA	V _{DDA} pin
I _{DDIC}	Maximum Supply Current (I/O)		15	60	mA	V _{DDIC} pins
Supply Current for V _{DD} = 3.3 V±5% and V _{DDAB, CD} = 3.3 V±5% or V _{DDAB, CD} = 2.5 V±5%						
I _{DD}	Maximum Supply Current (core)		50	150	mA	V _{DD} pins
I _{DDAB, CD}	Maximum Supply Current, unterminated	MEDIA = 0	100	150	mA	V _{DDAB} and V _{DDCD} pins
I _{DDA}	Maximum Supply Current (Analog Supply)		10	25	mA	V _{DDIN} pins
I _{DDIC}	Maximum Supply Current (I/O)		25	75	mA	V _{DDIC} pins

1. DC characteristics are design targets and pending characterization.

Table 37. PECL DC Characteristics ($T_J = -40^{\circ}\text{C}$ to $+110^{\circ}\text{C}$)⁽¹⁾

Symbol	Characteristics	Min	Typ	Max	Unit	Condition
Differential PECL clock inputs (CLKx, $\overline{\text{CLKx}}$ and FB_IN, $\overline{\text{FB_IN}}$) ⁽²⁾ for $V_{\text{DDIC}} = 3.3\text{ V} \pm 5\%$ or $V_{\text{DDIC}} = 2.5\text{ V} \pm 5\%$						
V_{PKPK}	AC Differential Input Voltage ⁽³⁾	0.2		1.3	V	Differential operation
V_{CMR}	Differential Cross Point Voltage ⁽⁴⁾	1.25		$V_{\text{DD}} - 0.3$	V	Differential operation
I_{IN}	Input Current ⁽¹⁾			± 100	μA	$V_{\text{PP}} = 0.8\text{ V}$ and $V_{\text{CMR}} = V_{\text{DDL}} - 0.7\text{ V}$
Differential PECL clock outputs (QA0 to QD1 and QFB) for $V_{\text{DDAB,CD}} = 3.3\text{ V} \pm 5\%$ or $V_{\text{DDAB,CD}} = 2.5\text{ V} \pm 5\%$						
V_{OH}	Output High Voltage	$V_{\text{DDAB,CD}} - 1.2$		$V_{\text{DDAB,CD}} - 0.7$	V	Termination $50\ \Omega$ to V_{TT}
V_{OL}	Output Low Voltage	$V_{\text{DDAB,CD}} - 2.0$ 3.3 2.5 -1.9		$V_{\text{DDAB,CD}} - 1.5$ -1.4	V	Termination $50\ \Omega$ to V_{TT}
Z_{OUT}	Output Impedance Z_{diff}	MEDIA = 0 MEDIA = 1	50 80		Ω Ω	See Figure 7 See Figure 8

- DC characteristics are design targets and pending characterization.
- Clock inputs driven by PECL compatible signals.
- V_{PKPK} is the minimum differential input voltage swing required to maintain AC characteristics.
- V_{CMR} (DC) is the crosspoint of the differential input signal. Functional operation is obtained when the crosspoint is within the V_{CMR} (DC) range and the input swing lies within the V_{PP} (DC) specification.

Table 38. LVCMOS I/O DC Characteristics ($T_J = -40^{\circ}\text{C}$ to $+110^{\circ}\text{C}$)⁽¹⁾

Symbol	Characteristics	Min	Typ	Max	Unit	Condition
Single-ended LVCMOS inputs for $V_{\text{DD}} = 3.3\text{ V} \pm 5\%$						
V_{IH}	Input High Voltage	2.0		$V_{\text{DD}} + 0.3$	V	LVCMOS
V_{IL}	Input Low Voltage			0.8	V	LVCMOS
V_{OH}	Output High Voltage	2.4			V	$I_{\text{OH}} = -6\text{ mA}$
V_{OL}	Output Low Voltage			0.4	V	$I_{\text{OL}} = 6\text{ mA}$
Single-ended LVCMOS inputs for $V_{\text{DD}} = 2.5\text{ V} \pm 5\%$						
V_{IH}	Input High Voltage	1.7		$V_{\text{DD}} + 0.3$	V	LVCMOS
V_{IL}	Input Low Voltage			0.7	V	LVCMOS
V_{OH}	Output High Voltage	1.9			V	$I_{\text{OH}} = -6\text{ mA}$
V_{OL}	Output Low Voltage			0.4	V	$I_{\text{OL}} = 6\text{ mA}$

- DC characteristics are design targets and pending characterization.

Table 39. AC Characteristics ($T_J = -40^{\circ}\text{C}$ to $+110^{\circ}\text{C}$)(1) (2)

Symbol	Characteristics	Min	Typ	Max	Unit	Condition	
$V_{DD} = 3.3\text{ V} \pm 5\%$, $V_{DDAB,CD,IC} = 3.3\text{ V} \pm 5\%$ or $V_{DDAB,CD,IC} = 2.5\text{ V} \pm 5\%$							
Input and output timing specification							
f_{REF}	Input reference frequency	21.25 28.33 56.66 42.5 85.0 113.32 170		42.5 56.67 113.34 85 170 226.68 340	MHz MHz MHz MHz MHz MHz MHz	Input_FB_Div[3:0] = 0 Input_FB_Div[3:0] = 1 Input_FB_Div[3:0] = 2 Input_FB_Div[3:0] = 3,4 Input_FB_Div[3:0] = 6,7,8 Input_FB_Div[3:0] = 10 Input_FB_Div[3:0] = 14,15	
	Input reference frequency in PLL bypass mode ⁽³⁾			340	MHz	PLL bypass	
f_{VCO}	VCO frequency range ⁽⁴⁾	340		680	MHz		
f_{MAX}	Output Frequency	+2 output	170.0		340.0	MHz	PLL locked
		+4 output	85.0		170.0	MHz	
		+8 output	42.5		85.0	MHz	
		+16 output	21.25		42.5	MHz	
f_{REFDC}	Reference Input Duty Cycle	40		60	%		
f_{REFacc}	Input Frequency Accuracy ⁽⁵⁾			5000	ppm		
$mae_{(\emptyset)}$	Misaligned Edge Specification	± 600		± 1600	ps		
t_r, t_f	Output Rise/Fall Time			800	ps	20% to 80%	
DC	Output duty cycle	47.5	50	52.5	%		
f_{I2C}	I ² C frequency range			400	kHz		
Differential input and output voltages							
V_{PP}	Differential input voltage ⁽⁶⁾ (peak-to-peak) (PECL)			1.3	V		
$V_{PP,OK}$	Differential input voltage ⁽⁷⁾ (peak-to-peak) (PECL)	0.3			V		
$V_{PP,NOK}$	Differential input voltage ⁽⁸⁾ (peak-to-peak) (PECL)			0.1	V		
$V_{O(P-P)}$	Differential output voltage (peak-to-peak) (PECL)	0.3	0.8		V		
PLL and IDCS specifications							
$t_{(\emptyset)}$	Propagation Delay (static phase offset) CLKX, $\overline{\text{CLKX}}$ to FB_IN, $\overline{\text{FB_IN}}$	-100		150	ps	PLL locked with external feedback selected	
$t_{sk(O)}$	Output-to-output Skew within a bank ⁽⁹⁾ Output-to-output Skew across a bank ⁽⁹⁾			50	ps		
				100	ps		
$\Delta\text{PER}/\text{CYC}$	Rate of change of period ⁽¹⁰⁾	+2 output		+40	ps	slew_control = 1	
		+4 output		+80	ps		
		+8 output		+120	ps		
		+16 output		+160	ps		
$\Delta\text{PER}/\text{CYC}$	Rate of change of period ⁽¹¹⁾	+2 output		± 40	ps	slew_control = 0	
		+4 output		± 80	ps		
		+8 output		± 120	ps		
		+16 output		± 160	ps		
Jitter and bandwidth specifications							
$t_{JIT(CC)}$	Cycle-to-cycle jitter	RMS (1 σ)		10	ps	N = 2, 2, 2, 2 N = 4, 4, 4, 4 N = 8, 8, 8, 8	
				15	ps	N = 16, 16, 16, 16	
$t_{JIT(PER)}$	Period Jitter	RMS (1 σ)		10	ps	N = 2, 2, 2, 2 N = 4, 4, 4, 4 N = 8, 8, 8, 8	
				15	ps	N = 16, 16, 16, 16	
$t_{JIT(\emptyset)}$	I/O Phase Jitter	RMS (1 σ)		30	ps		
BW	PLL closed loop bandwidth ⁽¹²⁾		2		MHz		

Table 39. AC Characteristics ($T_j = -40^{\circ}\text{C}$ to $+110^{\circ}\text{C}$)(¹) (²) (Continued)

Symbol	Characteristics	Min	Typ	Max	Unit	Condition
$V_{DD} = 3.3\text{ V} \pm 5\%$, $V_{DDAB,CD,IC} = 3.3\text{ V} \pm 5\%$ or $V_{DDAB,CD,IC} = 2.5\text{ V} \pm 5\%$						
$\overline{\text{MR}}$ and PLL Lock						
t_{LOCK}	Maximum PLL Lock Time			10	μs	
$t_{\text{reset_ref}}$	$\overline{\text{MR}}$ hold time on power up	2			ps	
$t_{\text{reset_pulse}}$	$\overline{\text{MR}}$ hold time	100			ns	

1. AC characteristics are design targets and pending characterization.
2. AC characteristics apply for parallel output termination of $50\ \Omega$ to V_{TT} .
3. In bypass mode, the MPC9894 divides the input reference clock.
4. The input reference frequency must match the VCO lock range divided by the total feedback divider ratio: $f_{\text{REF}} = (f_{\text{VCO}} \div M) \cdot N$.
5. All Input Clock frequencies must be within this value to guarantee smooth phase transition on input clock switch.
6. V_{PP} is the minimum differential input voltage swing required to maintain AC characteristics including t_{pd} and device-to-device skew.
7. $V_{PP, OK}$ is the minimum differential input voltage swing required for a valid clock signal. Above $V_{PP, OK}$ the input will be detected as a good clock (see IDCS).
8. $V_{PP, NOK}$ is the maximum differential input voltage swing for a guaranteed bad clock. Below $V_{PP, NOK}$ the input will be detected as a failed clock (see IDCS).
9. $V_{DDAB} = V_{DDCD}$
10. Rate of period change is the maximum change of the clock output signal period T per cycle on a IDCS commanded switch.
11. Rate of period change is the maximum change of the clock output signal period T per cycle on a IDCS commanded switch.
12. -3 dB point of PLL transfer characteristics.

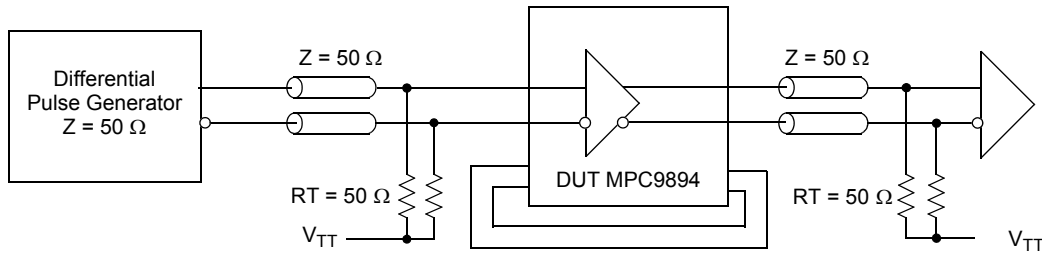


Figure 7. MPC9894 AC Test Reference (Media = 0)

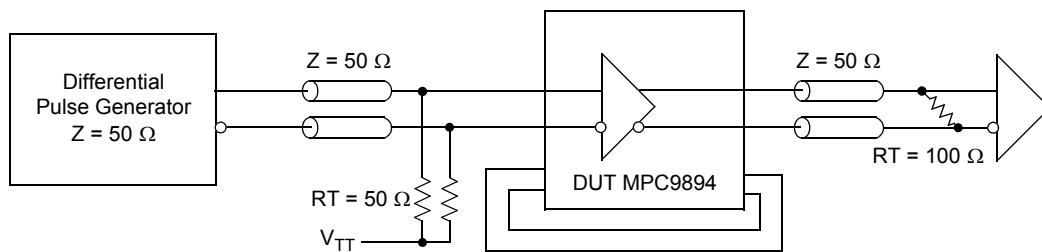


Figure 8 . MPC9894 AC Test Reference (Media = 1)

MPC9894 Pin and Package

Table 40. MPC9894 Pin Listing

Signal Name	Description	Direction	Type	Active State	Supply	Pin
CLK0	Clock0 Positive Input	Input	LVPECL	—	V _{DDIC}	D1
$\overline{\text{CLK0}}$	Clock0 Negative Input	Input	LVPECL	—	V _{DDIC}	D2
CLK1	Clock1 Positive Input	Input	LVPECL	—	V _{DDIC}	E3
$\overline{\text{CLK1}}$	Clock1 Negative Input	Input	LVPECL	—	V _{DDIC}	E2
CLK2	Clock2 Positive Input	Input	LVPECL	—	V _{DDIC}	F3
$\overline{\text{CLK2}}$	Clock2 Negative Input	Input	LVPECL	—	V _{DDIC}	F2
CLK3	Clock3 Positive Input	Input	LVPECL	—	V _{DDIC}	G1
$\overline{\text{CLK3}}$	Clock3 Negative Input	Input	LVPECL	—	V _{DDIC}	G2
FB_IN	Feedback Clock Positive Input	Input	LVPECL	—	V _{DDIC}	C1
$\overline{\text{FB_IN}}$	Feedback Clock Negative Input	Input	LVPECL	—	V _{DDIC}	C2
QA0	Positive Differential Clock Output	Output	LVPECL	—	V _{DDAB}	K4
$\overline{\text{QA0}}$	Negative Differential Clock Output	Output	LVPECL	—	V _{DDAB}	J4
QA1	Positive Differential Clock Output	Output	LVPECL	—	V _{DDAB}	K5
$\overline{\text{QA1}}$	Negative Differential Clock Output	Output	LVPECL	—	V _{DDAB}	J5
QB0	Positive Differential Clock Output	Output	LVPECL	—	V _{DDAB}	K7
$\overline{\text{QB0}}$	Negative Differential Clock Output	Output	LVPECL	—	V _{DDAB}	J7
QB1	Positive Differential Clock Output	Output	LVPECL	—	V _{DDAB}	K6
$\overline{\text{QB1}}$	Negative Differential Clock Output	Output	LVPECL	—	V _{DDAB}	J6
QC0	Positive Differential Clock Output	Output	LVPECL	—	V _{DDCD}	A7
$\overline{\text{QC0}}$	Negative Differential Clock Output	Output	LVPECL	—	V _{DDCD}	B7
QC1	Positive Differential Clock Output	Output	LVPECL	—	V _{DDCD}	A6
$\overline{\text{QC1}}$	Negative Differential Clock Output	Output	LVPECL	—	V _{DDCD}	B6
QD0	Positive Differential Clock Output	Output	LVPECL	—	V _{DDCD}	A4
$\overline{\text{QD0}}$	Negative Differential Clock Output	Output	LVPECL	—	V _{DDCD}	B4
QD1	Positive Differential Clock Output	Output	LVPECL	—	V _{DDCD}	A5
$\overline{\text{QD1}}$	Negative Differential Clock Output	Output	LVPECL	—	V _{DDCD}	B5
QFB	Positive Differential Clock Output	Output	LVPECL	—	V _{DDCD}	A3
$\overline{\text{QFB}}$	Negative Differential Clock Output	Output	LVPECL	—	V _{DDCD}	B3
CLK_VALID3	Qualifier for clock input CLK3	Input	LVC MOS	High	V _{DD}	F10
CLK_VALID2	Qualifier for clock input CLK2	Input	LVC MOS	High	V _{DD}	E10
CLK_VALID1	Qualifier for clock input CLK1	Input	LVC MOS	High	V _{DD}	E9
CLK_VALID0	Qualifier for clock input CLK0	Input	LVC MOS	High	V _{DD}	E8
$\overline{\text{CLK_ALARM_RST}}$	Reset of all four alarm status flags and clock selection status flag	Input	LVC MOS	Low	V _{DD}	F8
PLL_BYPASS	Select PLL of static test mode	Input	LVC MOS	High	V _{DD}	F9
MEDIA	Output impedance control (high = 50 Ω)	Input	LVC MOS	High	V _{DD}	E7
SCL	I ² C Interface Control, Clock	I/O	LVC MOS	—	V _{DD}	C9
SDA	I ² C Interface Control, Data	I/O	LVC MOS	—	V _{DD}	C10
ADDR2	I ² C Interface Control, Address 2 (MSB)	Input	LVC MOS	—	V _{DD}	A9
ADDR1	I ² C Interface Control, Address 1	Input	LVC MOS	—	V _{DD}	B8
ADDR0	I ² C Interface Control, Address 1 (LSB)	Input	LVC MOS	—	V _{DD}	A8
$\overline{\text{MR}}$	Device Master Reset	Input	LVC MOS	Low	V _{DD}	D10

Table 40. MPC9894 Pin Listing (Continued)

Signal Name	Description	Direction	Type	Active State	Supply	Pin
$\overline{\text{LOCK}}$	PLL Lock Indicator	Output	LVC MOS	Low	V _{DD}	G10
CLK_STAT3	Input CLK3 status indicator	Output	LVC MOS	High	V _{DD}	H9
CLK_STAT2	Input CLK2 status indicator	Output	LVC MOS	High	V _{DD}	H10
CLK_STAT1	Input CLK1 status indicator	Output	LVC MOS	High	V _{DD}	G8
CLK_STAT0	Input CLK0 status indicator	Output	LVC MOS	High	V _{DD}	G9
SEL_STAT1	Reference Clock Selection Indicator (MSB)	Output	LVC MOS	High	V _{DD}	K8
SEL_STAT0	Reference Clock Selection Indicator (LSB)	Output	LVC MOS	High	V _{DD}	J8
$\overline{\text{BUSY}}$	IDCS switch activity indicator	Output	LVC MOS	High	V _{DD}	J10
MBOOT	Activates I ² C Boot Sequence	Input	LVC MOS	High	V _{DD}	D8
$\overline{\text{INT}}$	Indicates any status IDCS change	Output	OD	n/a	V _{DD}	D9
PRESET	Sets preset state	Input	LVC MOS	High	V _{DD}	H7
TMS	JTAG Test Mode Select	Input	LVC MOS	High	V _{DDIC}	D3
TDI	JTAG Test Data Input	Input	LVC MOS	—	V _{DDIC}	H1
$\overline{\text{TRST}}$	JTAG Test Reset Bar	Input	LVC MOS	Low	V _{DD}	H2
TCK	JTAG Test Clock	Input	LVC MOS	—	V _{DDIC}	G3
TDO	JTAG Test Data Out	Output	LVC MOS	—	V _{DDIC}	J3
SEL_2P5V	Indicate core VDD level, (high = 2.5 V, low = 3.3 V)	Input	LVC MOS	—	V _{DD}	D7
MSTROUT_EN	Enable all outputs in sync	Input	LVC MOS	High	V _{DD}	K9
PLL_TEST2	PLL Test Bit 2	Input	LVC MOS	—	V _{DDAB}	H4
PLL_TEST1	PLL Test Bit 1	Input	LVC MOS	—	V _{DDAB}	G5
PLL_TEST0	PLL Test Bit 0 (LSB)	Input	LVC MOS	—	V _{DDCD}	D5
TPA	PLL Analog Test Pin	Output	Analog	—	V _{DDA}	E4
EX_FB_SEL	Select feedback mode (high = external)	Input	LVC MOS	—	V _{DD}	C7
V _{DD}	Control Input, Status Output and Core Supply	Power	—	—	V _{DD}	A10, B9, C3, C8, G7, H8, J9, K10
V _{DDA}	Analog Supply	Power	—	—	V _{DDA}	E1
V _{DDAB}	Supply for A and B bank outputs	Power	—	—	V _{DDAB}	H6, J2, K2
V _{DDCD}	Supply for C and D bank outputs	Power	—	—	V _{DDCD}	A1, C4, C6
V _{DDIC}	Supply for input clocks	Power	—	—	V _{DDIC}	B2, H3, K1
GND	Control Input, Status Output and Core Ground	Ground	—	—	GND	A2, B1, B10, C5, D4, D6, E5, E6, F1, F4, F5, F6, F7, G4, G6, H5, J1, K3

Table 41. MPC9894 Pin Diagram

	1	2	3	4	5	6	7	8	9	10
A	V _{DDC}	GND	QFB	QD0	QD1	QC1	QC0	ADDR0	ADDR2	V _{DD}
B	GND	V _{DDIC}	$\overline{\text{QFB}}$	$\overline{\text{QD0}}$	$\overline{\text{QD1}}$	$\overline{\text{QC1}}$	$\overline{\text{QC0}}$	ADDR1	V _{DD}	GND
C	FB_IN	$\overline{\text{FB_IN}}$	V _{DD}	V _{DDCD}	GND	V _{DDCD}	EX_FB_SEL	V _{DD}	SCL	SDA
D	CLK0	$\overline{\text{CLK0}}$	TMS	GND	PLL_TEST0	GND	SEL_2P5V	MBOOT	$\overline{\text{INT}}$	$\overline{\text{MR}}$
E	V _{DDA}	$\overline{\text{CLK1}}$	CLK1	TPA	GND	GND	MEDIA	CLK_VALID0	CLK_VALID1	CLK_VALID2
F	GND	$\overline{\text{CLK2}}$	CLK2	GND	GND	GND	GND	$\overline{\text{CLK_ALARM_RST}}$	PLL_BYPASS	CLK_VALID3
G	CLK3	$\overline{\text{CLK3}}$	TCK	GND	PLL_TEST1	GND	V _{DD}	CLK_STAT1	CLK_STAT0	$\overline{\text{LOCK}}$
H	TDI	$\overline{\text{TRST}}$	VDDIC	PLL_TEST2	GND	V _{DDAB}	PRESET	V _{DD}	CLK_STAT3	CLK_STAT2
J	GND	V _{DDAB}	TDO	$\overline{\text{QA0}}$	$\overline{\text{QA1}}$	$\overline{\text{QB1}}$	$\overline{\text{QB0}}$	SEL_STAT0	V _{DD}	$\overline{\text{BUSY}}$
K	V _{DDIC}	V _{DDAB}	GND	QA0	QA1	QB1	QB0	SEL_STAT1	MSTROUT_EN	V _{DD}

MPC9894 PROGRAMMING MODEL

Table 42. Slave Address (Register 0 — Read Only)

Bit	7	6	5	4	3	2	1	0
Description	not used	ADDR_6	ADDR_5	ADDR_4	ADDR_3	ADDR_2 read from ADDR[2] pin	ADDR_1 read from ADR[1] pin	ADDR_0 read from ADDR[0] pin
Reset default		x (TBD)	x (TBD)	x (TBD)	x (TBD)			
Preset default		x (TBD)	x (TBD)	x (TBD)	x (TBD)			

Table 43. Output Configuration Register (Register 1 — Read/Write)

Bit	7	6	5	4	3	2	1	0
Description	FSEL_A[1:0]		FSEL_B[1:0]		FSEL_C[1:0]		FSEL_D[1:0]	
Reset default	0	0	0	0	0	0	0	0
Preset default	0	0	0	0	1	0	1	0

Table 44. Mode Configuration and Alarm Reset Register (Register 2 — Read/Write)

Bit	7	6	5	4	3	2	1	0
Description	not used	ALARM_RST[3:0] (See Table 15)				IDCS_MODE[2:0] (See Table 16)		
Reset default	n/a	n/a	n/a	n/a	n/a	0	1	1
Preset default	n/a	n/a	n/a	n/a	n/a	1	0	0

Table 45. Device Configuration and Output Clock Enable Register (Register 3 — Read/Write)

Bit	7	6	5	4	3	2	1	0
Description	INT_E	QUAL_EN	Slew_Control	Enable_QFB	ENABLE_QA	ENABLE_QB	ENABLE_QC	ENABLE_QD
Reset default	0	0	0	0	0	0	0	0
Preset default	1	1	0	0	1	1	1	1

Table 46. Input and Feedback Divider Configuration Register (Register 4 — Read/Write)

Bit	7	6	5	4	3	2	1	0
Description	Reserved	Reserved	Reserved	Reserved	Input_FB_Div[3:0]			
Reset default	n/a	n/a	n/a	n/a	0	0	0	0
Preset default	n/a	n/a	n/a	n/a	0	0	1	1

Table 47. Status Register (Register 5 — Read Only)

Bit	7	6	5	4	3	2	1	0
Description	INT Inverse of INT signal	CLK_STAT[3:0] Status of CLK3, CLK2, CLK1 and CLK0 (sticky) Copy of CLK_STAT[3:0] signal				LOCK Inverse of LOCK signal	SEL_STAT[1:0] Copy of SEL_STAT[1:0] signal	

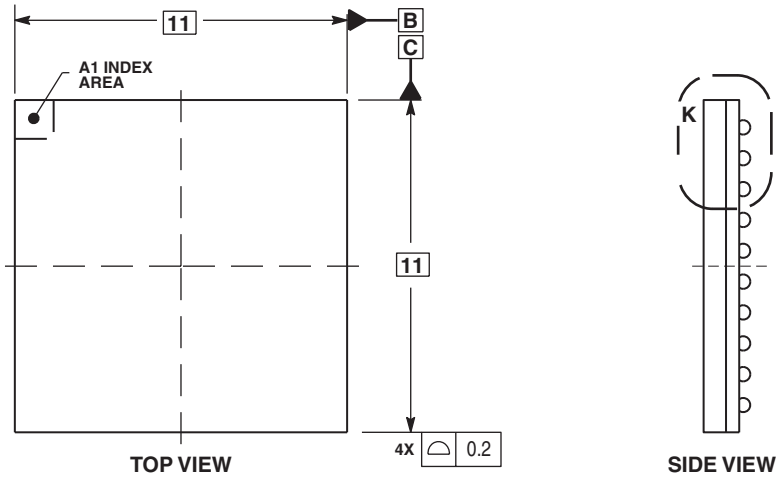
Table 48. Output Power-Up Register (Register 6 — Read/Write)

Bit	7	6	5	4	3	2	1	0
Description	PWR_QD1	PWR_QD0	PWR_QC1	PWR_QC0	PWR_QB1	PWR_QB01	PWR_QA1	PWR_QA0
Reset Default	0	0	0	0	0	0	0	0
Preset Default	1	1	1	1	1	1	1	1

Table 49. Feedback Power-Up Register (Register 7 — Read/Write)

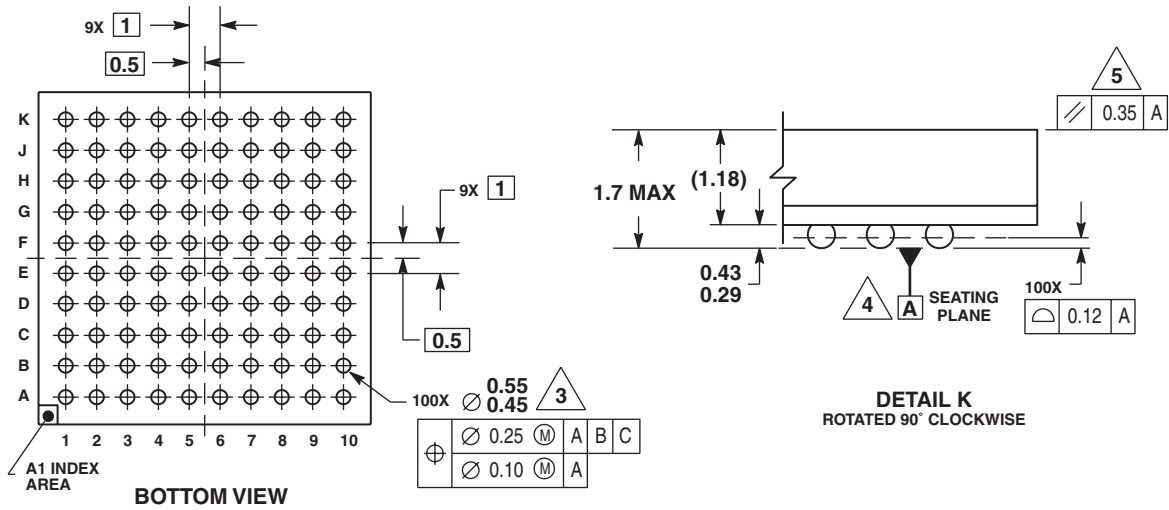
Bit	7	6	5	4	3	2	1	0
Description								PWR_QFB
Reset Default								0
Preset Default								1

PACKAGE DIMENSIONS



NOTES:

1. ALL DIMENSIONS ARE IN MILLIMETERS.
2. DIMENSIONING AND TOLERANCING PER ASME Y14.5M, 1994.
3. MAXIMUM SOLDER BALL DIAMETER MEASURED PARALLEL TO DATUM A.
4. DATUM A, SEATING PLANE, IS DEFINED BY THE SPHERICAL CROWNS OF THE SOLDER BALLS.
5. PARALLELISM MEASUREMENT SHALL EXCLUDE ANY EFFECT OF MARK ON TOP SURFACE OF PACKAGING.



**CASE 1462-01
ISSUE O**

NOTES

How to Reach Us:

Home Page:

www.freescale.com

E-mail:

support@freescale.com

USA/Europe or Locations Not Listed:

Freescale Semiconductor
Technical Information Center, CH370
1300 N. Alma School Road
Chandler, Arizona 85224
+1-800-521-6274 or +1-480-768-2130
support@freescale.com

Europe, Middle East, and Africa:

Freescale Halbleiter Deutschland GmbH
Technical Information Center
Schatzbogen 7
81829 Muenchen, Germany
+44 1296 380 456 (English)
+46 8 52200080 (English)
+49 89 92103 559 (German)
+33 1 69 35 48 48 (French)
support@freescale.com

Japan:

Freescale Semiconductor Japan Ltd.
Headquarters
ARCO Tower 15F
1-8-1, Shimo-Meguro, Meguro-ku,
Tokyo 153-0064
Japan
0120 191014 or +81 3 5437 9125
support.japan@freescale.com

Asia/Pacific:

Freescale Semiconductor Hong Kong Ltd.
Technical Information Center
2 Dai King Street
Tai Po Industrial Estate
Tai Po, N.T., Hong Kong
+800 2666 8080
support.asia@freescale.com

For Literature Requests Only:

Freescale Semiconductor Literature Distribution Center
P.O. Box 5405
Denver, Colorado 80217
1-800-441-2447 or 303-675-2140
Fax: 303-675-2150
LDCForFreescaleSemiconductor@hibbertgroup.com

Information in this document is provided solely to enable system and software implementers to use Freescale Semiconductor products. There are no express or implied copyright licenses granted hereunder to design or fabricate any integrated circuits or integrated circuits based on the information in this document.

Freescale Semiconductor reserves the right to make changes without further notice to any products herein. Freescale Semiconductor makes no warranty, representation or guarantee regarding the suitability of its products for any particular purpose, nor does Freescale Semiconductor assume any liability arising out of the application or use of any product or circuit, and specifically disclaims any and all liability, including without limitation consequential or incidental damages. "Typical" parameters that may be provided in Freescale Semiconductor data sheets and/or specifications can and do vary in different applications and actual performance may vary over time. All operating parameters, including "Typicals", must be validated for each customer application by customer's technical experts. Freescale Semiconductor does not convey any license under its patent rights nor the rights of others. Freescale Semiconductor products are not designed, intended, or authorized for use as components in systems intended for surgical implant into the body, or other applications intended to support or sustain life, or for any other application in which the failure of the Freescale Semiconductor product could create a situation where personal injury or death may occur. Should Buyer purchase or use Freescale Semiconductor products for any such unintended or unauthorized application, Buyer shall indemnify and hold Freescale Semiconductor and its officers, employees, subsidiaries, affiliates, and distributors harmless against all claims, costs, damages, and expenses, and reasonable attorney fees arising out of, directly or indirectly, any claim of personal injury or death associated with such unintended or unauthorized use, even if such claim alleges that Freescale Semiconductor was negligent regarding the design or manufacture of the part.

Freescale™ and the Freescale logo are trademarks of Freescale Semiconductor, Inc. All other product or service names are the property of their respective owners.

© Freescale Semiconductor, Inc. 2004. All rights reserved.