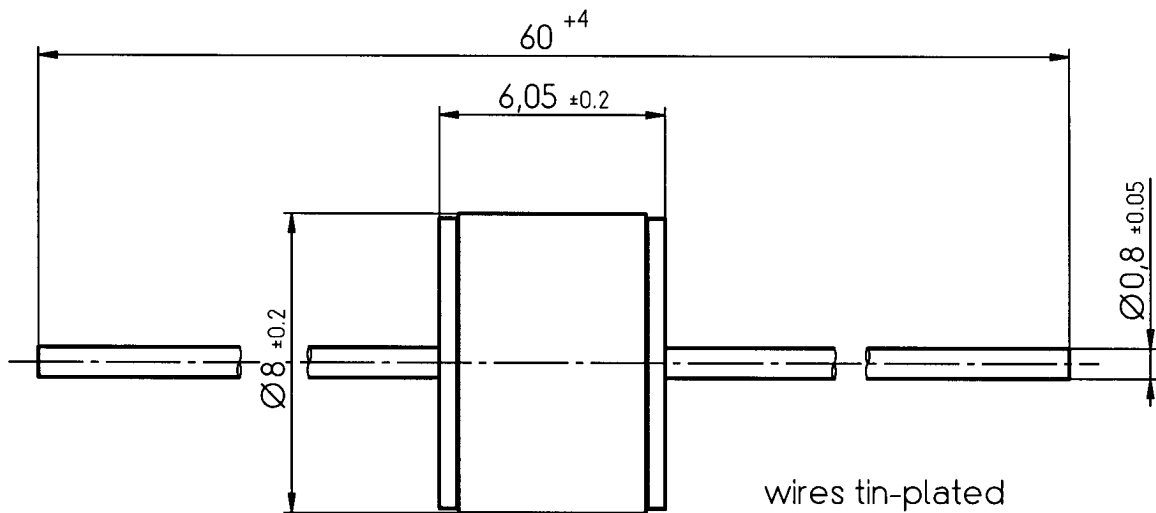


DC spark-over voltage <sup>1)2)</sup>	235 ... 260	V
Initial values		
Ignition time $t_i$ after 150 hours in darkness <sup>3)</sup>	95   99.9   100	%
at -20 °C	≤ 4	≤ 5   ≤ 7
at +25; 125 °C	≤ 2	≤ 3   ≤ 4
Electrical life time A		
Maximum increase of DC spark-over voltage	25	V
Switching operations at +25; 125 °C		
Switching frequency 10 ... 25 Hz	2 000 000	Ignitions
Switching frequency < 10 Hz	4 000 000	Ignitions
Test circuit parameters; 1 s ON, 10 s OFF		
Open circuit voltage $V_0$	230	$V_{ac}$
Loading resistance R	15	k $\Omega$
Discharge capacitance C	2.2	$\mu$ F
Inductance L	10	$\mu$ H
Discharge peak current $I_p$	~ 300	A
Electrical life time B		
Switching operations at +25 °C		
Switching frequency 1000 Hz	600 000	Ignitions
Test circuit parameters; 1 cycle 10 min ON		
Open circuit voltage $V_0$	230	$V_{ac}$
Loading resistance R	1.5	k $\Omega$
Discharge capacitance C	0.1	$\mu$ F
Inductance L	7	$\mu$ H
Discharge peak current $I_p$	~ 300	A
Insulation resistance at 100 $V_{dc}$	> 0.1	G $\Omega$
Capacitance at 1 MHz	< 2	pF
Weight	~ 1.5	g
Operation and storage temperature	-20 ... +125	°C
Climatic category (IEC 60068-1)	20/ 125/ 21	
Marking, red	<b>EPCOS CS 230 YMM O</b>	
	CS - Series	
	230 - Nominal voltage	
	YY - Year of production	
	MM - Month of production	
	O - Non radioactive	

<sup>1)</sup> At delivery AQL 0.65 level II, DIN ISO 2859

<sup>2)</sup> In ionized mode, after load

<sup>3)</sup> Time from capacitor charged to the first high voltage spark  
Test circuit:  $V_{ac} = 198$  V; R = 36 k $\Omega$ ; C = 2.2  $\mu$ F



wires tin-plated

*Not to scale*

*Dimensions in mm*

*Non controlled document*

© EPCOS AG 2002. Reproduction, publication and dissemination of this data sheet, enclosures hereto and the information contained therein without EPCOS' prior express consent is prohibited.

Purchase orders are subject to the General Conditions for the Supply of Products and Services of the Electrical and Electronics Industry recommended by the ZVEI (German Electrical and Electronic Manufacturers' Association), unless otherwise agreed.