



ICS8752I

LOW SKEW, 1-TO-8

LVC MOS CLOCK MULTIPLIER/ZERO DELAY BUFFER

GENERAL DESCRIPTION

The ICS8752I is a low voltage, low skew LVC MOS clock generator. With output up to 240MHz, the ICS8752I is targeted for high performance clock applications. Along with a fully integrated PLL, the ICS8752I contains frequency configurable outputs and an external feedback input for regenerating clocks with “zero delay”.

Dual clock inputs, CLK0 and CLK1, support redundant clock applications. The CLK_SEL input determines which reference clock is used. The output divider values of Bank A and B are controlled by the DIV_SELA0:1, and DIV_SELB0:1, respectively.

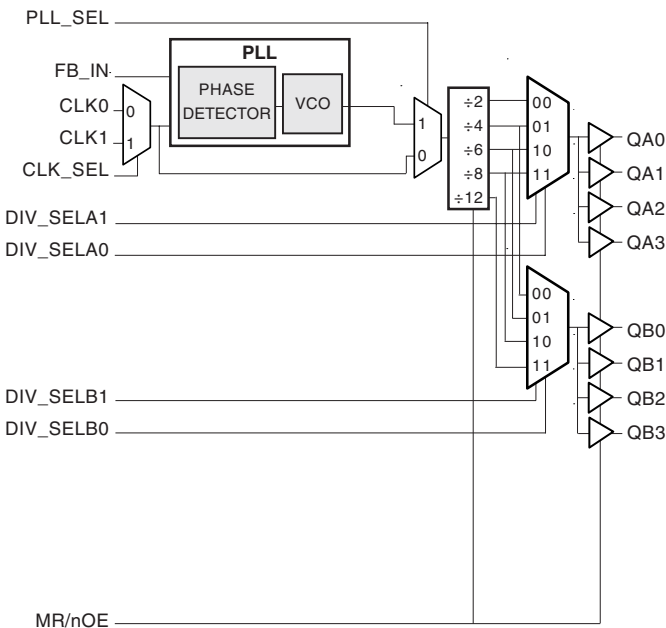
For test and system debug purposes, the PLL_SEL input allows the PLL to be bypassed. When HIGH, the MR/nOE input resets the internal dividers and forces the outputs to the high impedance state.

The low impedance LVC MOS outputs of the ICS8752I are designed to drive terminated transmission lines. The effective fanout of each output can be doubled by utilizing the ability of each output to drive two series terminated transmission lines.

FEATURES

- Fully integrated PLL
- 8 LVC MOS outputs, 7Ω typical output impedance
- Selectable LVC MOS CLK0 or CLK1 inputs for redundant clock applications
- Input/Output frequency range: 18.33MHz to 240MHz at $V_{CC} = 3.3V \pm 5\%$
- VCO range: 220MHz to 480MHz
- External feedback for “zero delay” clock regeneration
- Cycle-to-cycle jitter: 75ps (maximum), (all outputs are the same frequency)
- Output skew: 100ps (maximum)
- Bank skew: 55ps (maximum)
- Full 3.3V or 2.5V supply voltage
- -40°C to 85°C ambient operating temperature
- Lead-Free package fully RoHS compliant

BLOCK DIAGRAM



PIN ASSIGNMENT

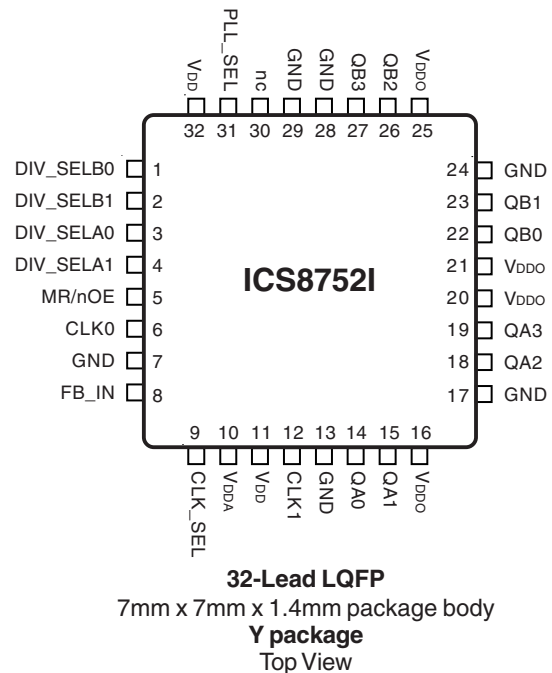




TABLE 1. PIN DESCRIPTIONS

Number	Name	Type		Description
1, 2	DIV_SELB0, DIV_SELB1	Input	Pulldown	Determines output divider values for Bank B as described in Table 3. LVCMOS / LVTTTL interface levels.
3, 4	DIV SELA0, DIV SELA1	Input	Pulldown	Determines output divider values for Bank A as described in Table 3. LVCMOS / LVTTTL interface levels.
5	MR/nOE	Input	Pulldown	When logic HIGH, the internal dividers are reset and the outputs are disabled. When logic LOW, the master reset is disabled and the outputs are enabled. LVCMOS / LVTTTL interface levels.
6	CLK0	Input	Pulldown	Clock input. LVCMOS / LVTTTL interface levels.
7, 13, 17, 24, 28, 29	GND	Power		Power supply ground.
8	FB_IN	Input	Pulldown	Feedback input to phase detector for generating clocks with "zero delay". LVCMOS / LVTTTL interface levels.
9	CLK_SEL	Input	Pulldown	Clock select input. Selects between CLK0 or CLK1 as phase detector reference. When LOW, selects CLK0. When HIGH, selects CLK1. LVCMOS / LVTTTL interface levels.
10	V _{DDA}	Power		Analog supply pin.
11, 32	V _{DD}	Power		Core supply pins.
12	CLK1	Input	Pulldown	Clock input. LVCMOS / LVTTTL interface levels.
14, 15, 18, 19	QA0, QA1, QA2, QA3	Output		Bank A clock outputs. 7Ω typical output impedance. LVCMOS / LVTTTL interface levels.
16, 20, 21, 25	V _{DDO}	Power		Output supply pins.
22, 23, 26, 27	QB0, QB1, QB2, QB3	Output		Bank B clock outputs. 7Ω typical output impedance. LVCMOS / LVTTTL interface levels.
30	nc	Unused		No connect.
31	PLL_SEL	Input	Pullup	Selects between the PLL and CLK0 or CLK1 as the input to the dividers. When HIGH selects PLL. When LOW selects CLK0 or CLK1. LVCMOS / LVTTTL interface levels.

NOTE: *Pullup* and *Pulldown* refer to internal input resistors. See Table 2, Pin Characteristics, for typical values.

TABLE 2. PIN CHARACTERISTICS

Symbol	Parameter	Test Conditions	Minimum	Typical	Maximum	Units
C _{IN}	Input Capacitance			4		pF
R _{PULLUP}	Input Pullup Resistor			51		kΩ
R _{PULLDOWN}	Input Pulldown Resistor			51		kΩ
C _{PD}	Power Dissipation Capacitance (per output)	V _{DDA} , V _{DD} , V _{DDO} = 3.465V		23		pF
R _{OUT}	Output Impedance			7		Ω



TABLE 3. CONTROL INPUT FUNCTION TABLE

Inputs							Outputs	
MR/nOE	PLL_SEL	CLK_SEL	DIV_SELA1	DIV_SELA0	DIV_SELB1	DIV_SELB0	QAx	QBx
1	X	X	X	X	X	X	Hi-Z	Hi-Z
0	1	X	0	0	0	0	fVCO/2	fVCO/4
0	1	X	0	1	0	1	fVCO/4	fVCO/6
0	1	X	1	0	1	0	fVCO/6	fVCO/8
0	1	X	1	1	1	1	fVCO/8	fVCO/12
0	0	0	0	0	0	0	fCLK0/2	fCLK0/4
0	0	0	0	1	0	1	fCLK0/4	fCLK0/6
0	0	0	1	0	1	0	fCLK0/6	fCLK0/8
0	0	0	1	1	1	1	fCLK0/8	fCLK0/12
0	0	1	0	0	0	0	fCLK1/2	fCLK1/4
0	0	1	0	1	0	1	fCLK1/4	fCLK1/6
0	0	1	1	0	1	0	fCLK1/6	fCLK1/8
0	0	1	1	1	1	1	fCLK1/8	fCLK1/12

NOTE: For normal operation, MR/nOE is LOW. When MR/nOE is HIGH, all outputs are disabled.

TABLE 4A. QA OUTPUT FREQUENCY w/FB_IN = QB

Inputs						Outputs			
FB_IN	DIV_SELB1	DIV_SELB0	QB Output Divider Mode (NOTE 2)	CLK0, CLK1 (MHz) (NOTE 1)		DIV_SELA1	DIV_SELA0	QA Output Divider Mode	QA Multiplier (NOTE 2)
				Minimum	Maximum				
QB	0	0	÷4	55	120	0	0	÷2	2
						0	1	÷4	1
						1	0	÷6	0.667
						1	1	÷8	0.5
QB	0	1	÷6	36.66	80	0	0	÷2	3
						0	1	÷4	1.5
						1	0	÷6	1
						1	1	÷8	0.75
QB	1	0	÷8	27.5	60	0	0	÷2	4
						0	1	÷4	2
						1	0	÷6	1.33
						1	1	÷8	1
QB	1	1	÷12	18.33	40	0	1	÷2	6
						0	1	÷4	3
						1	0	÷6	2
						1	1	÷8	1.5

NOTE 1: VCO frequency range is 220MHz to 480MHz.

NOTE 2: QA output frequency equal to CLKx frequency times the multiplier;

QB output frequency equal to CLKx.



ICS8752I

Low SKEW, 1-TO-8
LVCMOS CLOCK MULTIPLIER/ZERO DELAY BUFFER

TABLE 4B. QB OUTPUT FREQUENCY W/FB_IN = QA

FB_IN	DIV_SEL _{A1}	DIV_SEL _{A0}	QA Output Divider Mode (NOTE 2)	Inputs				QB Output Divider Mode	QB Multiplier (NOTE 2)
				CLK0, CLK1 (MHz) (NOTE 1)		DIV_SEL _{B1}	DIV_SEL _{B0}		
				Minimum	Maximum				
QA	0	0	÷2	110	240 (NOTE 3)	0	0	÷4	0.5
						0	1	÷6	0.333
						1	0	÷8	0.25
						1	1	÷12	0.167
QA	0	1	÷4	55	120	0	0	÷4	1
						0	1	÷6	0.667
						1	0	÷8	0.5
						1	1	÷12	0.333
QA	1	0	÷6	36.66	80	0	0	÷4	1.5
						0	1	÷6	1
						1	0	÷8	0.75
						1	1	÷12	0.5
QA	1	1	÷8	27.5	60	0	1	÷4	2
						0	1	÷6	1.333
						1	0	÷8	1
						1	1	÷12	0.667

NOTE 1: VCO frequency range is 220MHz to 480MHz.

NOTE 2: QB output frequency equal to CLKx frequency times the multiplier;

QA output frequency equal to CLKx.

NOTE 3: Maximum frequency of 240MHz valid for V_{CC} = 3.3V ± 5% only.



ICS8752I

LOW SKEW, 1-TO-8 LVCMOS CLOCK MULTIPLIER/ZERO DELAY BUFFER

ABSOLUTE MAXIMUM RATINGS

Supply Voltage, V_{DD}	4.6V
Inputs, V_I	-0.5V to $V_{DD} + 0.5V$
Outputs, V_O	-0.5V to $V_{DDO} + 0.5V$
Package Thermal Impedance, θ_{JA}	47.9°C/W (0 lfp/m)
Storage Temperature, T_{STG}	-65°C to 150°C

NOTE: Stresses beyond those listed under Absolute Maximum Ratings may cause permanent damage to the device. These ratings are stress specifications only. Functional operation of product at these conditions or any conditions beyond those listed in the *DC Characteristics* or *AC Characteristics* is not implied. Exposure to absolute maximum rating conditions for extended periods may affect product reliability.

TABLE 5A. POWER SUPPLY DC CHARACTERISTICS, $V_{DD} = V_{DDA} = V_{DDO} = 3.3V \pm 5\%$, $T_A = -40^\circ C$ TO $85^\circ C$

Symbol	Parameter	Test Conditions	Minimum	Typical	Maximum	Units
V_{DD}	Core Supply Voltage		3.135	3.3	3.465	V
V_{DDA}	Analog Supply Voltage		3.135	3.3	3.465	V
V_{DDO}	Output Supply Voltage		3.135	3.3	3.465	V
I_{DD}	Power Supply Current				105	mA
I_{DDA}	Analog Supply Current				15	mA
I_{DDO}	Output Supply Current				20	mA

TABLE 5B. POWER SUPPLY DC CHARACTERISTICS, $V_{DD} = V_{DDA} = V_{DDO} = 2.5V \pm 5\%$, $T_A = -40^\circ C$ TO $85^\circ C$

Symbol	Parameter	Test Conditions	Minimum	Typical	Maximum	Units
V_{DD}	Core Supply Voltage		2.375	2.5	2.625	V
V_{DDA}	Analog Supply Voltage		2.375	2.5	2.625	V
V_{DDO}	Output Supply Voltage		2.375	2.5	2.625	V
I_{DD}	Power Supply Current				100	mA
I_{DDA}	Analog Supply Current				15	mA
I_{DDO}	Output Supply Current				20	mA



ICS8752I

LOW SKEW, 1-TO-8 LVCMOS CLOCK MULTIPLIER/ZERO DELAY BUFFER

TABLE 5B. LVCMOS/LVTTL DC CHARACTERISTICS, $V_{DD} = V_{DDA} = V_{DDO} = 3.3V \pm 5\%$ OR $2.5V \pm 5\%$, $T_A = -40^\circ\text{C}$ TO 85°C

Symbol	Parameter	Test Conditions	Minimum	Typical	Maximum	Units
V_{IH}	Input High Voltage	$V_{DD} = 3.3V$	2		$V_{DD} + 0.3$	V
		$V_{DD} = 2.5V$	1.7		$V_{DD} + 0.3$	V
V_{IL}	Input Low Voltage	$V_{DD} = 3.3V$	-0.3		0.8	V
		$V_{DD} = 2.5V$	-0.3		0.7	V
I_{IH}	Input High Current	DIV_SELx0, DIV_SELx1, CLK0, CLK1, FB_IN, CLK_SEL, MR/nOE $V_{DD} = V_{IN} = 3.465V$ or $2.625V$			150	μA
		PLL_SEL $V_{DD} = V_{IN} = 3.465V$ or $2.625V$			5	μA
I_{IL}	Input Low Current	DIV_SELx0, DIV_SELx1, CLK0, CLK1, FB_IN, CLK_SEL, MR/nOE $V_{DD} = 3.465V$ or $2.625V$, $V_{IN} = 0V$	-5			μA
		PLL_SEL $V_{DD} = 3.465V$ or $2.625V$, $V_{IN} = 0V$	-150			μA
V_{OH}	Output High Voltage; NOTE 1	$V_{DDO} = V_{IN} = 3.465V$	2.6			V
		$V_{DDO} = V_{IN} = 2.625V$	1.8			V
V_{OL}	Output Low Voltage; NOTE 1				0.5	V

NOTE 1: Outputs terminated with 50Ω to $V_{DDO}/2$. See Parameter Measurement Information section, "Output Load Test Circuit" diagrams.

TABLE 6A. PLL INPUT REFERENCE CHARACTERISTICS, $V_{DD} = V_{DDA} = V_{DDO} = 3.3V \pm 5\%$, $T_A = -40^\circ\text{C}$ TO 85°C

Symbol	Parameter	Test Conditions	Minimum	Typical	Maximum	Units
f_{REF}	Input Reference Frequency NOTE: Input reference frequency is limited by the divider selection and the VCO lock range.		20		240	MHz

TABLE 6B. PLL INPUT REFERENCE CHARACTERISTICS, $V_{DD} = V_{DDA} = V_{DDO} = 2.5V \pm 5\%$, $T_A = -40^\circ\text{C}$ TO 85°C

Symbol	Parameter	Test Conditions	Minimum	Typical	Maximum	Units
f_{REF}	Input Reference Frequency NOTE: Input reference frequency is limited by the divider selection and the VCO lock range.		20		120	MHz



ICS8752I

LOW SKEW, 1-TO-8 LVCMOS CLOCK MULTIPLIER/ZERO DELAY BUFFER

TABLE 7A. AC CHARACTERISTICS, $V_{DD} = V_{DDA} = V_{DDO} = 3.3V \pm 5\%$, $T_A = -40^\circ C$ TO $85^\circ C$

Symbol	Parameter	Test Conditions	Minimum	Typical	Maximum	Units
f_{OUT}	Output Frequency (PLL Mode)	$\div 2$	110		240	MHz
		$\div 4$	55		120	MHz
		$\div 6$	36.67		80	MHz
		$\div 8$	27.5		60	MHz
		$\div 12$	18.33		40	MHz
f_{VCO}	PLL VCO Lock Range		220		480	MHz
$t(\emptyset)$	Static Phase Offset; NOTE 1	$f_{VCO} = 400MHz,$ Feedback $\div 8$	-30	70	170	ps
$t_{sk}(b)$	Bank Skew; NOTE 2, 4	Measured on rising edge at $V_{DDO}/2$			55	ps
$t_{sk}(o)$	Output Skew; NOTE 3, 4	Measured on rising edge at $V_{DDO}/2$			100	ps
$f_{jit}(cc)$	Cycle-to-Cycle Jitter; NOTE 4	Different Frequencies on Different Banks			400	ps
		All Outputs at Same Frequency			75	ps
t_L	PLL Lock Time				1	mS
t_R / t_F	Output Rise/Fall Time	20% to 80%	400		950	ps
odc	Output Duty Cycle		47	50	53	%

All parameters measured at f_{MAX} unless noted otherwise.

NOTE 1: Defined as the time difference between the input clock and the average feedback input signal, when the PLL is locked and the input reference frequency is stable.

NOTE 2: Defined as skew within a bank of outputs at the same supply voltages and with equal load conditions.

NOTE 3: Defined as skew between outputs at the same supply voltage and with equal load conditions. Measured at $V_{DDO}/2$.

NOTE 4: This parameter is defined in accordance with JEDEC Standard 65.



ICS8752I

LOW SKEW, 1-TO-8 LVCMOS CLOCK MULTIPLIER/ZERO DELAY BUFFER

TABLE 7B. AC CHARACTERISTICS, $V_{DD} = V_{DDA} = V_{DDO} = 2.5V \pm 5\%$, $T_A = -40^\circ C$ TO $85^\circ C$

Symbol	Parameter	Test Conditions	Minimum	Typical	Maximum	Units
f_{OUT}	Output Frequency (PLL Mode)	$\div 2$	110		240	MHz
		$\div 4$	55		120	MHz
		$\div 6$	36.67		80	MHz
		$\div 8$	27.5		60	MHz
		$\div 12$	18.33		40	MHz
f_{VCO}	PLL VCO Lock Range		220		480	MHz
$t(\emptyset)$	Static Phase Offset; NOTE 1	$f_{VCO} = 400\text{MHz}$ Feedback $\div 8$	-90	50	190	ps
$t_{sk}(b)$	Bank Skew; NOTE 2, 4	Measured on rising edge at $V_{DDO}/2$			55	ps
$t_{sk}(o)$	Output Skew; NOTE 3, 4	Measured on rising edge at $V_{DDO}/2$			90	ps
$f_{jit}(cc)$	Cycle-to-Cycle Jitter; NOTE 4	Different Frequencies on Different Banks			400	ps
		All Outputs at Same Frequency			75	ps
t_L	PLL Lock Time				1	mS
t_R / t_F	Output Rise/Fall Time	20% to 80%	400		950	ps
odc	Output Duty Cycle		45	50	55	%

All parameters measured at f_{MAX} unless noted otherwise.

NOTE 1: Defined as the time difference between the input clock and the average feedback input signal, when the PLL is locked and the input reference frequency is stable.

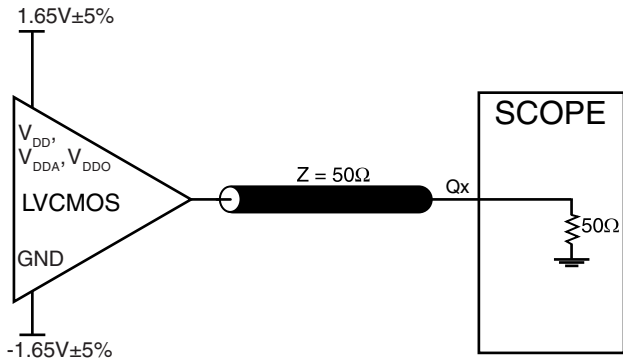
NOTE 2: Defined as skew within a bank of outputs at the same supply voltages and with equal load conditions.

NOTE 3: Defined as skew between outputs at the same supply voltage and with equal load conditions.

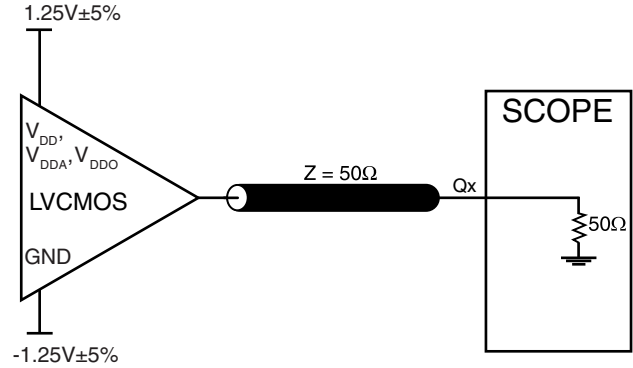
Measured at $V_{DDO}/2$.

NOTE 4: This parameter is defined in accordance with JEDEC Standard 65.

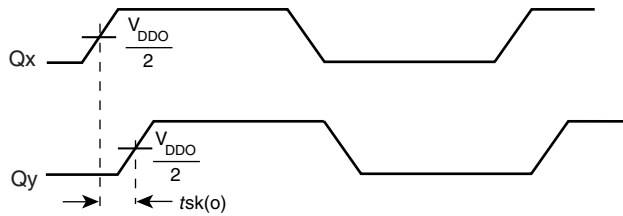
PARAMETER MEASUREMENT INFORMATION



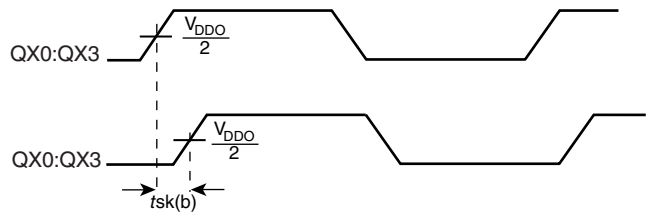
3.3V OUTPUT LOAD AC TEST CIRCUIT
(Where X denotes outputs in the same Bank)



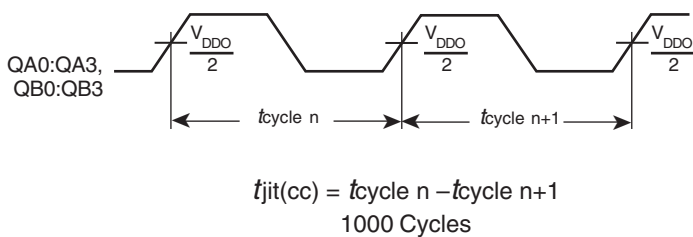
2.5V OUTPUT LOAD AC TEST CIRCUIT



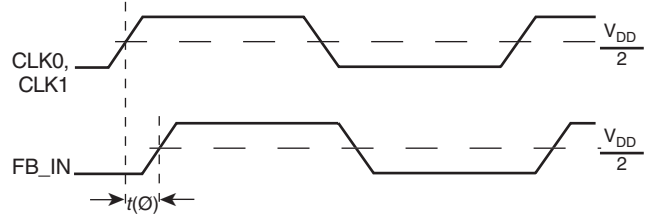
OUTPUT SKEW



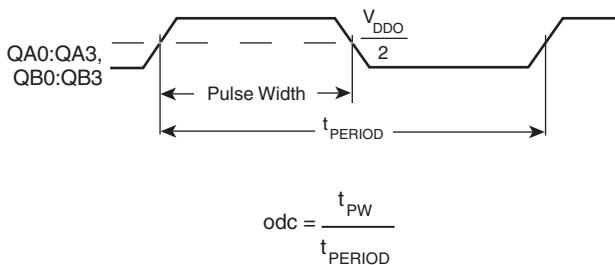
BANK SKEW



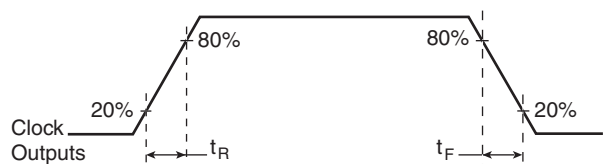
CYCLE-TO-CYCLE JITTER



STATIC PHASE OFFSET



OUTPUT DUTY CYCLE/PULSE WIDTH/PERIOD



OUTPUT RISE/FALL TIME



RELIABILITY INFORMATION

TABLE 7. θ_{JA} VS. AIR FLOW TABLE FOR 32 LEAD LQFP

θ_{JA} by Velocity (Linear Feet per Minute)			
	0	200	500
Single-Layer PCB, JEDEC Standard Test Boards	67.8°C/W	55.9°C/W	50.1°C/W
Multi-Layer PCB, JEDEC Standard Test Boards	47.9°C/W	42.1°C/W	39.4°C/W

NOTE: Most modern PCB designs use multi-layered boards. The data in the second row pertains to most designs.

TRANSISTOR COUNT

The transistor count for ICS8752I is: 1546

PACKAGE OUTLINE - Y SUFFIX FOR 32 LEAD LQFP

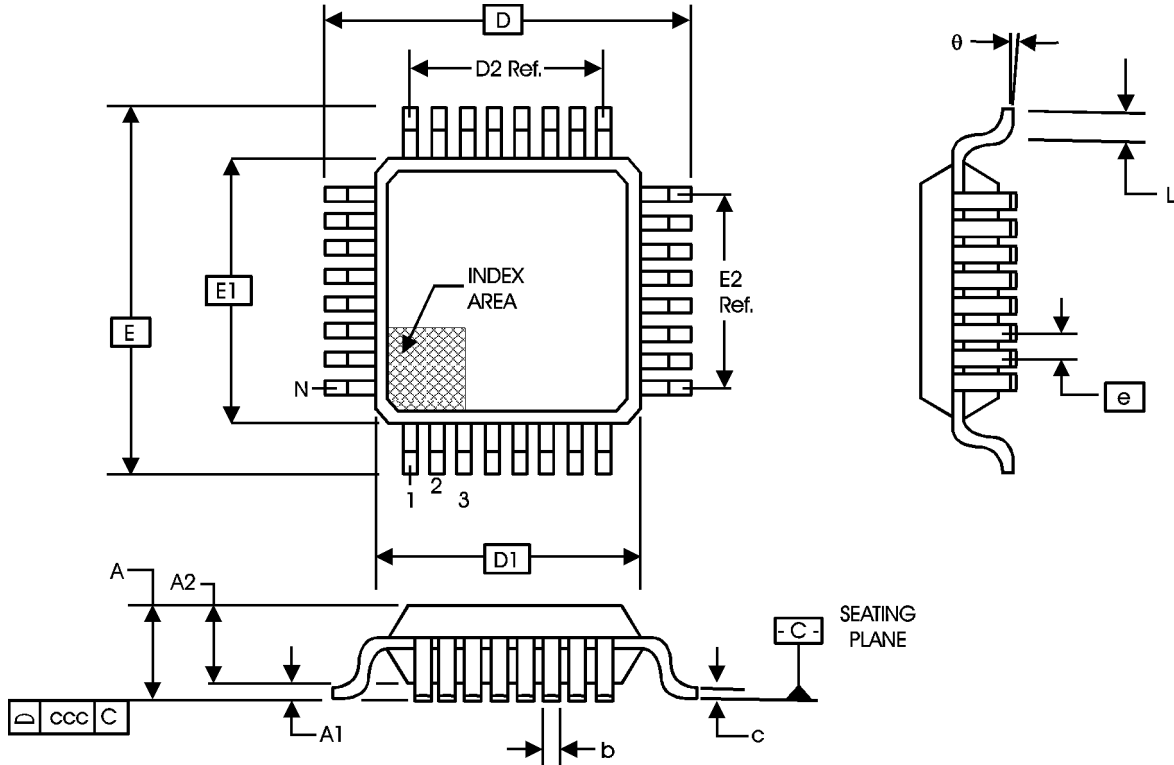


TABLE 8. PACKAGE DIMENSIONS

JEDEC VARIATION ALL DIMENSIONS IN MILLIMETERS			
SYMBOL	BBA		
	MINIMUM	NOMINAL	MAXIMUM
N	32		
A	--	--	1.60
A1	0.05	--	0.15
A2	1.35	1.40	1.45
b	0.30	0.37	0.45
c	0.09	--	0.20
D	9.00 BASIC		
D1	7.00 BASIC		
D2	5.60 Ref.		
E	9.00 BASIC		
E1	7.00 BASIC		
E2	5.60 Ref.		
e	0.80 BASIC		
L	0.45	0.60	0.75
theta	0°	--	7°
ccc	--	--	0.10

Reference Document: JEDEC Publication 95, MS-026



ICS8752I
Low SKEW, 1-TO-8
LVCMOS CLOCK MULTIPLIER/ZERO DELAY BUFFER

TABLE 9. ORDERING INFORMATION

Part/Order Number	Marking	Package	Shipping Packaging	Temperature
8752CYI	ICS8752CYI	32 Lead LQFP	tray	-40°C to 85°C
8752CYIT	ICS8752CYI	32 Lead LQFP	1000 tape & reel	-40°C to 85°C
8752CYILF	ICS8752CYILF	32 Lead "Lead-Free" LQFP	tray	-40°C to 85°C
8752CYILFT	ICS8752CYILF	32 Lead "Lead-Free" LQFP	1000 tape & reel	-40°C to 85°C

NOTE: Parts that are ordered with an "LF" suffix to the part number are the Pb-Free configuration and are RoHS compliant.

While the information presented herein has been checked for both accuracy and reliability, Integrated Device Technology, Inc. (IDT) assumes no responsibility for either its use or for infringement of any patents or other rights of third parties, which would result from its use. No other circuits, patents, or licenses are implied. This product is intended for use in normal commercial and industrial applications. Any other applications such as those requiring high reliability, or other extraordinary environmental requirements are not recommended without additional processing by IDT. IDT reserves the right to change any circuitry or specifications without notice. IDT does not authorize or warrant any IDT product for use in life support devices or critical medical instruments.



ICS8752I
LOW SKEW, 1-TO-8
LVCMOS CLOCK MULTIPLIER/ZERO DELAY BUFFER

REVISION HISTORY SHEET				
Rev	Table	Page	Description of Change	Date
A	7A & 7B	6 & 8	AC Characteristics tables, Static Phase Offset/Test Conditions - changed Feedback ÷ 4 to Feedback ÷ 8.	6/17/02
	7B	8	Bank Skew should read 55ps Max. from 40ps Max.	
A	1	2	Pin Description Table - revised MR/nOE description.	8/19/02
B	T1 T2 T9	1	Features Section - added Lead-Free Bullet	5/2/05
		2	Pin Description Table - correct Pin 5, MR/nOE.	
		2	Pin Characteristics Table - changed C _{IN} from 4pF max. to 4pF typical.	
		12	Added Lead-Free part number. Updated datasheet format.	
C	T9	12	Updated datasheet's header/footer with IDT from ICS.	7/30/10
		14	Removed ICS prefix from Part/Order Number column. Added LF marking. Added Contact Page.	



ICS8752I
LOW SKEW, 1-TO-8
LVCMOS CLOCK MULTIPLIER/ZERO DELAY BUFFER

We've Got Your Timing Solution.



6024 Silver Creek Valley Road
San Jose, CA 95138

Sales
800-345-7015 (inside USA)
+408-284-8200 (outside USA)
Fax: 408-284-2775

Tech Support
netcom@idt.com