

PLEASE CHECK WWW.MOLEX.COM FOR LATEST PART INFORMATION

Part Number: [039500007](#)
Status: **Active**
Description: 3.50mm (.138") Pitch Eurostyle™ Horizontal Plug, 7 Circuits

Documents:

[3D Model](#) [Product Specification PS-39500-001 \(PDF\)](#)
[Drawing \(PDF\)](#) [RoHS Certificate of Compliance \(PDF\)](#)

General

Product Family	Terminal Blocks
Series	39500
Application	Wire-to-Board
Component Type	Plug
Product Literature Order No	USA-355
Product Name	ESE, Eurostyle™ Pluggable
Type	Euro Block

Physical

Circuits (Loaded)	7
Entry Angle	Vertical
Lock to Mating Part	None
Number of Rows	1
Orientation	Horizontal
Panel Mount	No
Pitch - Mating Interface (in)	0.138 In
Pitch - Mating Interface (mm)	3.50 mm
Polarized to Mating Part	Yes
Stackable	No
Temperature Range - Operating	-40°C to +105°C
Wire Size AWG	16, 18, 20, 22, 24
Wire Size mm²	0.20 - 1.31

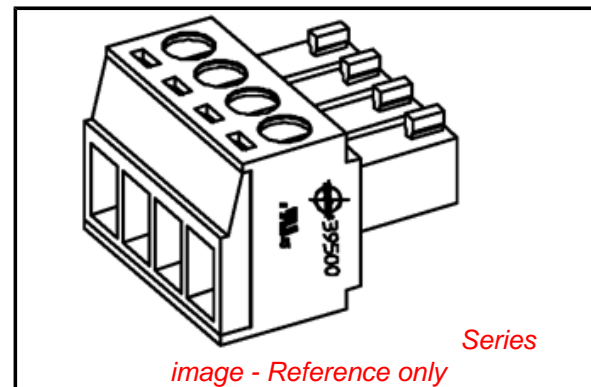
Electrical

Current - Maximum per Contact	8A
Voltage - Maximum	300V

Material Info

Reference - Drawing Numbers

Product Specification	PS-39500-001
Sales Drawing	SD-39500-001



EU RoHS

**ELV and RoHS
Compliant**
REACH SVHC
 Not Reviewed
**Halogen-Free
Status**

China RoHS



Not Reviewed

**Need more information on product
environmental compliance?**

Email productcompliance@molex.com
 For a multiple part number RoHS Certificate of
 Compliance, [click here](#)

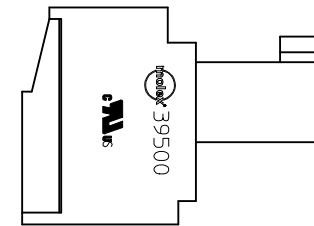
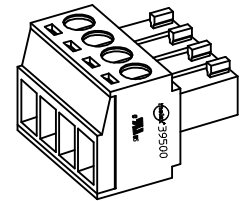
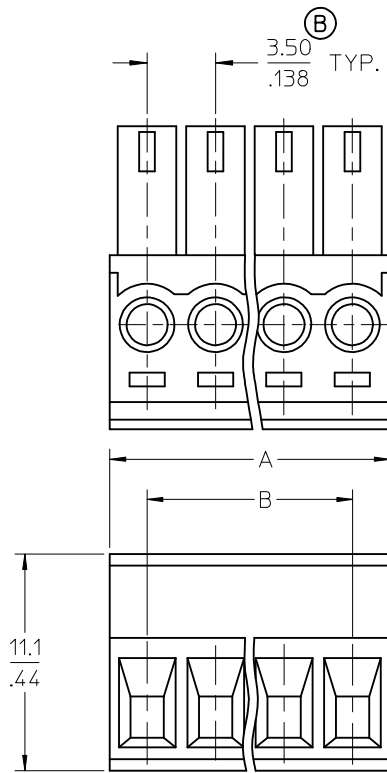
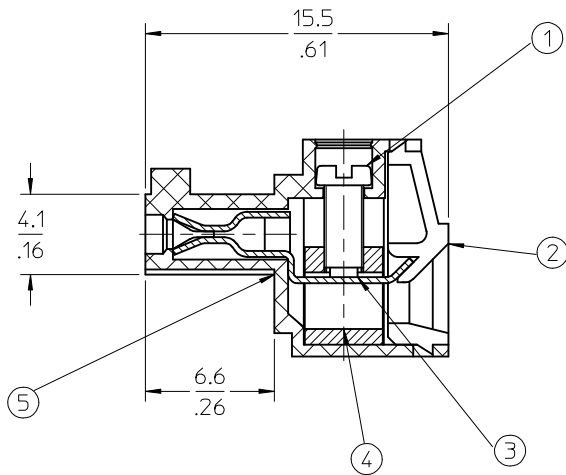
Please visit the [Contact Us](#) section for any
 non-product compliance questions.

Search Parts in this Series

[39500Series](#)

Mates With

[39501](#) Vertical PCB Header, [39502](#)
 Horizontal PCB Header, Most 3.50mm
 (.138") Pitch Industry Standard PCB
 Headers



SPECIFICATIONS:

1. MATERIAL:

- (1). SCREW: STEEL.
- (2). BODY: NYLON 66 (PA 66).
- (3). TERMINAL: BRASS
- (4). CAGE (*): BRASS
- (5). COVER: NYLON 66 (PA 66).

(B) 2. PRODUCT SPECIFICATION: PS-39500-001.

3. WIRE RANGE: 30 - 16AWG.

4. TORQUE: 2 in.-lbs.

5. WIRE STRIP LENGTH: 6.50/.256.

6. NUMBER OF CIRCUIT POSITIONS AVAILABLE = 2 THROUGH 20.

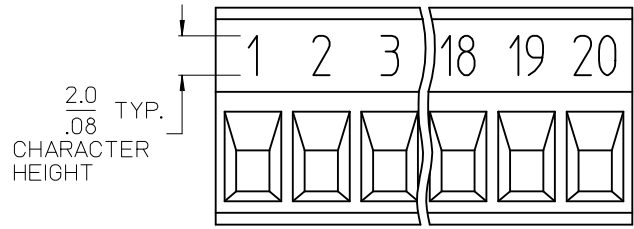
(B) 7. ASSEMBLY IS ROHS COMPLIANT BY EXEMPTION.

COMPONENTS MARKED WITH AN ASTERISK (*) ARE ROHS COMPLIANT BY EXEMPTION, ALL OTHERS ARE ROHS COMPLIANT.

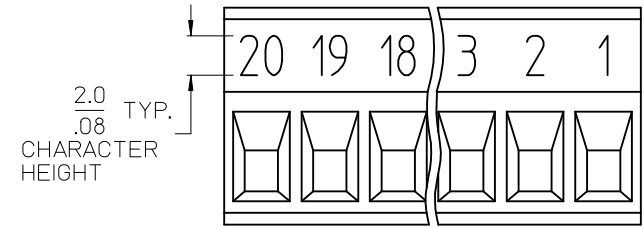
ADD IMPRINTING EC NO: WNA2009-0618 DRAWN BY: LROTHAUS CHKD: C. YORK APPR: RDEROSS	DESCRIPTION 2009/04/29 2009/04/30 2009/05/01	QUALITY SYMBOLS	GENERAL TOLERANCES (UNLESS SPECIFIED)	DIMENSION STYLE	SCALE	DESIGN UNITS	THIRD ANGLE PROJECTION
		▼=0 ▽=0	mm INCH 4 PLACES ± --- ± .0015 3 PLACES ± 0.038 ± .005 2 PLACES ± 0.13 ± .01 1 PLACE ± 0.3 ± --- ANGULAR ± 2 °	MM/IN DRAWN BY DATE LROTHAUS 12/06/05 CHECKED BY DATE C. YORK 01/06/06 APPROVED BY DATE J. PAWLICKI 01/10/06	4:1 INCH	MOLEX INCORPORATED	
		DRAFT WHERE APPLICABLE MUST REMAIN WITHIN DIMENSIONS	MATERIAL NO. SEE CHART	DOCUMENT NO. SD-39500-001	SHEET NO. 1 OF 2		
		THIS DRAWING CONTAINS INFORMATION THAT IS PROPRIETARY TO MOLEX INCORPORATED AND SHOULD NOT BE USED WITHOUT WRITTEN PERMISSION					

10 9 8 7 6 5 4 3 2 1

Circuit size	Material Numbers												Dimensional Information			
	Black						Green									
	100% Tin			30 u" Gold			100% Tin			30 u" Gold			Dim. A		Dim B	
	Printing Options			Printing Options			Printing Options			Printing Options						
None	10A	11A	None	10A	11A	None	10A	11A	None	10A	11A	mm	inch	mm	inch	
2	39500002	39500102	39500202	39500502	39500602	39500702	39500502	395005102	395005202	395005502	395005602	395005702	7.80	0.307	3.50	0.138
3	39500003	39500103	39500203	39500503	39500603	39500703	39500503	395005103	395005203	395005503	395005603	395005703	11.30	0.445	7.00	0.276
4	39500004	39500104	39500204	39500504	39500604	39500704	39500504	395005104	395005204	395005504	395005604	395005704	14.80	0.583	10.50	0.413
5	39500005	39500105	39500205	39500505	39500605	39500705	39500505	395005105	395005205	395005505	395005605	395005705	18.30	0.720	14.00	0.551
6	39500006	39500106	39500206	39500506	39500606	39500706	39500506	395005106	395005206	395005506	395005606	395005706	21.80	0.858	17.50	0.689
7	39500007	39500107	39500207	39500507	39500607	39500707	39500507	395005107	395005207	395005507	395005607	395005707	25.30	0.996	21.00	0.827
8	39500008	39500108	39500208	39500508	39500608	39500708	39500508	395005108	395005208	395005508	395005608	395005708	28.80	1.134	24.50	0.965
9	39500009	39500109	39500209	39500509	39500609	39500709	39500509	395005109	395005209	395005509	395005609	395005709	32.30	1.272	28.00	1.102
10	39500010	39500110	39500210	39500510	39500610	39500710	39500510	395005110	395005210	395005510	395005610	395005710	35.80	1.409	31.50	1.240
11	39500011	39500111	39500211	39500511	39500611	39500711	39500511	395005111	395005211	395005511	395005611	395005711	39.30	1.547	35.00	1.378
12	39500012	39500112	39500212	39500512	39500612	39500712	39500512	395005112	395005212	395005512	395005612	395005712	42.80	1.685	38.50	1.516
13	39500013	39500113	39500213	39500513	39500613	39500713	39500513	395005113	395005213	395005513	395005613	395005713	46.30	1.823	42.00	1.654
14	39500014	39500114	39500214	39500514	39500614	39500714	39500514	395005114	395005214	395005514	395005614	395005714	49.80	1.961	45.50	1.791
15	39500015	39500115	39500215	39500515	39500615	39500715	39500515	395005115	395005215	395005515	395005615	395005715	53.30	2.098	49.00	1.929
16	39500016	39500116	39500216	39500516	39500616	39500716	39500516	395005116	395005216	395005516	395005616	395005716	56.80	2.236	52.50	2.067
17	39500017	39500117	39500217	39500517	39500617	39500717	39500517	395005117	395005217	395005517	395005617	395005717	60.30	2.374	56.00	2.205
18	39500018	39500118	39500218	39500518	39500618	39500718	39500518	395005118	395005218	395005518	395005618	395005718	63.80	2.512	59.50	2.343
19	39500019	39500119	39500219	39500519	39500619	39500719	39500519	395005119	395005219	395005519	395005619	395005719	67.30	2.650	63.00	2.480
20	39500020	39500120	39500220	39500520	39500620	39500720	39500520	395005120	395005220	395005520	395005620	395005720	70.80	2.787	66.50	2.618



Ⓑ 10A IMPRINTING



Ⓑ 11A IMPRINTING

SEE SHEET 1 EC NO: WNAZ009-0618 DRAWN: C. YORK 2009/04/29 CHKD: R. ROSS 2009/04/30 APPR: R. ROSS 2009/05/01 B	QUALITY SYMBOLS ▽=0 ▽=0	GENERAL TOLERANCES (UNLESS SPECIFIED) <table border="1"> <tr><th colspan="2">mm</th><th colspan="2">INCH</th></tr> <tr><td>4 PLACES</td><td>± ---</td><td>± .0015</td><td></td></tr> <tr><td>3 PLACES</td><td>± 0.038</td><td>± .005</td><td></td></tr> <tr><td>2 PLACES</td><td>± 0.13</td><td>± .01</td><td></td></tr> <tr><td>1 PLACE</td><td>± 0.3</td><td>± ---</td><td></td></tr> </table>	mm		INCH		4 PLACES	± ---	± .0015		3 PLACES	± 0.038	± .005		2 PLACES	± 0.13	± .01		1 PLACE	± 0.3	± ---		DIMENSION STYLE MM/IN	SCALE 4:1	DESIGN UNITS INCH	THIRD ANGLE PROJECTION
	mm		INCH																							
	4 PLACES	± ---	± .0015																							
	3 PLACES	± 0.038	± .005																							
2 PLACES	± 0.13	± .01																								
1 PLACE	± 0.3	± ---																								
DRAWN BY LROTHAUS	DATE 12/6/05	TITLE 3.50MM, EURO TERM. BLOCK RIGHT ANGLE, PLUG																								
CHECKED BY C. YORK	DATE 01/06/06	APPROVED BY J. PAWLICKI																								
DATE 01/10/06	MATERIAL NO. SEE CHART	DOCUMENT NO. SD-39500-001	SHEET NO. 2 OF 2																							
DRAFT WHERE APPLICABLE MUST REMAIN WITHIN DIMENSIONS																										
THIS DRAWING CONTAINS INFORMATION THAT IS PROPRIETARY TO MOLEX INCORPORATED AND SHOULD NOT BE USED WITHOUT WRITTEN PERMISSION																										

9 8 7 6 5 4 3 2 1