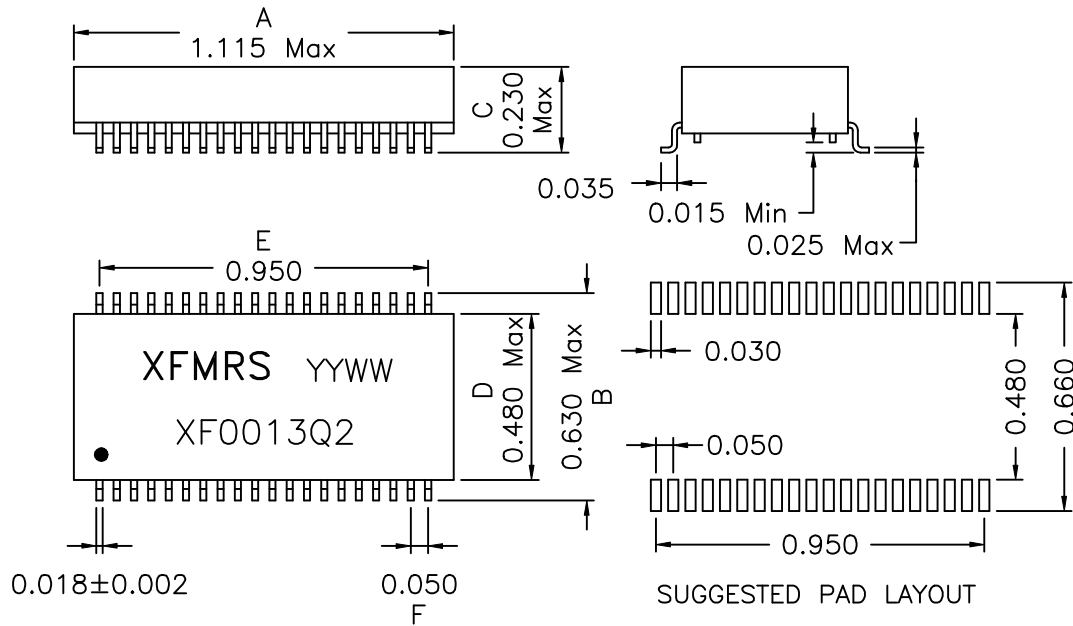
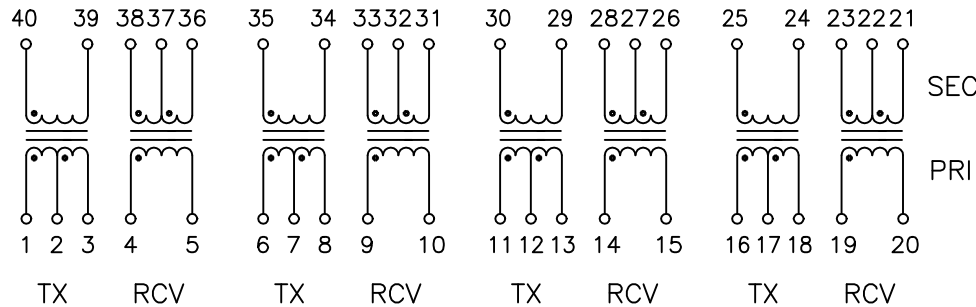


1. Dimensions:



2. Schematic:



DOC. REV: A/1

3. Electrical Specifications: @25°C

Isolation: 1500 Vrms (PRI to SEC)

TX Turns Ratio: 1CT:1.41 ±3% (PRI:SEC)

RCV Turns Ratio: 1.41:1CT ±3% (PRI:SEC)

TX PRI OCL: 1.20mH Minimum @100KHz 50mV

RCV SEC OCL: 1.20mH Minimum @100KHz 50mV

Cw/w: 35pF Maximum @100KHz 50mV (PRI/SEC)

TX PRI LL: 0.8uH Maximum @100KHz 50mV

(SEC Shorted)

RCV SEC LL: 0.8uH Maximum @100KHz 50mV

(PRI Shorted)

TX PRI DCR: 0.9 Ohms Maximum

TX SEC DCR: 1.3 Ohms Maximum

RCV PRI DCR: 1.3 Ohms Maximum

RCV SEC DCR: 0.9 Ohms Maximum

Notes:

1. Solderability: Leads shall meet MIL-STD-202, Method 208D for solderability.
2. Flammability: UL94V-0
3. ASTM oxygen index: > 28%
4. Insulation System: Class F 155°C. UL file E151556
5. Operating Temperature Range: -40°C to +85°C

XFMRS Inc UNLESS OTHERWISE SPECIFIED TOLERANCES: .xxx ±0.010 Dimensions in INCH SHEET 1 OF 1	Title: T1/E1/CEPT QUAD PORT		
	P/N: XF0013Q2		REV. A
	DWN.	李小锋	Jan-22-02
	CHK.	廖玉坤	Jan-22-02
	APP.	Isaiah M	Jan-22-02