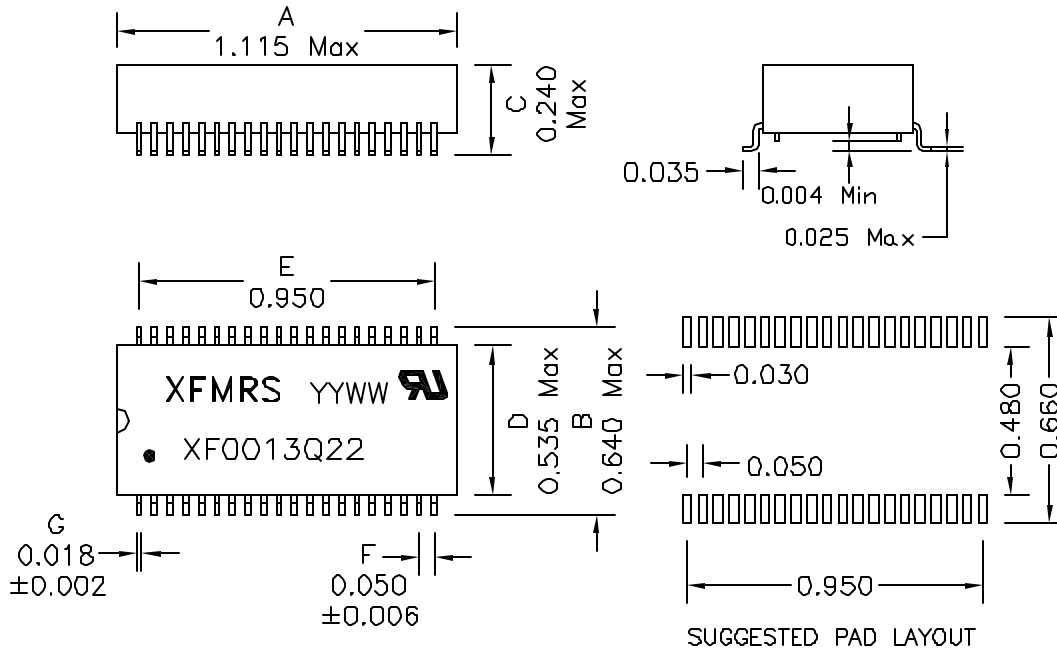
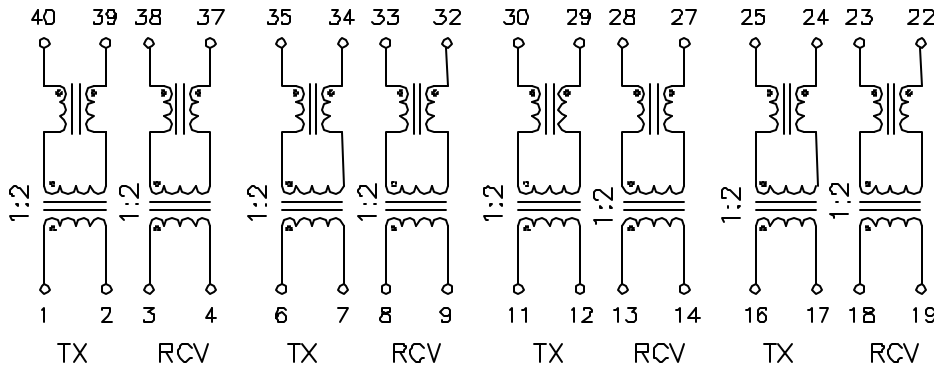


### 1. Mechanical Dimensions:



### 2. Schematic:



DOC REV: A/17

### 3. Electrical Specifications: @25°C

- ISOLATION: 1500Vrms, PRI to SEC
- URNS RATIO (TX): (PRI:SEC)=1:2
- URNS RATIO (RCV): (PRI:SEC)=1:2
- PRI OCL: 1.50mH Typ @100KHz 50mV
- PRI Q : tbd Min @100KHz 50mV
- Cw/w: 35pF Max @100KHz 50mV (PRI/SEC)
- PRI LL: 0.5uH Max @100KHz 50mV (short sec)
- PRI DCR: 0.800 Ohms Max
- CROSSTALK: -60dB Typ @0.5MHz to 5MHz
- CHQKE OCL: 30uH Typ @100KHz 50mV

#### Notes:

1. Solderability: Leads shall meet MIL-STD-202G, Method 208B for solderability.
2. Flammability: UL94V-0
3. ASTM oxygen index: > 28%
4. Insulation System: Class F 155°C, UL file E151556
5. Operating Temperature Range: All listed parameters are to be within tolerance from -40°C to +85°C
6. Storage Temperature Range: -55°C to +125°C
7. Aqueous wash compatible
8. SMD Lead Coplanarity: ±0.004"(0.102mm)
9. Electrical and mechanical specifications 100% tested
10. RoHS Compliant Component

<b>XFMRS Inc</b> <a href="http://www.XFMRS.com">www.XFMRS.com</a>	Title: T1/E1/CEPT QUAD PORT		
	UNLESS OTHERWISE SPECIFIED TOLERANCES:		
.xxx ±0.010	P/N: XFO013Q22	REV. A	
Dimensions in INCH	DWN.	Juan Mao	Jul-04-08
	CHK.	YK Liao	Jul-04-08
SHEET 1 OF 1	APP.	Joe Huff	Jul-04-08