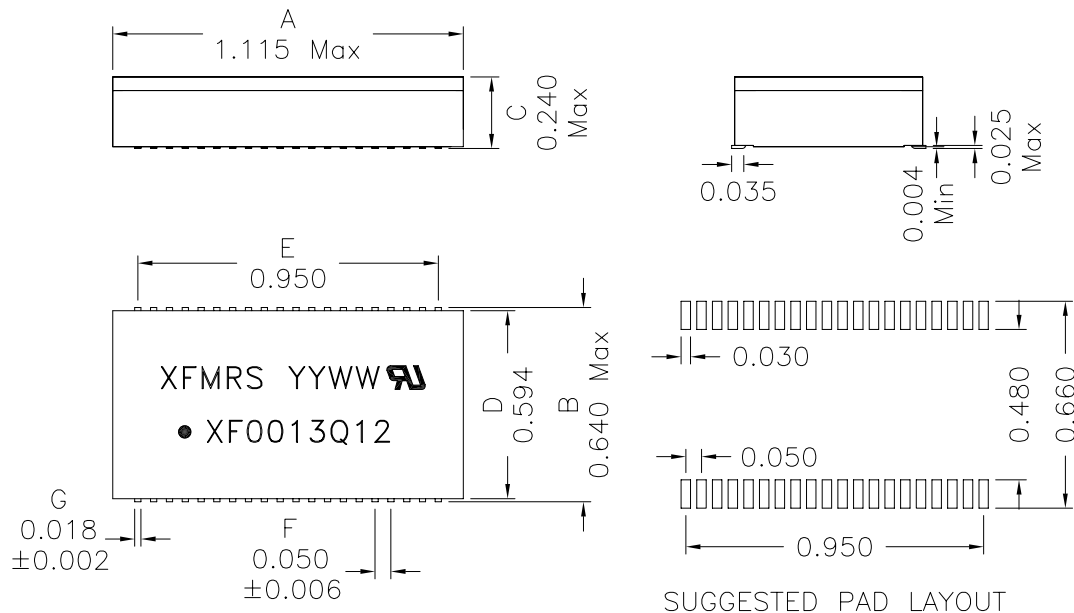


1. Mechanical Dimensions:

Conditions: @25°C



RCV Turns Ratio: 1CT:1 ±3% (PRI)

RCV PRI OCL: 1.20mH Minimum @100KHz 50mV

(SEC Shorted)

RCV PRI LL: 0.6uH Maximum @100KHz 50mV

(SEC Shorted)

CMRR: -70dB Min (150KHz-1GHz)

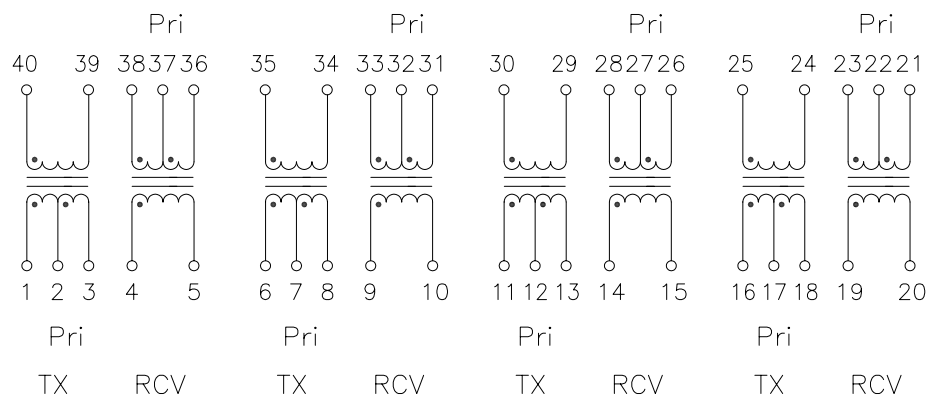
Return Loss: 12dB Min @0.3-5MHz

Insertion Loss: 1.2dB Max @0.3-5MHz

Longitudinal Balance: TBD

Q: 5 Min @10KHz 50mV

2. Schematic:



Notes:

1. Solderability: Leads shall meet MIL-STD-202G, Method 208H for solderability.
2. Flammability: UL94V-0
3. ASTM oxygen index: > 28%
4. Insulation System: Class F 155°C. UL file E151556
5. Operating Temperature Range: All listed parameters are to be within tolerance from -40°C to +85°C
6. Storage Temperature Range: -55°C to +125°C
7. Aqueous wash compatible
8. SMD Lead Coplanarity: ±0.004*(0.102mm)
9. Electrical and mechanical specifications 100% tested
10. RoHS Compliant Component

DOC. REV: B/1

XFMR5 Inc www.XFMR5.com	Title: T1/E1/CEPT QUAD PORT		
	UNLESS OTHERWISE SPECIFIED TOLERANCES:		REV. B
.xxx ±0.010	P/N: XF0013Q12	DWN.	Feng
Dimensions in INCH	CHK.	YK Liao	Aug-19-11
SHT 1 OF 1	APP.	BW	Aug-19-11

PROPRIETARY

Document is the property of XFMR5 Group & is not allowed to be duplicated without authorization.