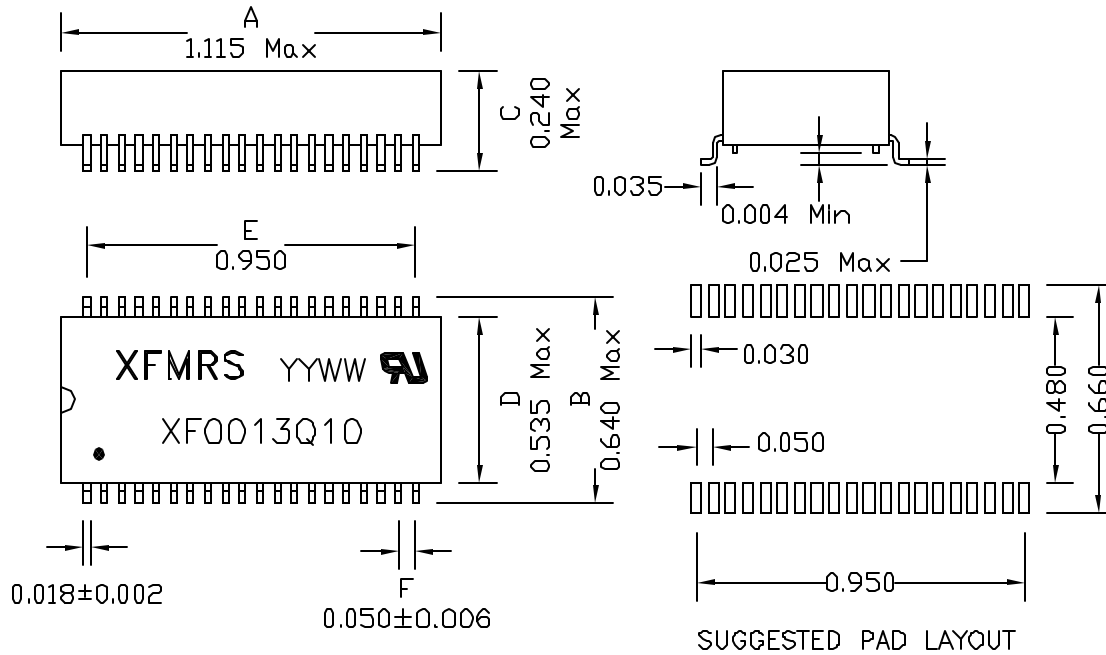
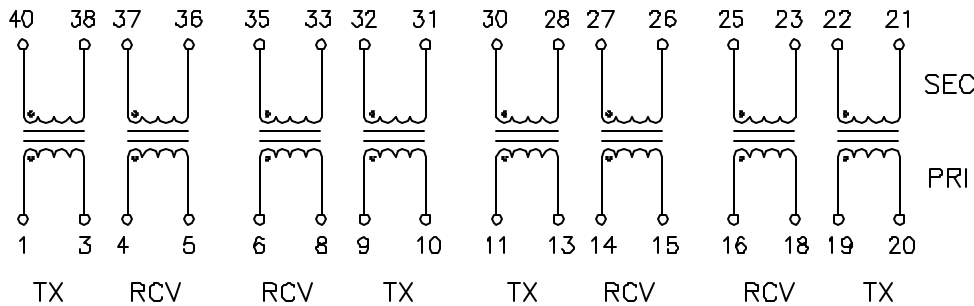


1. Mechanical Dimensions:



2. Schematic:



3. Electrical Specifications: @25°C

- Isolation: 1500 Vrms (PRI to SEC)
- TX Turns Ratio: 1:1.15 ± 3% (PRI:SEC)
- RCV Turns Ratio: 1:1.15 ± 3% (PRI:SEC)
- TX PRI OCL: 1.20mH Minimum @100KHz 50mV
- RCV PRI OCL: 1.20mH Minimum @100KHz 50mV
- Cw/w: 35pF Maximum @100KHz 50mV (PRI/SEC)
- TX PRI LL: 0.8uH Maximum @100KHz 50mV (SEC Shorted)
- RCV PRI LL: 0.8uH Maximum @100KHz 50mV (SEC Shorted)
- CROSSTALK: -65dB TYP

Notes:

- Solderability: Leads shall meet MIL-STD-202G, Method 208H for solderability.
- Flammability: UL94V-0
- ASTM oxygen index: > 28%
- Insulation System: Class F 155°C. UL file E151558
- Operating Temperature Range: All listed parameters are to be within tolerance from -40°C to +85°C
- Storage Temperature Range: -55°C to +125°C
- Aqueous wash compatible
- SMD Lead Coplanarity: ±0.004" (0.102mm)
- Electrical and mechanical specifications 100% tested
- RoHS Compliant Component

XFMRs Inc www.XFMRs.com	Title: T1/E1/CEPT QUAD PORT		
	UNLESS OTHERWISE SPECIFIED	P/N: XF0013Q10	REV. A
TOLERANCES: .xxx ±0.010	DWN.	Juan Mao	Dec-03-07
Dimensions in INCH	CHK.	YK Liao	Dec-03-07
SHEET 1 OF 1	APP.	MS	Dec-03-07

DOC. REV: A/2