

Copy

Fax

# PORTNOTE<sup>®</sup> SOLUTIONS

## RJ11 Fax/Modem (FXO)

### Solution Products



TISP4350T3BJR-S



B1250T



CD2320-B1600

### Design Kit



PN-DESIGNKIT 8

### Objective

In telecommunications, foreign exchange office (FXO) designates a telephone signaling interface that receives plain old telephone service (POTS). This solution protects those interfaces against surge and power contact threats.

### Solution

- 1 Thyristor: TISP4350T3BJR-S
- 1 Telecom Fuse: B1250T
- 1 Diode Bridge: CD2320-B1600

### Compliance

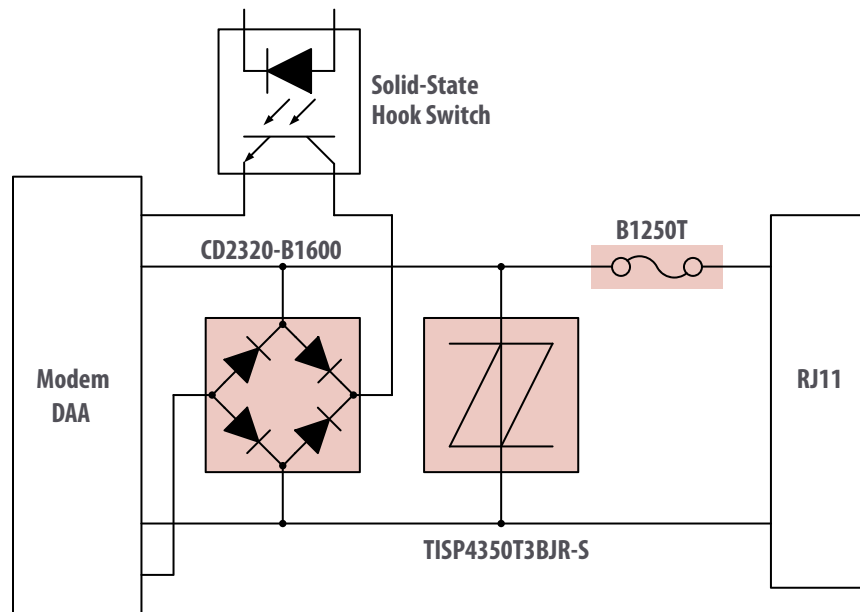
ITU-T K.21, IEC 60950, UL 60950 and TIA-968A

### Alternate Recommendations

*The TISP4310T3 should be considered for some "B" type ringers or for ITU-T Enhanced testing; consult with your local Bourns representative.*

### Benefit

This solution provides a high level of protection within a small amount of PCB area.



*The schematic above illustrates the application protection and does not constitute the complete circuit design. Customers should verify actual device performance in their specific applications.*

# BOURNS<sup>®</sup>

Americas: Tel +1-951 781-5500  
Fax +1-951 781-5700

Europe: Tel +41-(0)41 768 55 55  
Fax +41-(0)41 768 55 10

Asia-Pacific: Tel +886-2 256 241 17  
Fax +886-2 256 241 16

Bourns<sup>®</sup> PortNote<sup>®</sup> solutions provide protection recommendations for typical port threats.

For more information, go to:

[www.bourns.com](http://www.bourns.com)

or email: [protection@bourns.com](mailto:protection@bourns.com)