

**PLEASE CHECK WWW.MOLEX.COM FOR LATEST PART INFORMATION**

**Part Number:** [0674903230](#)  
**Status:** **Active**  
**Overview:** [serial\\_ata\\_products](#)  
**Description:** 1.27mm (.050") Pitch Serial ATA Header, Reverse Type, Surface Mount, Right Angle, 7 Circuits, without Mylar, Gold (Au) Flash Plating, Tape and Reel Package, Lead-free

**Documents:**

[3D Model](#) [Product Specification PS-67490-001 \(PDF\)](#)  
[Drawing \(PDF\)](#) [RoHS Certificate of Compliance \(PDF\)](#)

**General**

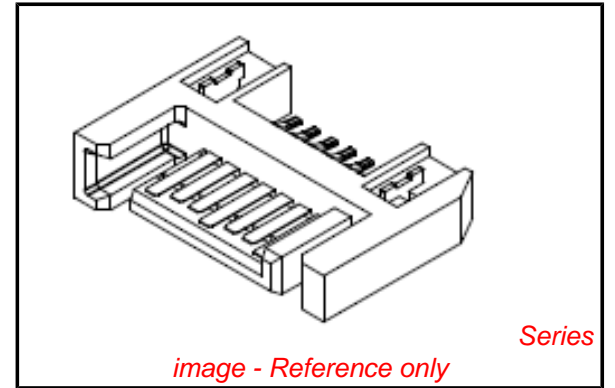
Product Family	PCB Headers
Series	<a href="#">67490</a>
Application	Board-to-Board, Wire-to-Board
Comments	Reverse Type Without Mylar
Overview	<a href="#">serial_ata_products</a>
Product Name	Serial ATA

**Physical**

Breakaway	No
Circuits (Loaded)	7
Circuits (maximum)	7
Color - Resin	Black
Durability (mating cycles max)	50
First Mate / Last Break	Yes
Glow-Wire Compliant	No
Guide to Mating Part	Yes
Keying to Mating Part	Yes
Lock to Mating Part	No
Material - Plating Mating	Gold
Material - Plating Termination	Tin
Material - Resin	High Temperature Thermoplastic
Number of Rows	1
Orientation	Right Angle
PCB Locator	No
PCB Retention	Yes
PCB Thickness Recommended (in)	0.062 In
PCB Thickness Recommended (mm)	1.60 mm
Packaging Type	Embossed Tape on Reel
Pitch - Mating Interface (in)	0.050 In
Pitch - Mating Interface (mm)	1.27 mm
Pitch - Term. Interface (in)	0.050 In
Pitch - Term. Interface (mm)	1.27 mm
Plating min: Mating (µin)	2
Plating min: Mating (µm)	0.05
Plating min: Termination (µin)	50.8
Plating min: Termination (µm)	1.27
Polarized to Mating Part	No
Shrouded	No
Stackable	No
Temperature Range - Operating	-35°C to +85°C
Termination Interface: Style	Surface Mount

**Electrical**

Current - Maximum per Contact	1.5A
Voltage - Maximum	15V DC



**EU RoHS**

**ELV and RoHS  
Compliant**  
**REACH SVHC  
Not Reviewed**  
**Halogen-Free  
Status**

**China RoHS**



**Need more information on product  
environmental compliance?**

Email [productcompliance@molex.com](mailto:productcompliance@molex.com)  
 For a multiple part number RoHS Certificate of Compliance, [click here](#)

Please visit the [Contact Us](#) section for any non-product compliance questions.

**Search Parts in this Series**

[67490Series](#)

**Mates With**

Serial ATA Signal Connector [67489](#) , [88755](#)

**Material Info**

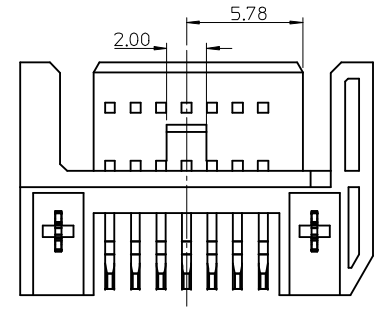
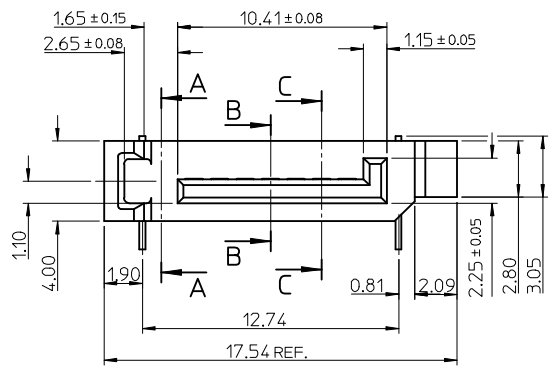
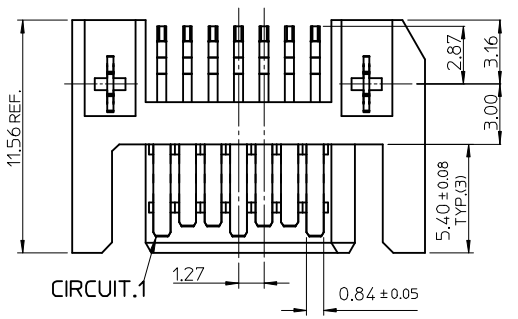
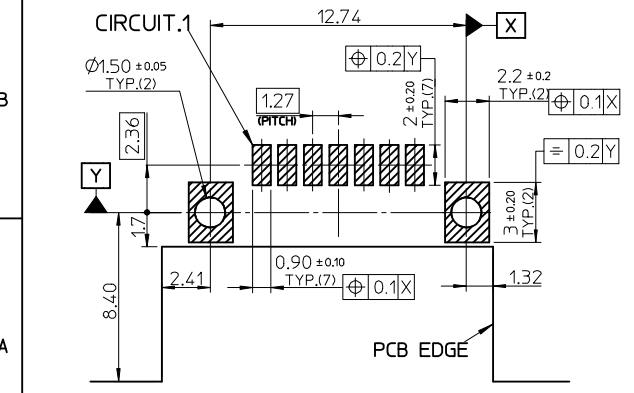
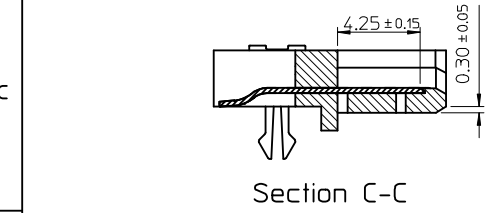
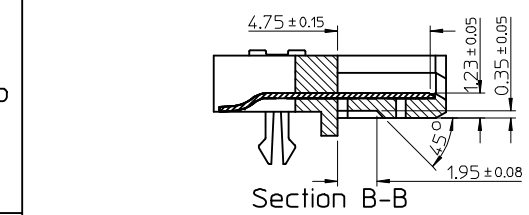
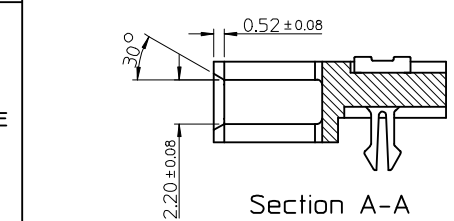
**Reference - Drawing Numbers**

Packaging Specification	PK-67490-005
Product Specification	PS-67490-001
Sales Drawing	SD-67490-001

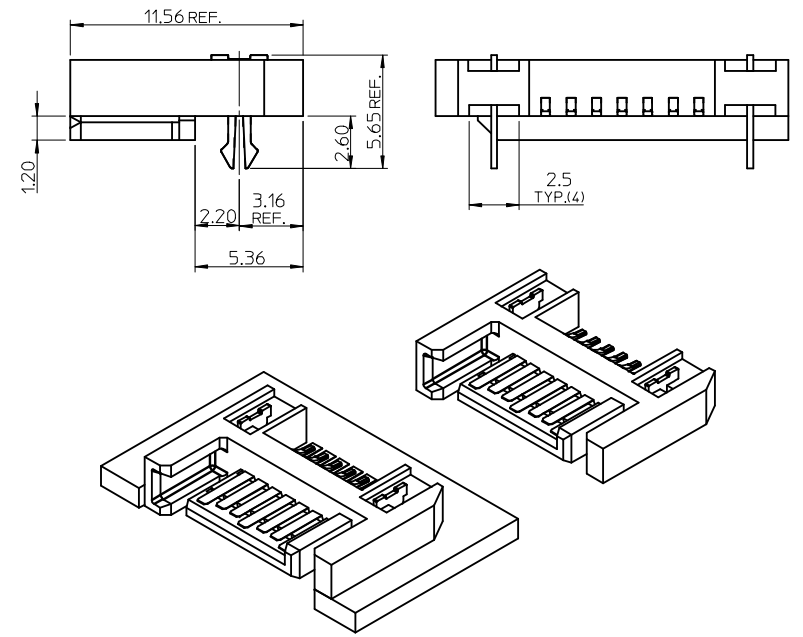
This document was generated on 05/25/2010

**PLEASE CHECK [WWW.MOLEX.COM](http://WWW.MOLEX.COM) FOR LATEST PART INFORMATION**

P/N	CONTACT AREA PLATING	REMARK	△PACKAGE
67490-3220	GOLD FLASH		
67490-3221	0.76 MICRONS GOLD PLATED	PURE TIN	PK-67490-001 (TRAY)
67490-3225	0.38 MICRONS GOLD PLATED		
67490-3230	GOLD FLASH		
67490-3231	0.76 MICRONS GOLD PLATED	PURE TIN	PK-67490-005 (TAPE&REEL)
67490-3235	0.38 MICRONS GOLD PLATED		



- NOTES:
- MATERIAL:  
HOUSING: HIGH TEMPERATURE THERMAL PLASTIC  
GLASS FILLED, UL94V-0, COLOR: BLACK  
TERMINAL/FORKLOCK: COPPER ALLOY  
MYLAR: ADHENSIVE MYLAR 4.5MM X 15.5MM
  - TERMINAL PLATING:  
CONTACT AREA: GOLD PLATED  
SOLDERING TAIL: 1.27 MICRONS MINIMUM TIN PLATED  
UNDER PLATE: NICKEL 1.27 MICRONS MINIMUM NICKEL PLATED
  - FORKLOCK PLATING:  
1.27 MICRONS MINIMUM TIN PLATED OVERALL 1.27 MICRONS MINIMUM NICKEL UNDER-PLATED
  - △PACKAGING SPECIFICATION REFER TO PK-67490-00\*
  - PRODUCT SPECIFICATION REFER TO PS-67490-001
  - MATING PART: 67538,67489
  - PRODUCT COMPLIANT TO RoHS DIRECTIVE 2002/95/EC AND ELV 2000/53/EC.



<b>ADD PART NUMBER</b> EC NO: SH2008-0665 DRWN: LSONG09 2008/08/07 CHKD: XJ SONG 2008/08/13 APPR: HWANG 2008/09/01	<b>QUALITY SYMBOLS</b> ▽=0 ◻=0	<b>GENERAL TOLERANCES (UNLESS SPECIFIED)</b>		<b>DIMENSION STYLE</b> MM ONLY	<b>SCALE</b> 4:1	<b>DESIGN UNITS</b> METRIC	THIRD ANGLE PROJECTION
		4 PLACES ± --- ± --- 3 PLACES ± --- ± --- 2 PLACES ± 0.15 ± --- 1 PLACE ± 0.25 ± ---	mm INCH	DRAWN BY RICHARD	DATE '01/05/28	TITLE SATA SYSTEM PLUG R/A REVERSE TYPE	
		ANGULAR ± 3 °		CHECKED BY VINCENT	DATE '01/05/28	MOLEX INCORPORATED	
		DRAFT WHERE APPLICABLE MUST REMAIN WITHIN DIMENSIONS		APPROVED BY ERICK	DATE '01/05/28	DOCUMENT NO. SD-67490-001	
SIZE A3	THIS DRAWING CONTAINS INFORMATION THAT IS PROPRIETARY TO MOLEX INCORPORATED AND SHOULD NOT BE USED WITHOUT WRITTEN PERMISSION						