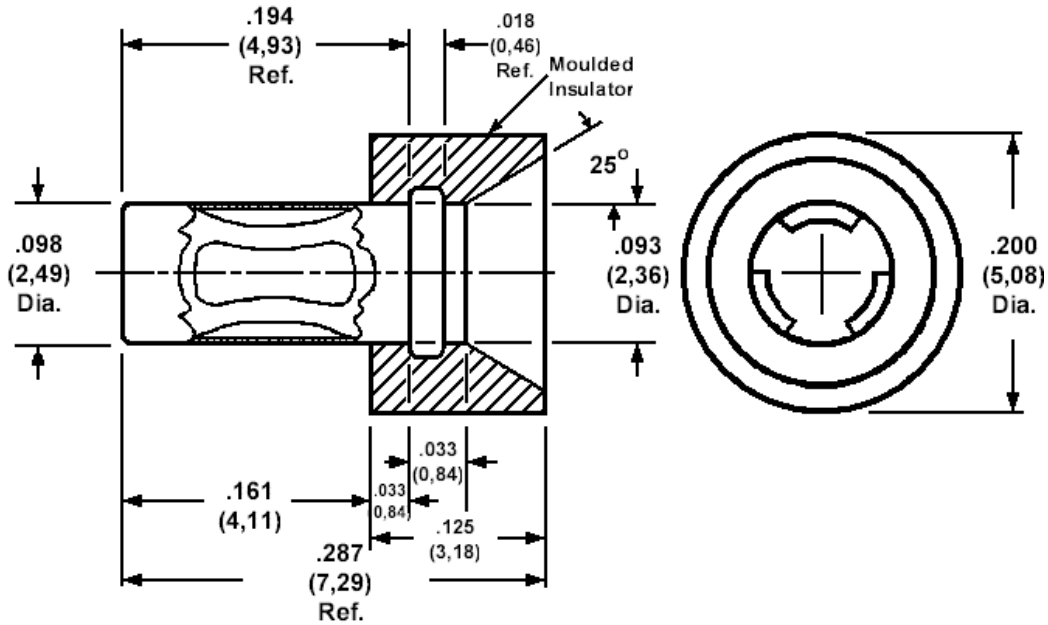


## 450-1826 Solder mount socket with moulded guided entry for .059 (1,52) to .062 (1,57) diameter pins

Recommended mounting hole .102 (2,59) ±.002 (0,05), #38 drill



Min hole depth .250 (6,35)

**How to order code**  
**450-1826-01-XX-20**  
 Basic Part No XX = Finish

MATERIALS				
Component	Material	Finish(-03)	Finish(-04)	Finish(-06)
Body	Brass	Gold over Nickel	Tin	Tin
Spring	Beryllium copper	Gold over Nickel	Tin	Gold over Nickel
Moulded guide	Nylon, glass filed	Natural colour, -55°C-105°C		